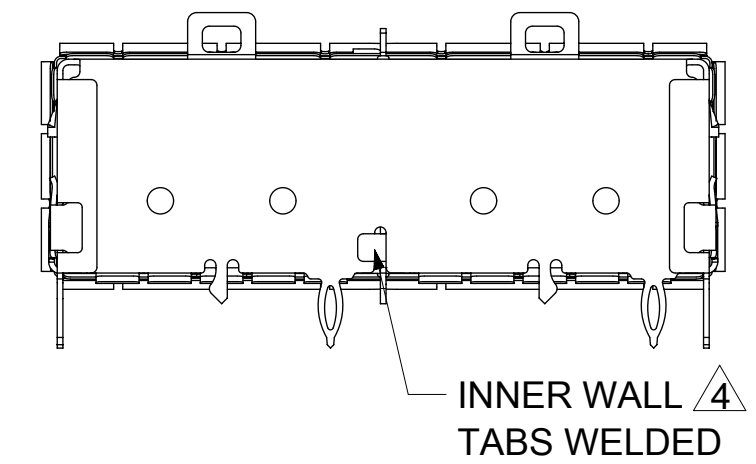
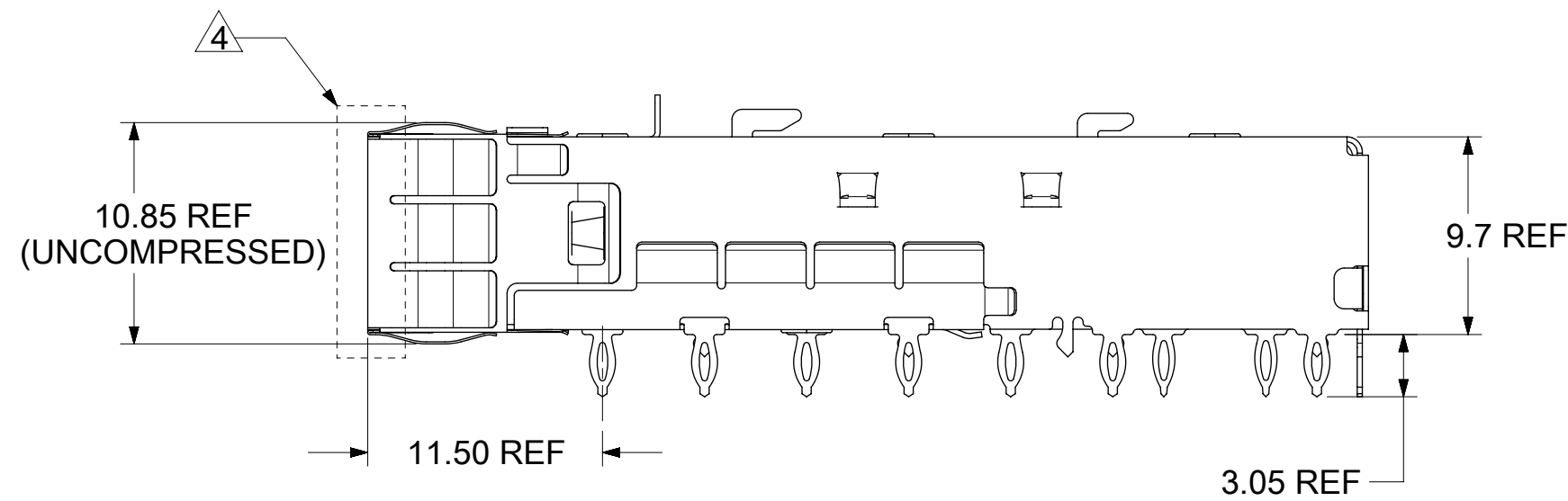
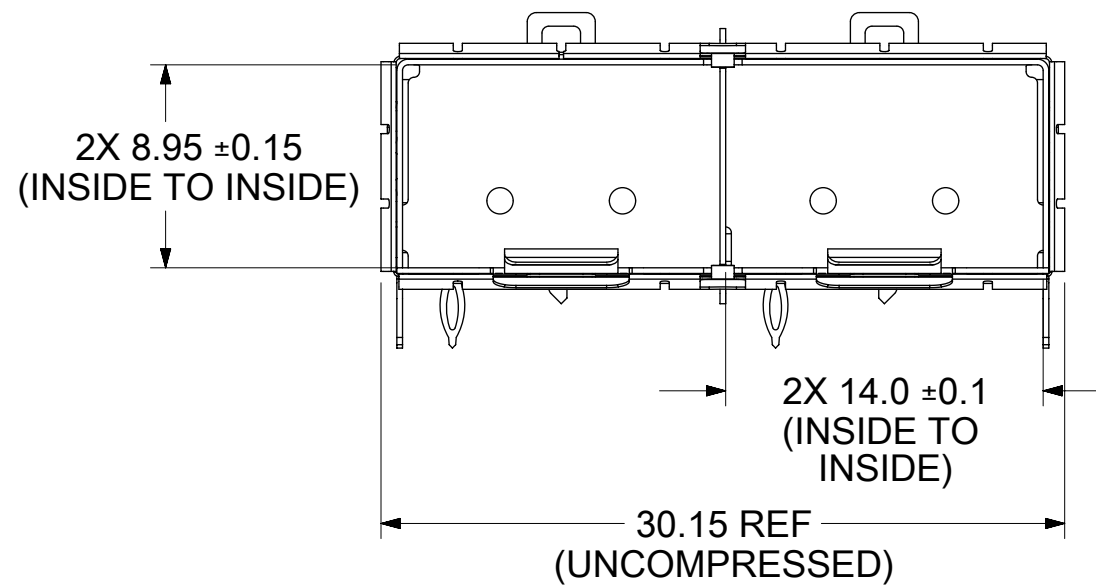
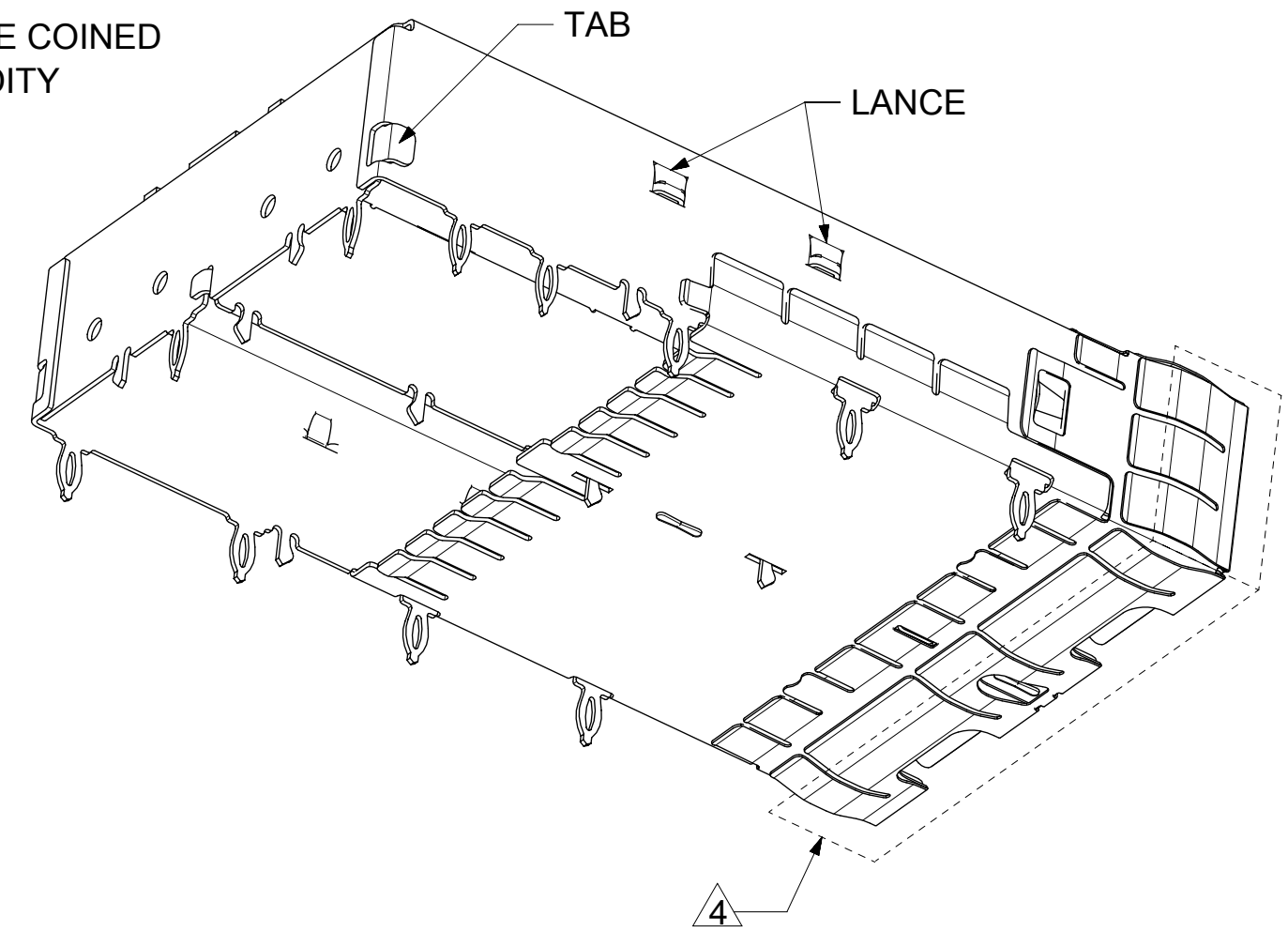
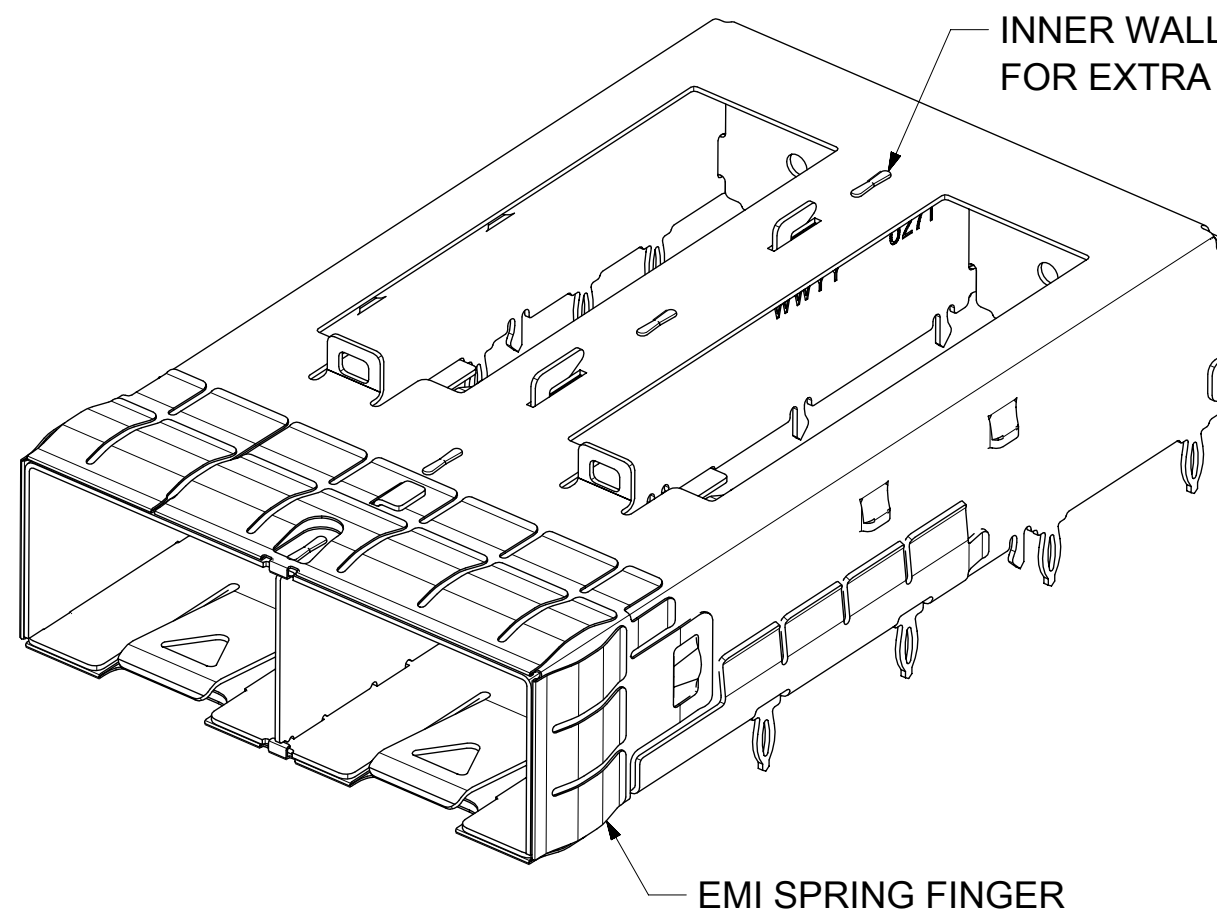
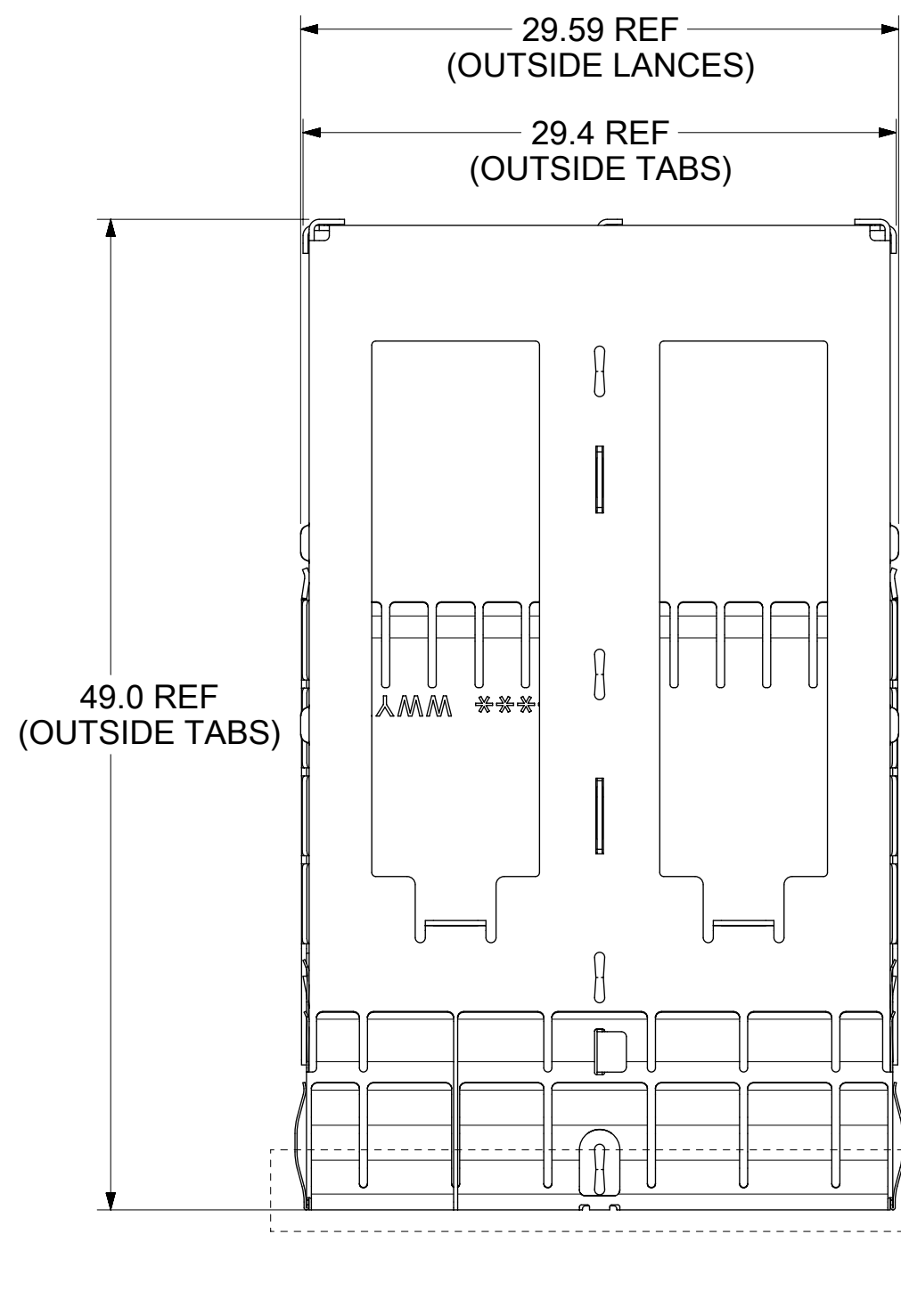


CAGE ASSEMBLY

HEAT SINK, LIGHT PIPE AND CLIP NOT SHOWN FOR CLARITY



NOTES:

1. MATERIAL:
CAGE: 0.25mm THICK COPPER ALLOY, NICKEL PLATED.
SPRING FINGERS: STAINLESS STEEL.
HEATSINK: ALUMINUM, BLACK ANODIZED
HEATSINK SPRING CLIP: STAINLESS STEEL.
2. PRESS FIT LEGS: 3.05MM LONG
3. PORTS ARE DESIGNED FOR SFP+ TRANSCEIVERS AND ARE COMPATIBLE WITH SFP TRANSCEIVERS. THE TOP SURFACE OF THE MODULE MUST BE FLAT (NO PRODUCT LABEL RECESS) AND THERMALLY CONDUCTIVE TO FUNCTION OPTIMALLY.
4. WELD SPOT MAY SHOW SLIGHT MATERIAL DISCOLORATION.
5. NO RoHS EXEMPTIONS.
6. 1.5mm MINIMUM PCB THICKNESS FOR SINGLE SIDED USE.
7. 3.0mm MINIMUM PCB THICKNESS FOR BELLY TO BELLY USE.

P/N	HEAT SINK	LIGHT PIPE	SHEET NO.
1111128283	CUSTOM SOLID HS	DUAL LIGHT PIPE	SHEET 2
1111128284	CUSTOM SOLID HS WITH TAIL	N/A	SHEET 3
1111128285	CUSTOM SOLID HS	DUAL LIGHT PIPE	SHEET 4

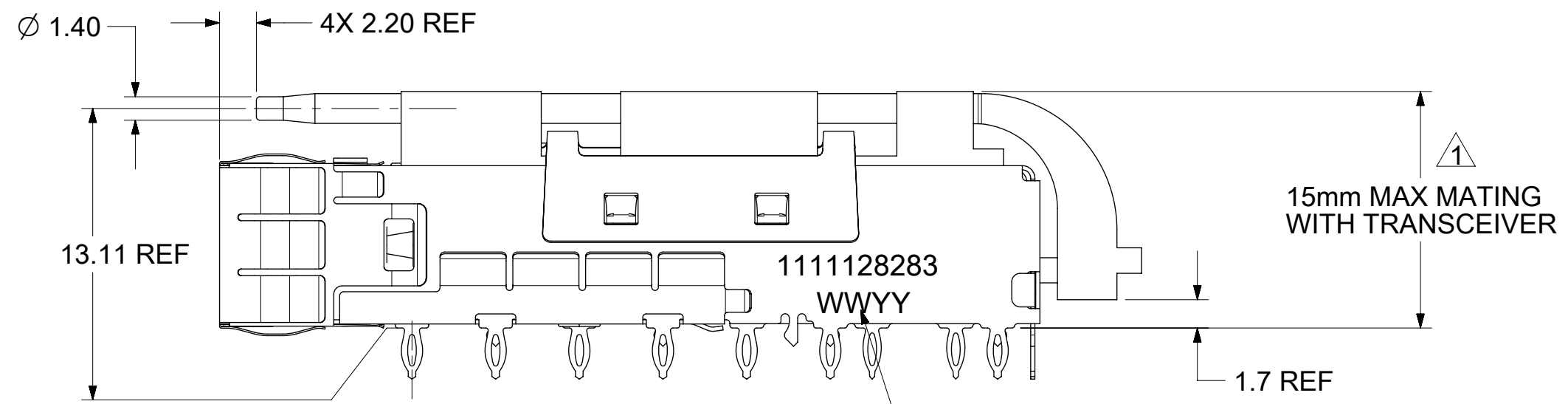
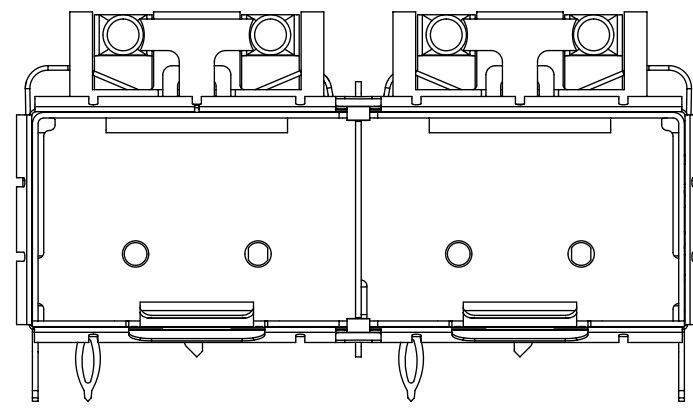
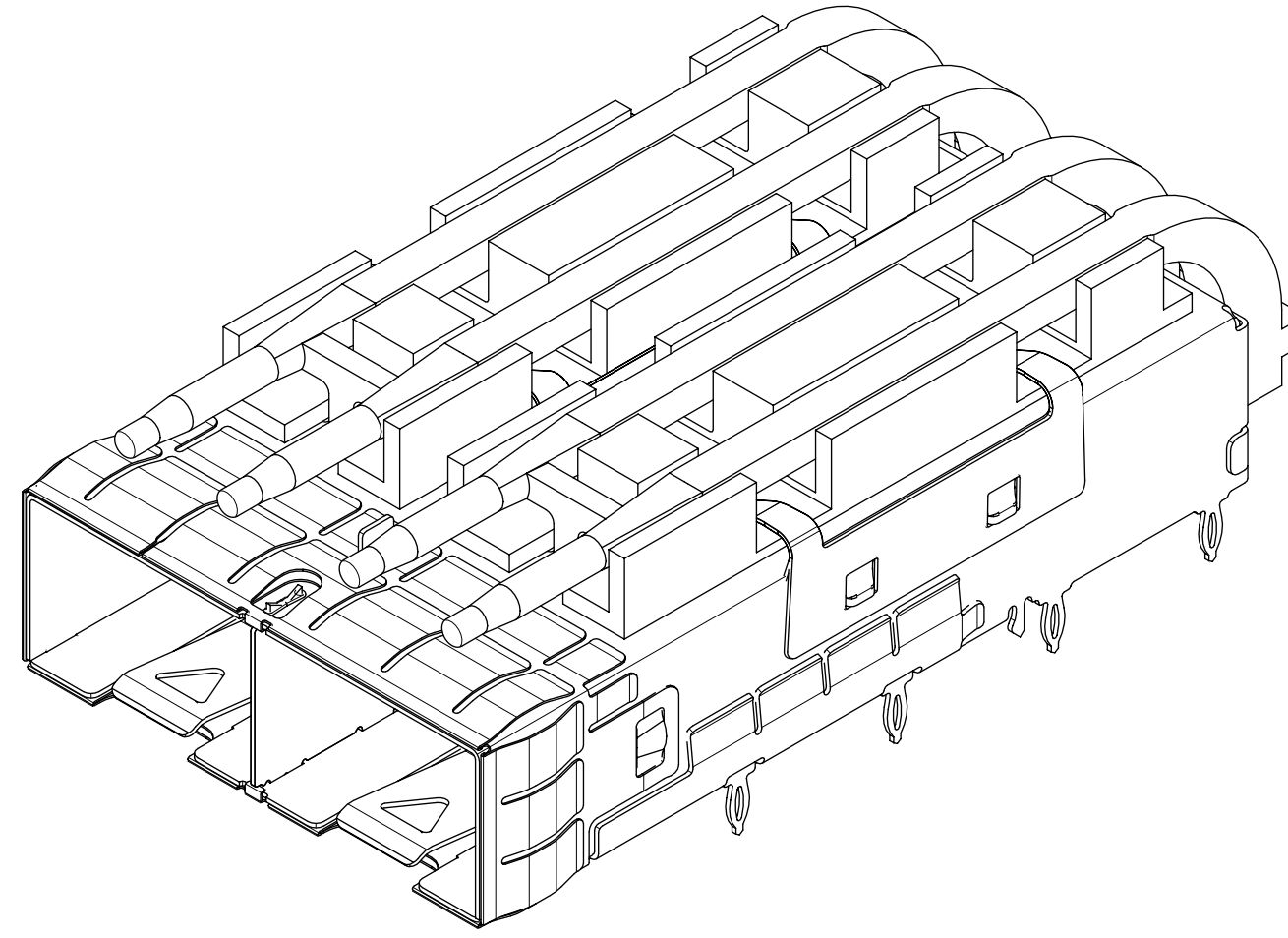
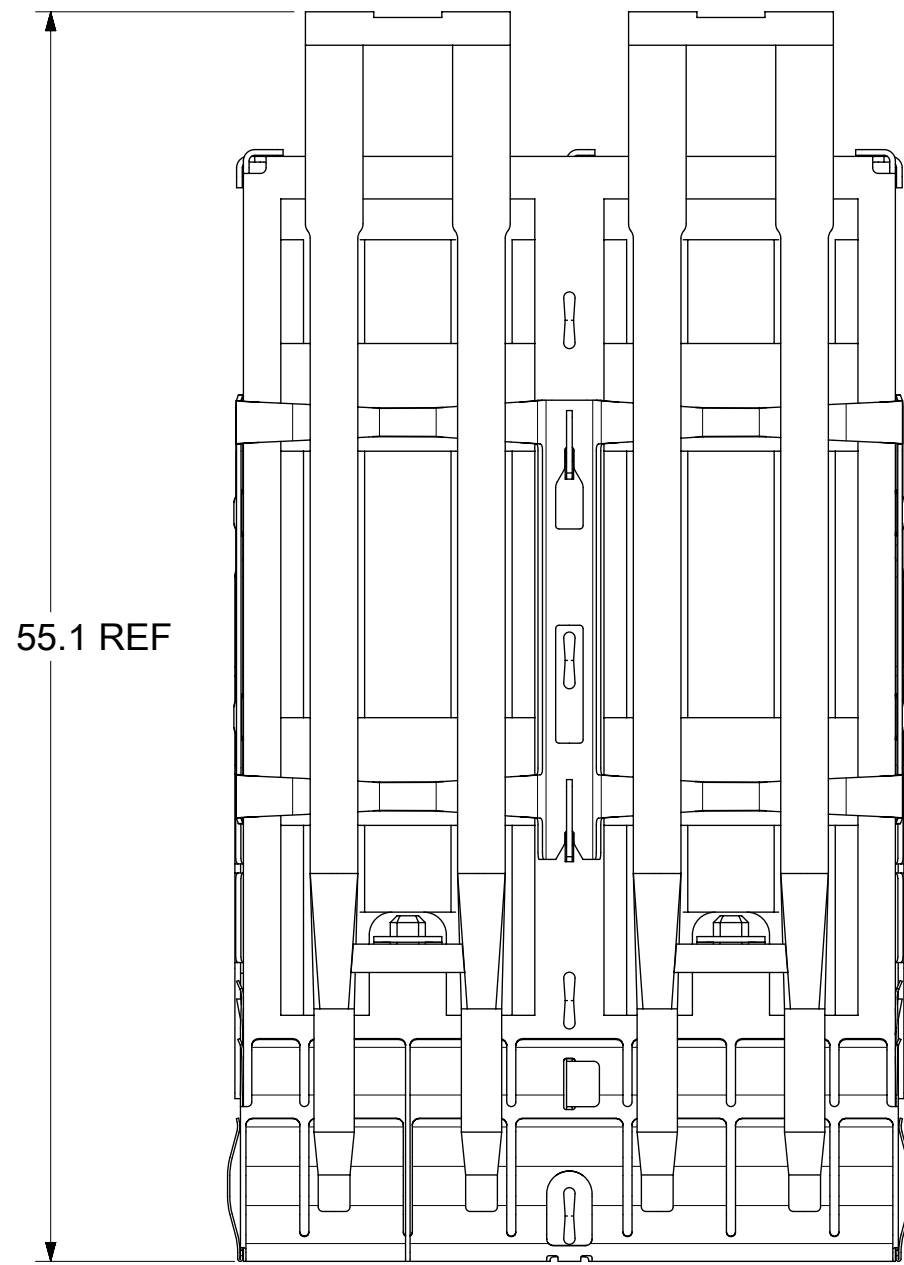
FUNCTIONAL SYMBOLS	THIS DRAWING CONTAINS INFORMATION THAT IS PROPRIETARY TO MOLEX ELECTRONIC TECHNOLOGIES, LLC AND SHOULD NOT BE USED WITHOUT WRITTEN PERMISSION		CURRENT REV DESC: SEE REVISION TABLE	
	DIMENSION UNITS	SCALE		
$\nabla_A = 0$	mm	3:1		
$\nabla_E = 0$	GENERAL TOLERANCES (UNLESS SPECIFIED)			
	ANGULAR TOL	± 2.0°		
DIVISIONAL SYMBOLS	4 PLACES	±	EC NO: 707262	
	3 PLACES	±	DRWN: ABHILT2	2022/04/12
	2 PLACES	± 0.13	CHK'D: TKUMARKC	2022/05/26
	1 PLACE	± 0.25	APPR: SCHIEN	2022/05/27
0 PLACES	±	INITIAL REVISION:		
DRAFT WHERE APPLICABLE MUST REMAIN WITHIN DIMENSIONS		THIRD ANGLE PROJECTION	DRAWING	SERIES
			C-SIZE	111112
			MATERIAL NUMBER	CUSTOMER
			SEE P/N TABLE	
			DOCUMENT NUMBER	DOC TYPE DOC PART REVISION
			1111128283	PSD ASY A
				SHEET NUMBER
				1 OF 9

DOCUMENT STATUS	P1	RELEASE DATE	2022/05/27	10:20:27
-----------------	----	--------------	------------	----------

CAGE ASSEMBLY W/ HEAT SINK & LIGHT PIPE

111128283

SHOWN



PART NO. AND WEEK/YEAR DATE CODE TO BE PRINTED ON THE SIDE OF COMPLETED CAGE ASSEMBLY APPROXIMATELY AS SHOWN.

WW	01 THRU 52 OR 53 EXAMPLE: 01= FIRST WEEK OF YEAR 52 = LAST WEEK OF YEAR
YY	22,23,24 ETC. EXAMPLE: YEAR 2022 = 22

NOTE: ¹ HEIGHT OF HEATSINK WITH MODULE INSERTED DIMENSION MAY BE LESS DUE TO MODULE AND HEATSINK VARIATIONS

FUNCTIONAL SYMBOLS $\nabla_A = 0$ $\nabla_C = 0$ $\nabla_P = 0$	THIS DRAWING CONTAINS INFORMATION THAT IS PROPRIETARY TO MOLEX ELECTRONIC TECHNOLOGIES, LLC AND SHOULD NOT BE USED WITHOUT WRITTEN PERMISSION		CURRENT REV DESC: SEE REVISION TABLE	
	DIMENSION UNITS	SCALE		
	mm	1:1		
	GENERAL TOLERANCES (UNLESS SPECIFIED)			
DIVISIONAL SYMBOLS 4 PLACES ± 3 PLACES ± 2 PLACES ± 0.13 1 PLACE ± 0.25 0 PLACES ±	ANGULAR TOL ± 2.0°		EC NO: 707262	
			DRWN: ABHILT2 2022/04/12	
			CHK'D: TKUMARKC 2022/05/26	
			APPR: SCHIEN 2022/05/27	
DRAFT WHERE APPLICABLE MUST REMAIN WITHIN DIMENSIONS		THIRD ANGLE PROJECTION	DRAWING	SERIES
			C-SIZE	111112
DOCUMENT STATUS		RELEASE DATE	MATERIAL NUMBER	CUSTOMER
P1	2022/05/27 10:20:27	SEE P/N TABLE		
DOCUMENT NUMBER			DOC TYPE	DOC PART
111128283			PSD	ASY
SHEET NUMBER			REVISION	
2 OF 9			A	

molex

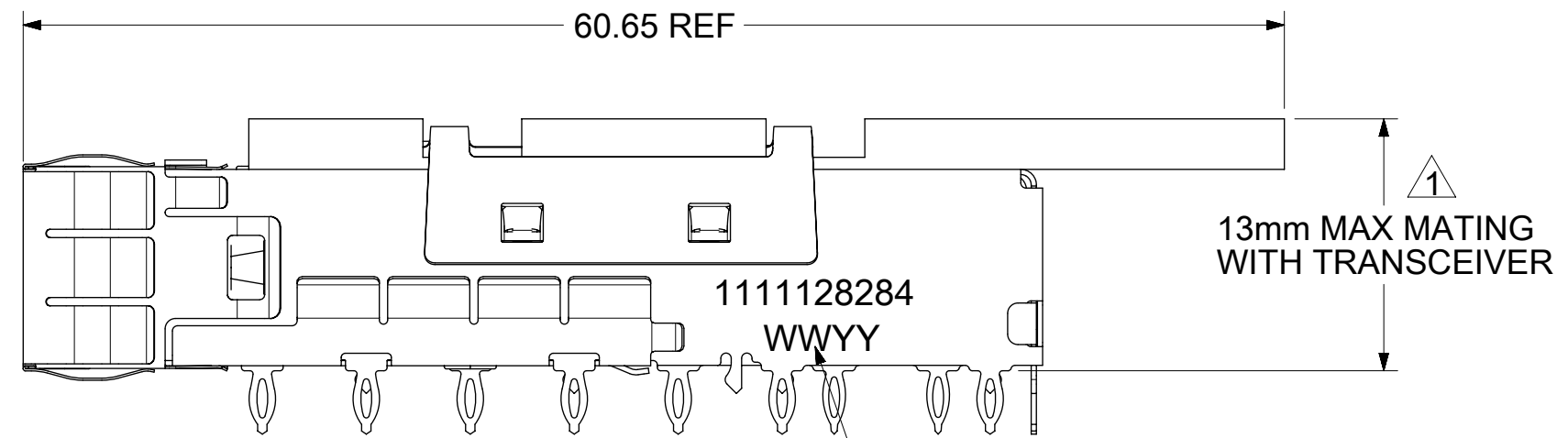
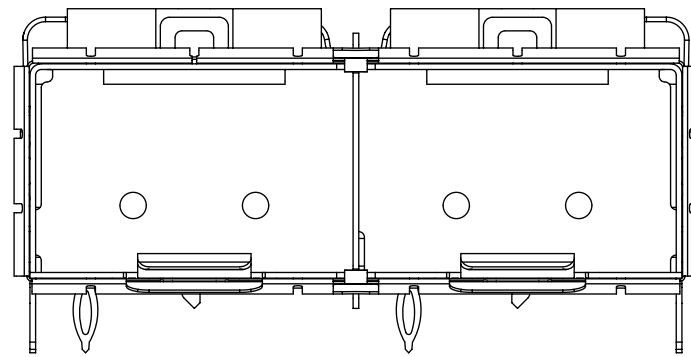
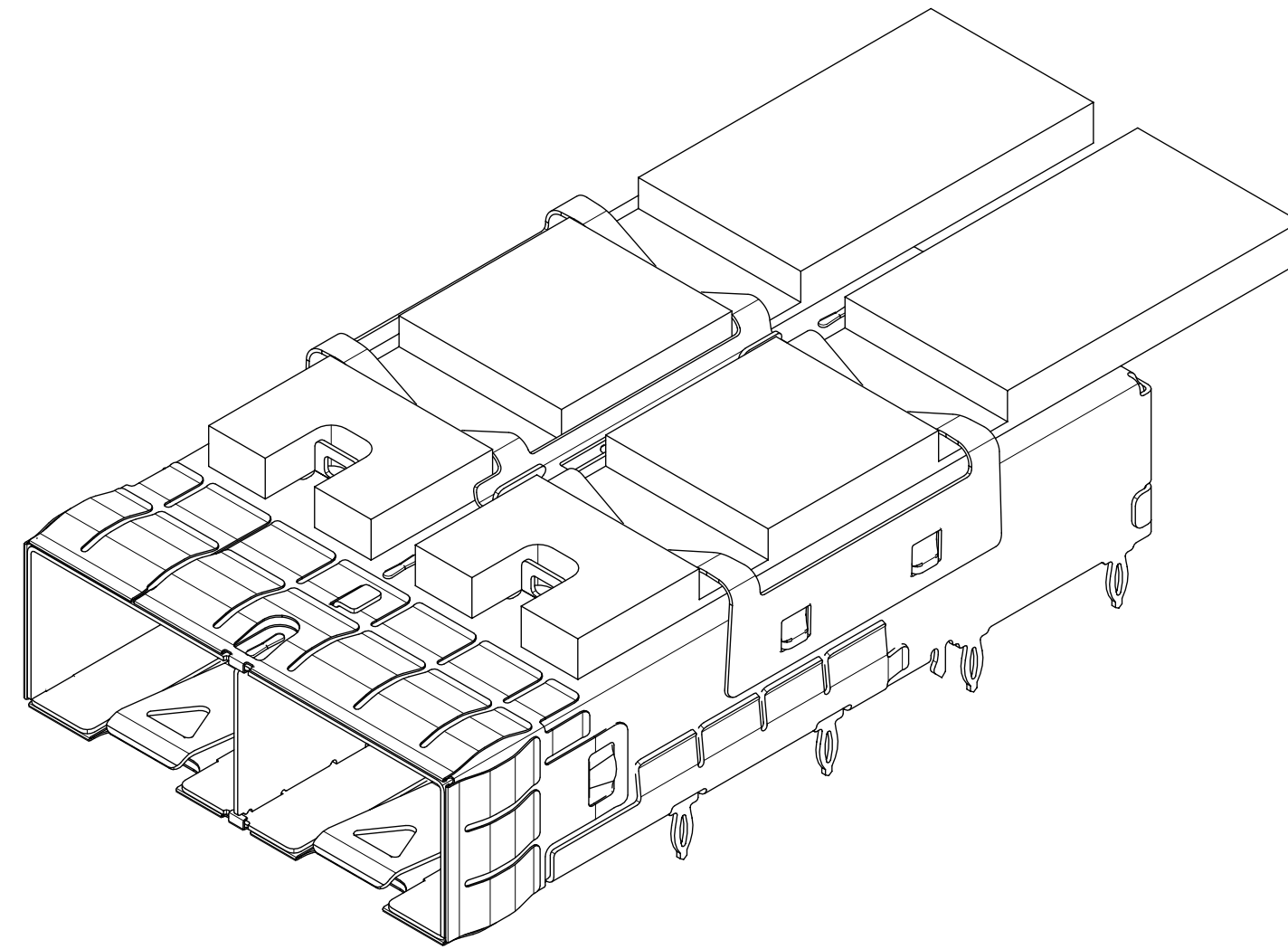
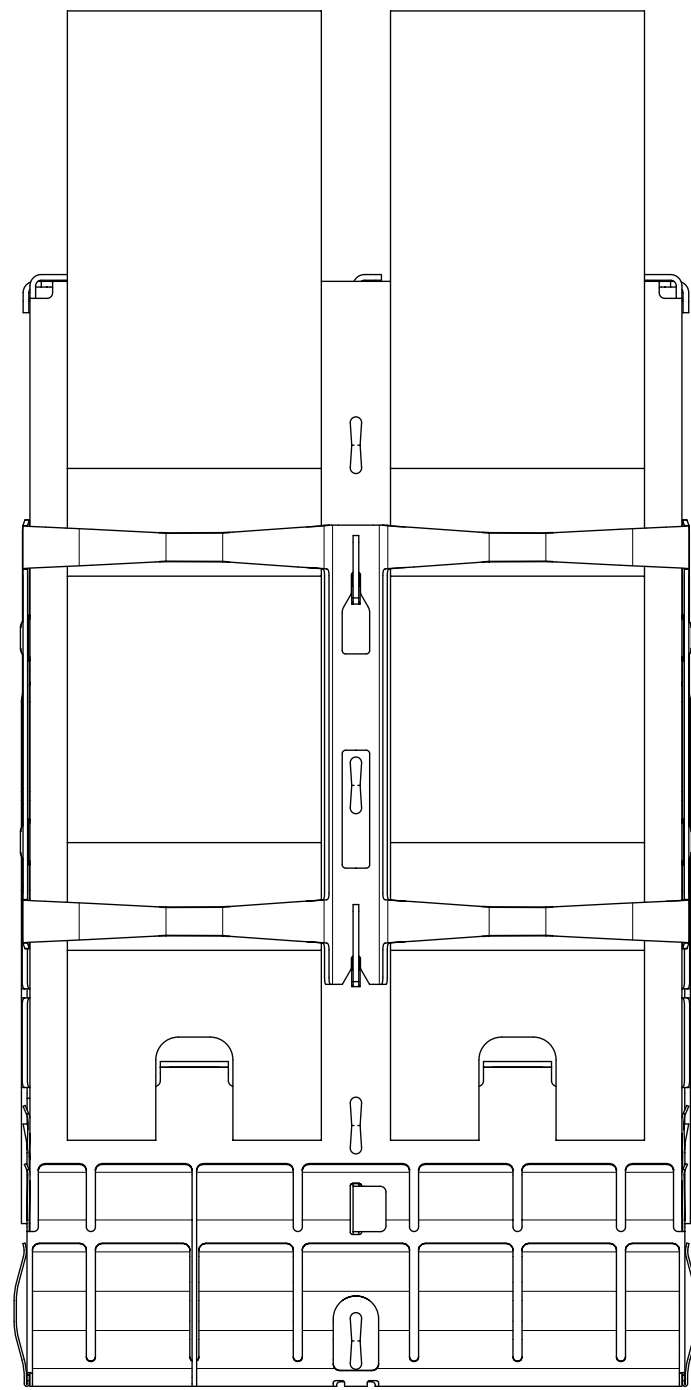
SFP+ 1X2 CAGE ASSY PRESS FIT TYPE
W/ SUS SF, CUSTOM HEATSINK AND DUAL LP, BELLY TO BELLY MOUNTING

PRODUCT CUSTOMER DRAWING

CAGE ASSEMBLY W/ HEAT SINK

111128284

SHOWN



PART NO. AND WEEK/YEAR DATE CODE TO BE PRINTED ON THE SIDE OF COMPLETED CAGE ASSEMBLY APPROXIMATELY AS SHOWN.

WW	01 THRU 52 OR 53 EXAMPLE: 01= FIRST WEEK OF YEAR 52 = LAST WEEK OF YEAR
YY	22,23,24 ETC. EXAMPLE: YEAR 2022 = 22

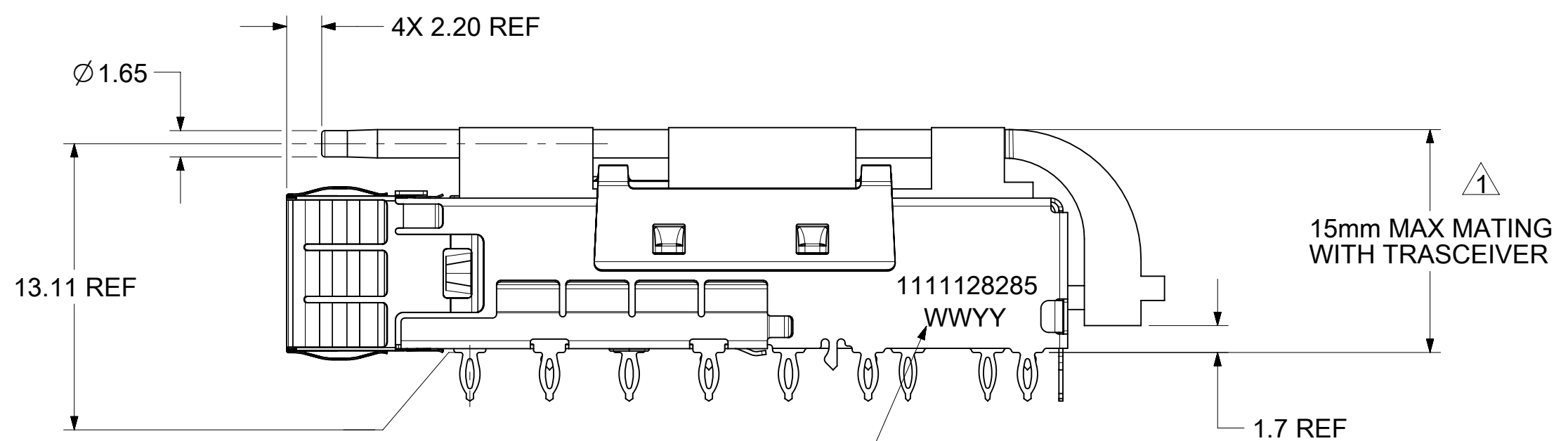
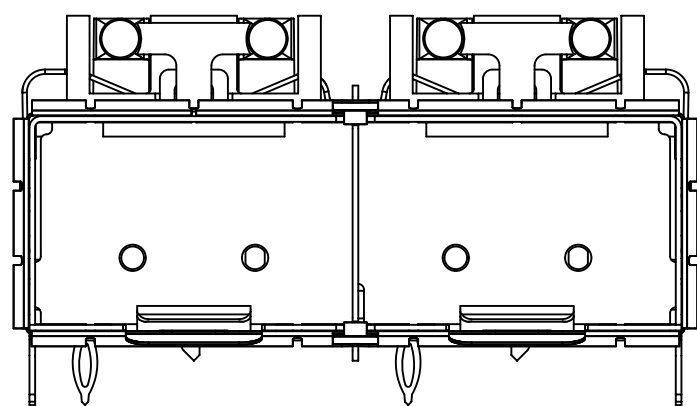
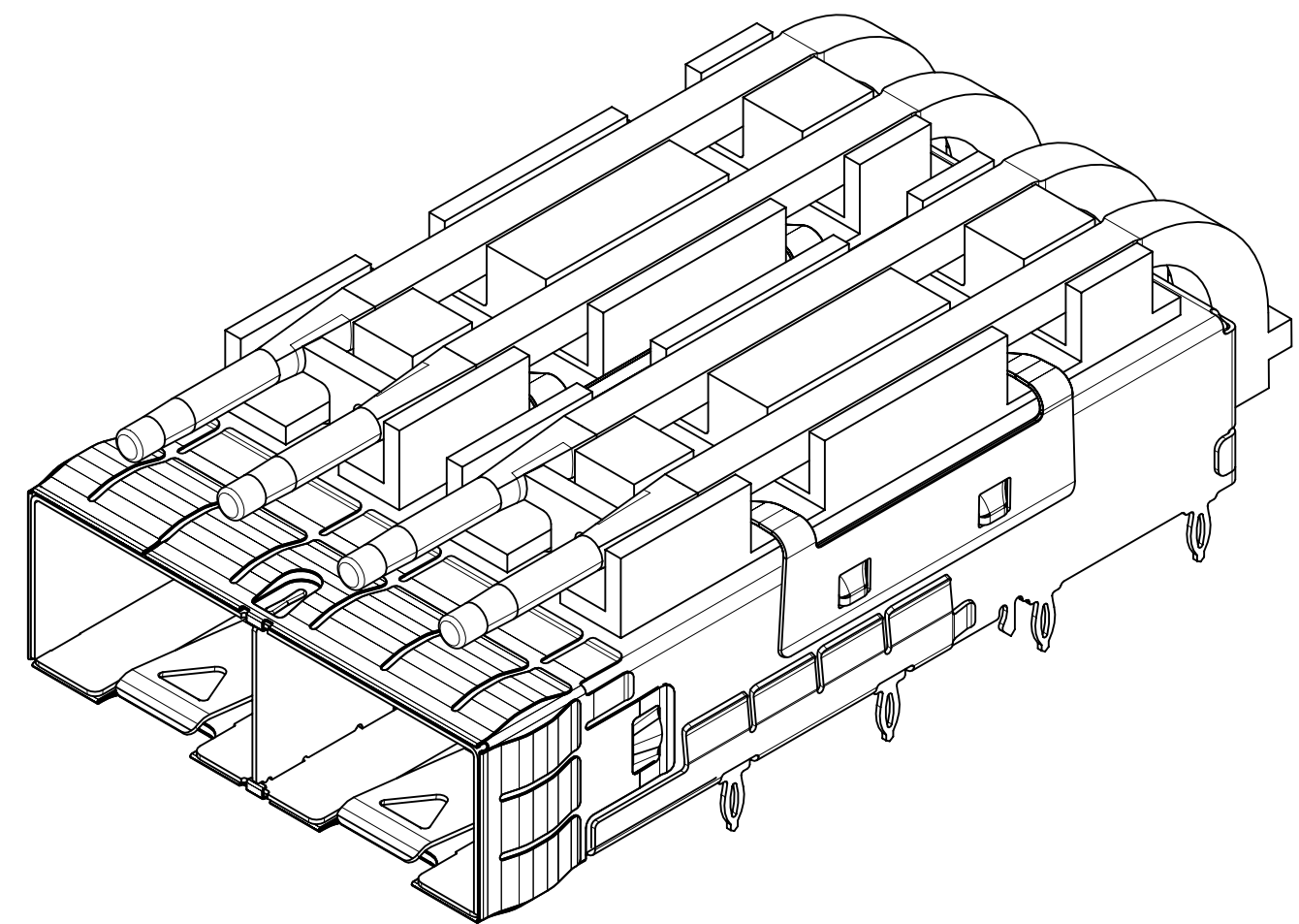
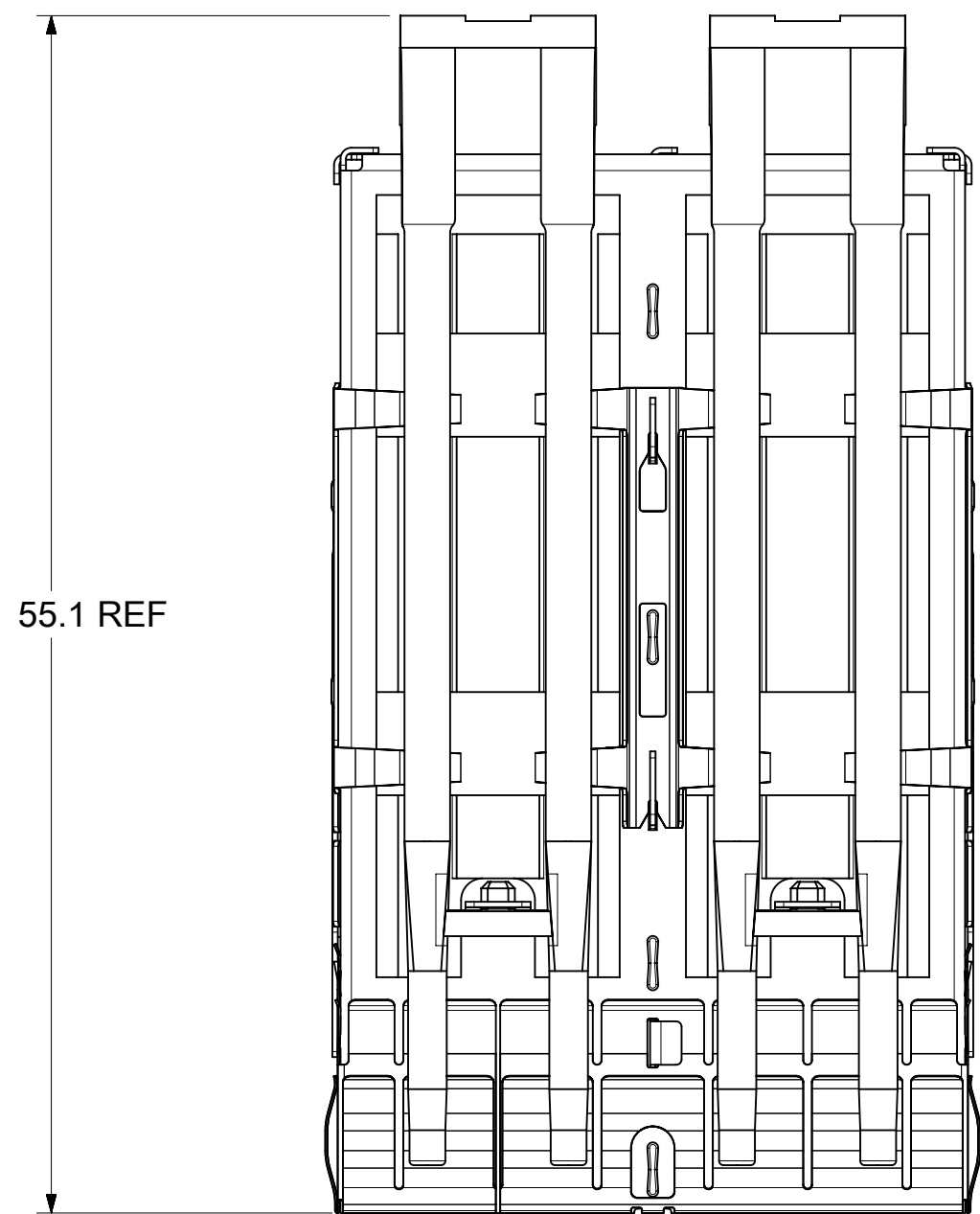
NOTE: HEIGHT OF HEATSINK WITH MODULE INSERTED DIMENSION MAY BE LESS DUE TO MODULE AND HEATSINK VARIATIONS

FUNCTIONAL SYMBOLS		THIS DRAWING CONTAINS INFORMATION THAT IS PROPRIETARY TO MOLEX ELECTRONIC TECHNOLOGIES, LLC AND SHOULD NOT BE USED WITHOUT WRITTEN PERMISSION		CURRENT REV DESC: SEE REVISION TABLE			
DIMENSION UNITS		SCALE		EC NO: 707262			
mm		3:1		DRWN: ABHILT2		DOCUMENT NUMBER	
GENERAL TOLERANCES (UNLESS SPECIFIED)		ANGULAR TOL ± 2.0°		CHK'D: TKUMARKC		DOC TYPE DOC PART REVISION	
4 PLACES ±		3 PLACES ±		APPR: SCHIEN		111128283	
3 PLACES ±		2 PLACES ± 0.13		INITIAL REVISION:		PSD ASY A	
2 PLACES ±		1 PLACE ± 0.25		DRWN: ABHILT2		MATERIAL NUMBER	
1 PLACE ±		0 PLACES ±		APPR: SCHIEN		CUSTOMER	
DRAFT WHERE APPLICABLE MUST REMAIN WITHIN DIMENSIONS		THIRD ANGLE PROJECTION		DRAWING		SHEET NUMBER	
				C-SIZE		SEE P/N TABLE	
				SERIES		3 OF 9	
				111112			

CAGE ASSEMBLY W/ HEAT SINK

111128285

SHOWN



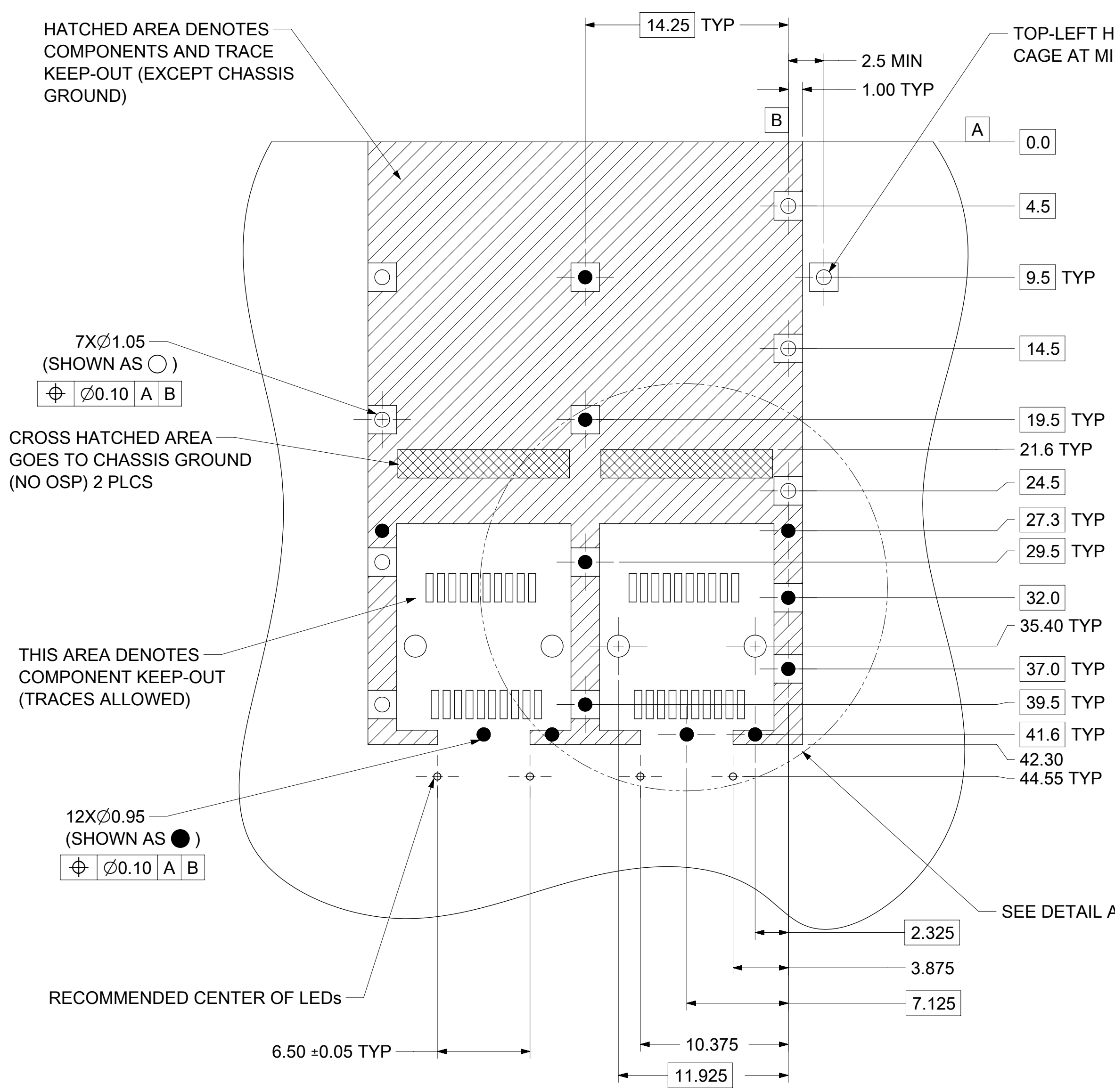
PART NO. AND WEEK/YEAR DATE CODE TO BE PRINTED ON THE SIDE OF COMPLETED CAGE ASSEMBLY APPROXIMATELY AS SHOWN.

WW	01 THRU 52 OR 53 EXAMPLE: 01= FIRST WEEK OF YEAR 52 = LAST WEEK OF YEAR
YY	22,23,24 ETC. EXAMPLE: YEAR 2022 = 22

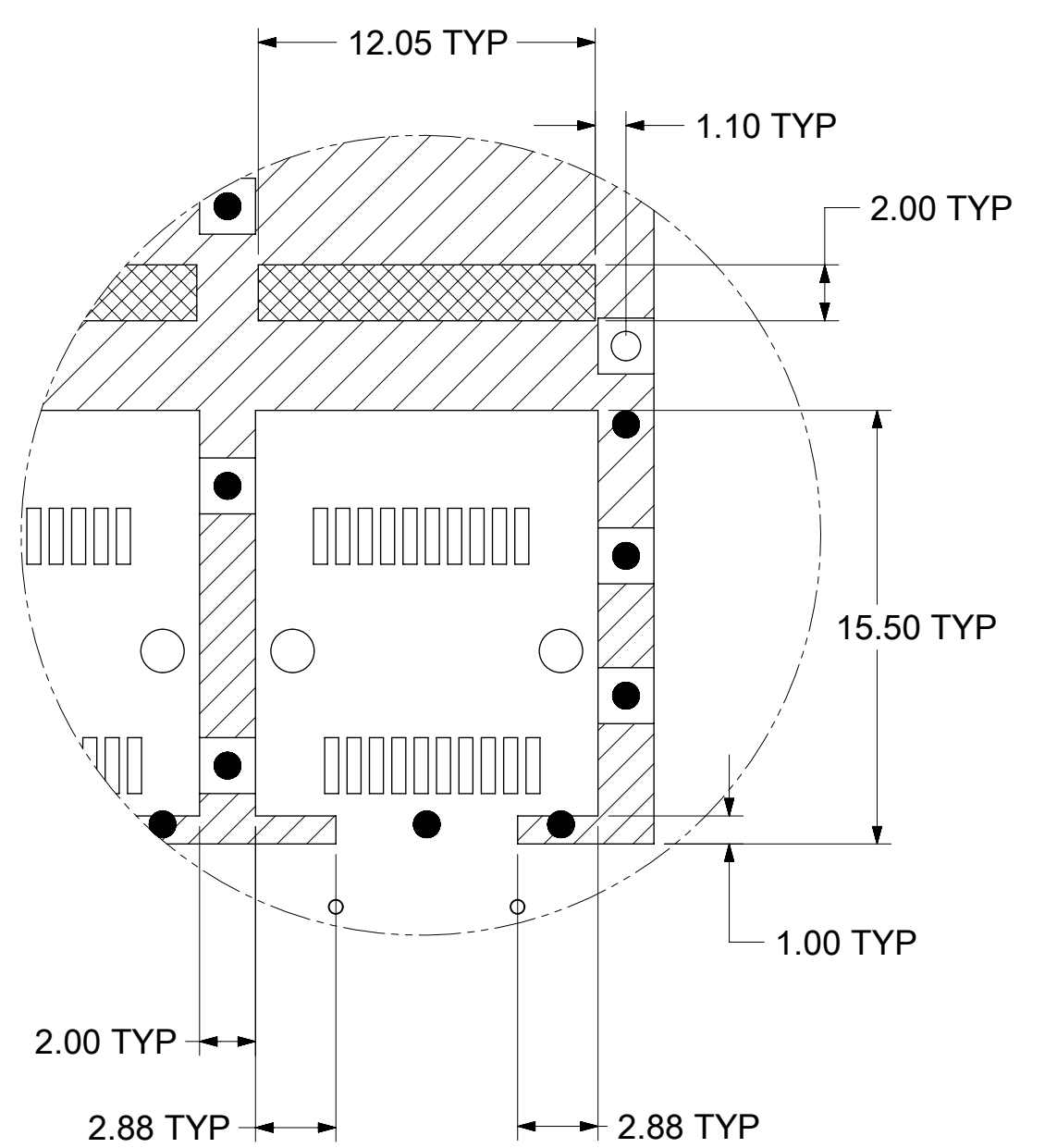
NOTE: HEIGHT OF HEATSINK WITH MODULE INSERTED DIMENSION MAY BE LESS DUE TO MODULE AND HEATSINK VARIATIONS

FUNCTIONAL SYMBOLS	THIS DRAWING CONTAINS INFORMATION THAT IS PROPRIETARY TO MOLEX ELECTRONIC TECHNOLOGIES, LLC AND SHOULD NOT BE USED WITHOUT WRITTEN PERMISSION		
= 0	DIMENSION UNITS	SCALE	CURRENT REV DESC: SEE REVISION TABLE
= 0	mm	3:1	
= 0	GENERAL TOLERANCES (UNLESS SPECIFIED)		
	ANGULAR TOL ± 2.0°		
DIVISIONAL SYMBOLS	4 PLACES ±	EC NO: 707262	
	3 PLACES ±	DRWN: ABHILT2	2022/04/12
	2 PLACES ± 0.13	CHK'D: TKUMARKC	2022/05/26
	1 PLACE ± 0.25	APPR: SCHIEN	2022/05/27
	0 PLACES ±	INITIAL REVISION:	
		DRWN: ABHILT2	2022/04/12
		APPR: SCHIEN	2022/05/27
DRAFT WHERE APPLICABLE MUST REMAIN WITHIN DIMENSIONS	THIRD ANGLE PROJECTION	DRAWING	SERIES
		C-SIZE	111112
DOCUMENT STATUS	P1	RELEASE DATE	2022/05/27 10:20:27
DOCUMENT NUMBER		DOC TYPE	DOC PART
111128283		PSD	ASY
MATERIAL NUMBER		CUSTOMER	SHEET NUMBER
SEE P/N TABLE			4 OF 9

PCB LAYOUT FOR SINGLE SIDE MOUNTING



HOST CONNECTOR DETAIL

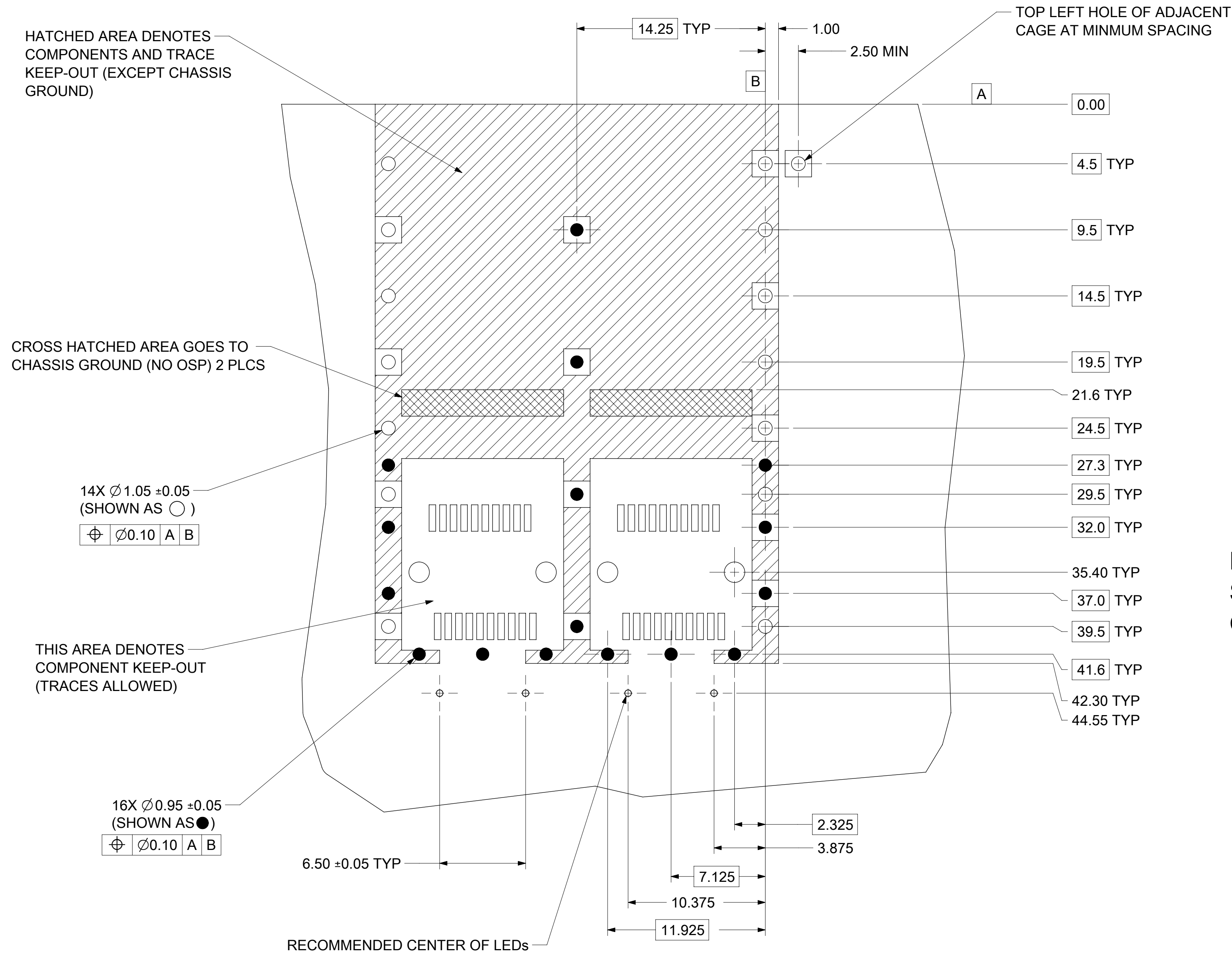


DETAIL A
SCALE 4:1

- NOTES:
1. PADS AND VIAS CONNECT TO CHASSIS GROUND RECOMMEND PADS TO BE 2.00mm SQUARE
 2. RECOMMENDED THRU HOLE PLATING INCLUDES HASL, OSP, OR IMMERSION (GOLD, SILVER, OR TIN)
 3. CONNECTOR PAD LAYOUT PER SFP+ MSA WILL ACCOMODATE MOLEX CONNECTOR SERIES 74441 OR EQUIVALENT.
 4. SPACING BETWEEN PORTS IS 14.25mm

FUNCTIONAL SYMBOLS $\nabla_A = 0$ $\nabla_C = 0$ $\nabla_P = 0$	THIS DRAWING CONTAINS INFORMATION THAT IS PROPRIETARY TO MOLEX ELECTRONIC TECHNOLOGIES, LLC AND SHOULD NOT BE USED WITHOUT WRITTEN PERMISSION		CURRENT REV DESC: SEE REVISION TABLE		
	DIMENSION UNITS	SCALE	EC NO: 707262		
	mm	4:1	DRWN: ABHILT2	2022/04/12	
	GENERAL TOLERANCES (UNLESS SPECIFIED)		CHK'D: TKUMARKC	2022/05/26	
ANGULAR TOL ± 2.0°		APPR: SCHIEN	2022/05/27		
DIVISIONAL SYMBOLS 4 PLACES ± 3 PLACES ± 2 PLACES ± 0.13 1 PLACE ± 0.25 0 PLACES ±	INITIAL REVISION:		DOCUMENT NUMBER		
	DRWN: ABHILT2		2022/04/12	1111128283	
	APPR: SCHIEN		2022/05/27	PSD ASY A	
	DRAFT WHERE APPLICABLE MUST REMAIN WITHIN DIMENSIONS		THIRD ANGLE PROJECTION	DRAWING	SERIES
		C-SIZE	111112	MATERIAL NUMBER	
				CUSTOMER	
				SHEET NUMBER	
				5 OF 9	

PCB LAYOUT FOR BELLY TO BELLY MOUNTING



NOTE:
SEE SHEET 5 FOR HOST CONNECTOR DETAIL

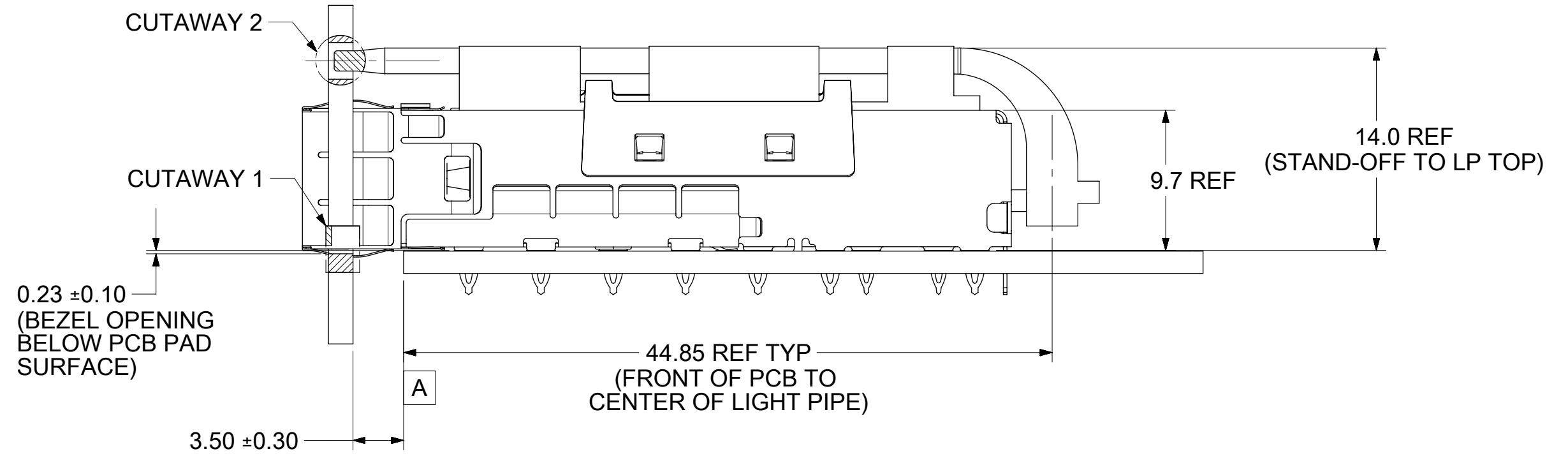
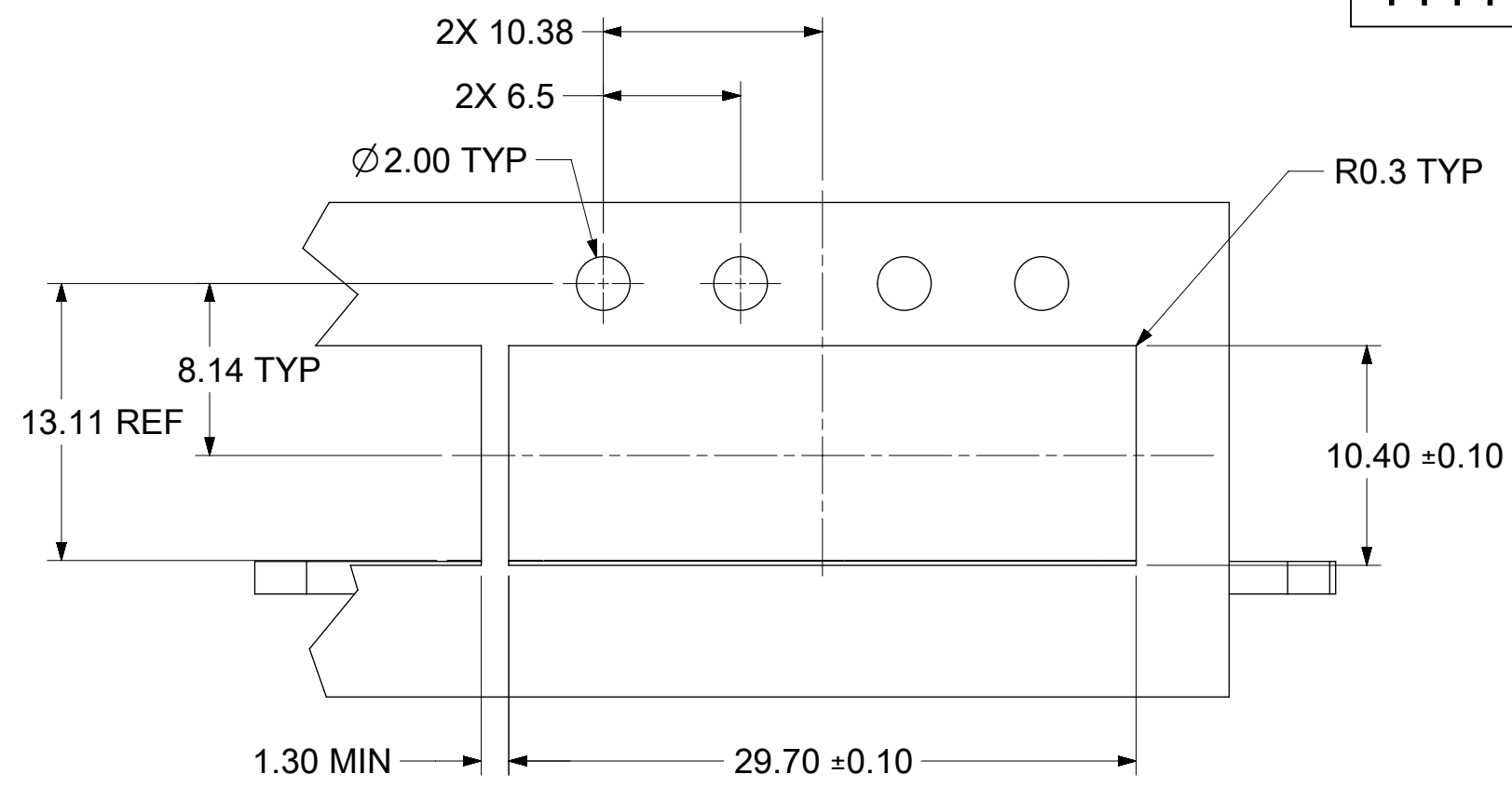
- NOTES:**
1. PADS AND VIAS CONNECT TO CHASSIS GROUND RECOMMEND PADS TO BE 2.00mm SQUARE
 2. RECOMMENDED THRU HOLE PLATING INCLUDES HASL, OSP, OR IMMERSION (GOLD, SILVER, OR TIN)
 3. CONNECTOR PAD LAYOUT PER SFP+ MSA WILL ACCOMODATE MOLEX CONNECTOR SERIES 74441 OR EQUIVALENT.
 4. SPACING BETWEEN PORTS IS 14.25mm

FUNCTIONAL SYMBOLS	THIS DRAWING CONTAINS INFORMATION THAT IS PROPRIETARY TO MOLEX ELECTRONIC TECHNOLOGIES, LLC AND SHOULD NOT BE USED WITHOUT WRITTEN PERMISSION		CURRENT REV DESC: SEE REVISION TABLE	
	DIMENSION UNITS	SCALE		
$\frac{F}{A} = 0$	mm	4.5:1		
$\frac{E}{C} = 0$	GENERAL TOLERANCES (UNLESS SPECIFIED)			
	ANGULAR TOL ± 2.0°			
DIVISIONAL SYMBOLS	4 PLACES	±		
	3 PLACES	±		
	2 PLACES	± 0.13		
	1 PLACE	± 0.25		
0 PLACES	±			
DRAFT WHERE APPLICABLE MUST REMAIN WITHIN DIMENSIONS		THIRD ANGLE PROJECTION	DRAWING	SERIES
			C-SIZE	111112
DOCUMENT STATUS		DOC TYPE	DOC PART	REVISION
P1	RELEASE DATE	PSD	ASY	A
2022/05/27	10:20:27	111128283		
MATERIAL NUMBER		CUSTOMER		SHEET NUMBER
SEE P/N TABLE				6 OF 9

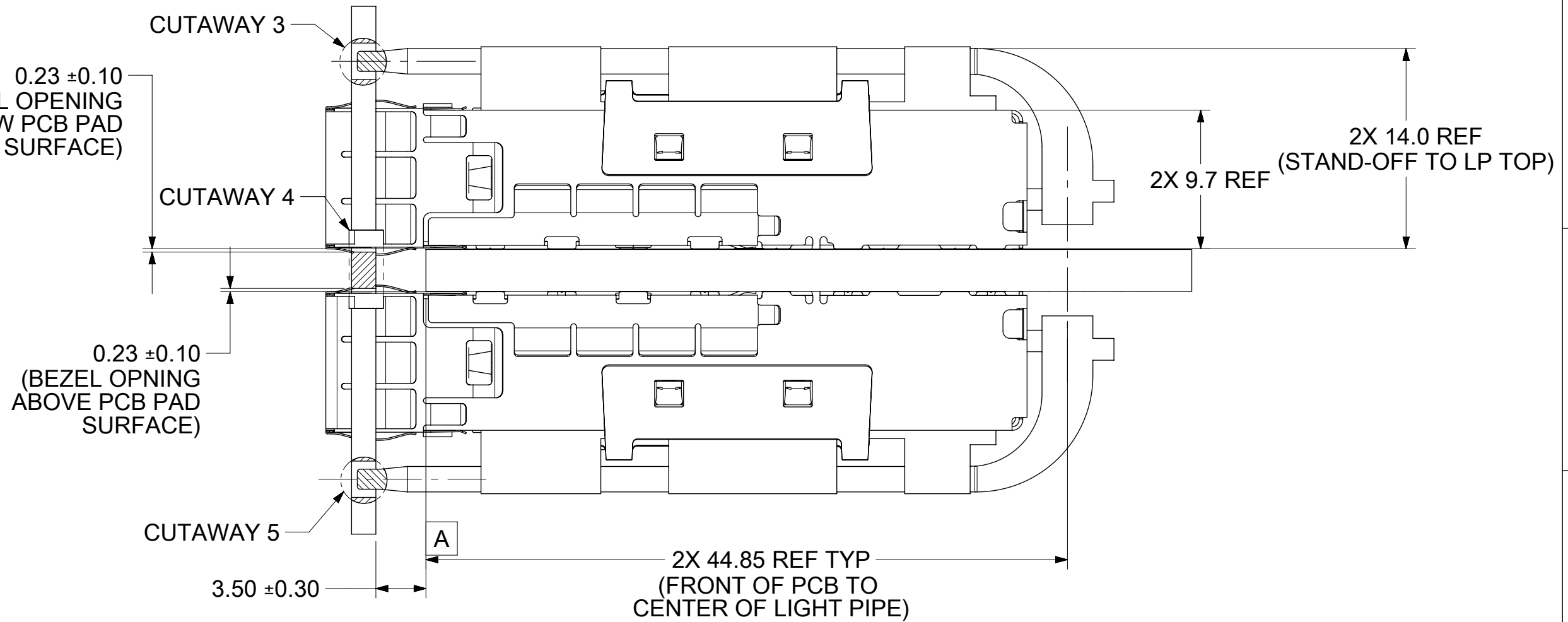
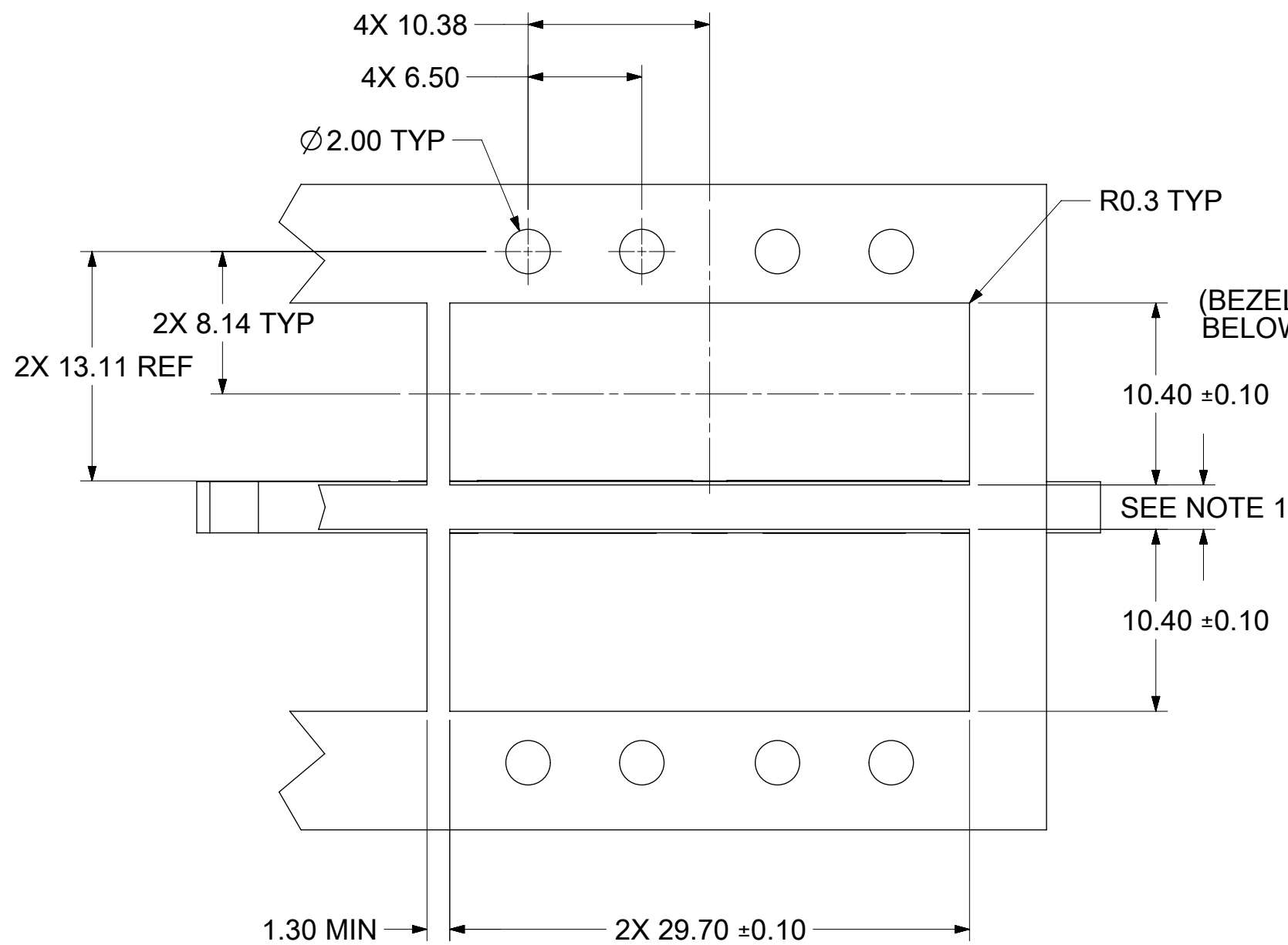
BEZEL AND BOARD POSITION DIMENSIONS FOR SINGLE SIDE MOUNTING

1111128283 & 1111128285

SHOWN



BEZEL AND BOARD POSITION DIMENSIONS FOR BELLY TO BELLY MOUNTING



NOTE:
1.PCB THICKNESS VARIATION MUST BE CONSIDERED WHEN DETERMINING BEZEL OPENING LOCATION.

FUNCTIONAL SYMBOLS	THIS DRAWING CONTAINS INFORMATION THAT IS PROPRIETARY TO MOLEX ELECTRONIC TECHNOLOGIES, LLC AND SHOULD NOT BE USED WITHOUT WRITTEN PERMISSION		CURRENT REV DESC: SEE REVISION TABLE	
	DIMENSION UNITS	SCALE		
$\nabla_A = 0$	mm	3:1		
$\nabla_C = 0$	GENERAL TOLERANCES (UNLESS SPECIFIED)			
	ANGULAR TOL $\pm 2.0^\circ$			
DIVISIONAL SYMBOLS	4 PLACES	\pm	EC NO: 707262	
	3 PLACES	\pm	DRWN: ABHILT2	2022/04/12
	2 PLACES	± 0.13	CHK'D: TKUMARKC	2022/05/26
	1 PLACE	± 0.25	APPR: SCHIEN	2022/05/27
0 PLACES	\pm	INITIAL REVISION:		
DRAFT WHERE APPLICABLE MUST REMAIN WITHIN DIMENSIONS		THIRD ANGLE PROJECTION	DRAWING	SERIES
			C-SIZE	111112
DOCUMENT STATUS		P1	RELEASE DATE	2022/05/27 10:20:27
12		11	10	9
8		7	6	5
4		3	2	1
MATERIAL NUMBER		CUSTOMER	DOC TYPE	DOC PART
SEE P/N TABLE			PSD	ASY
SHEET NUMBER		7 OF 9		

molex

SFP+ 1X2 CAGE ASSY PRESS FIT TYPE
W/ SUS SF, CUSTOM HEATSINK AND DUAL LP, BELLY
TO BELLY MOUNTING

PRODUCT CUSTOMER DRAWING

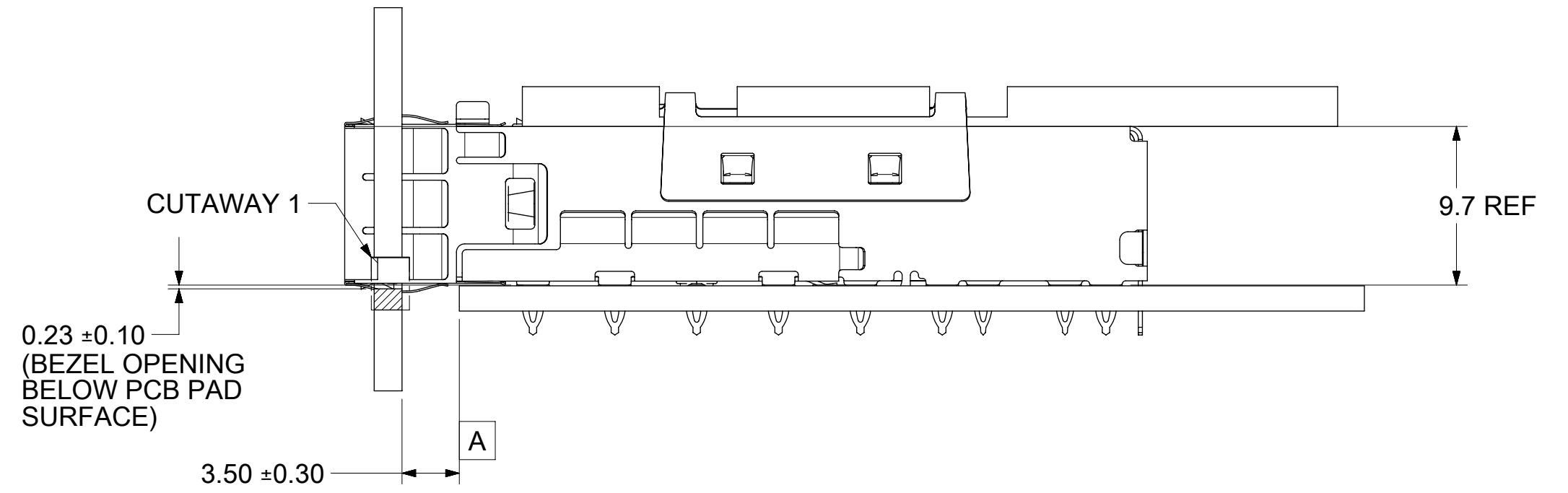
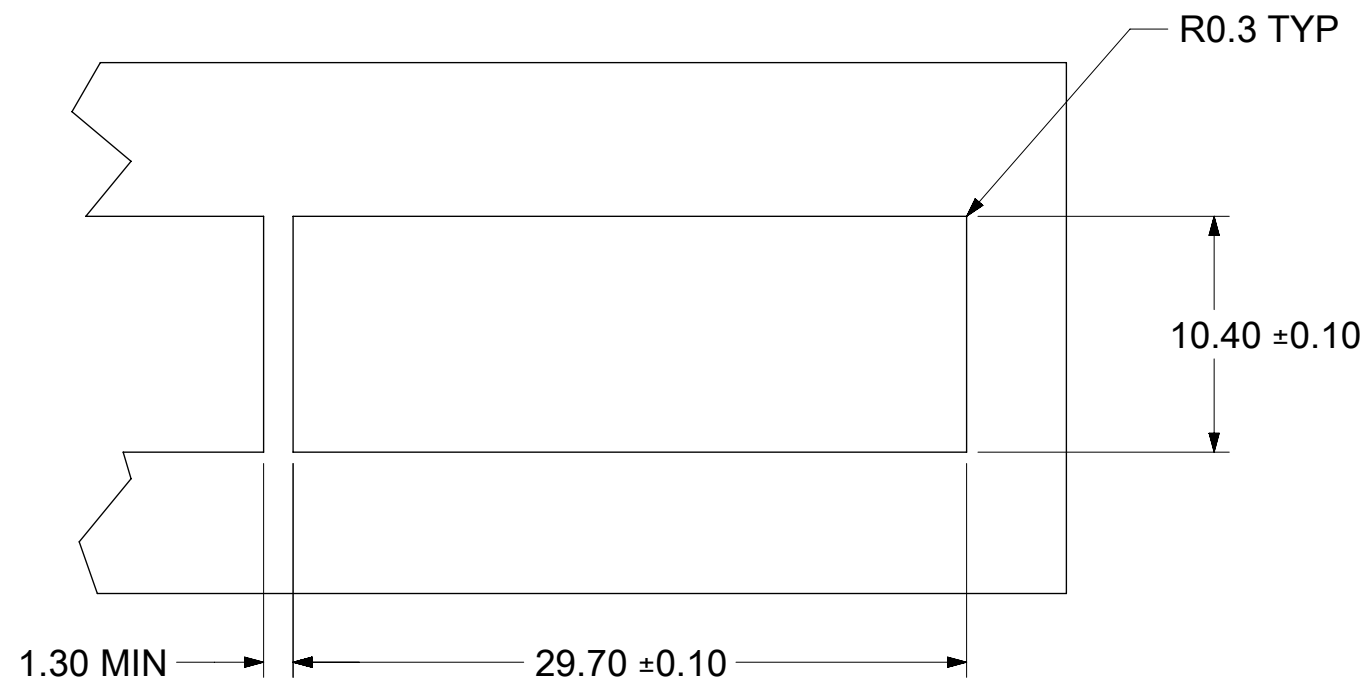
1111128283

PSD ASY A

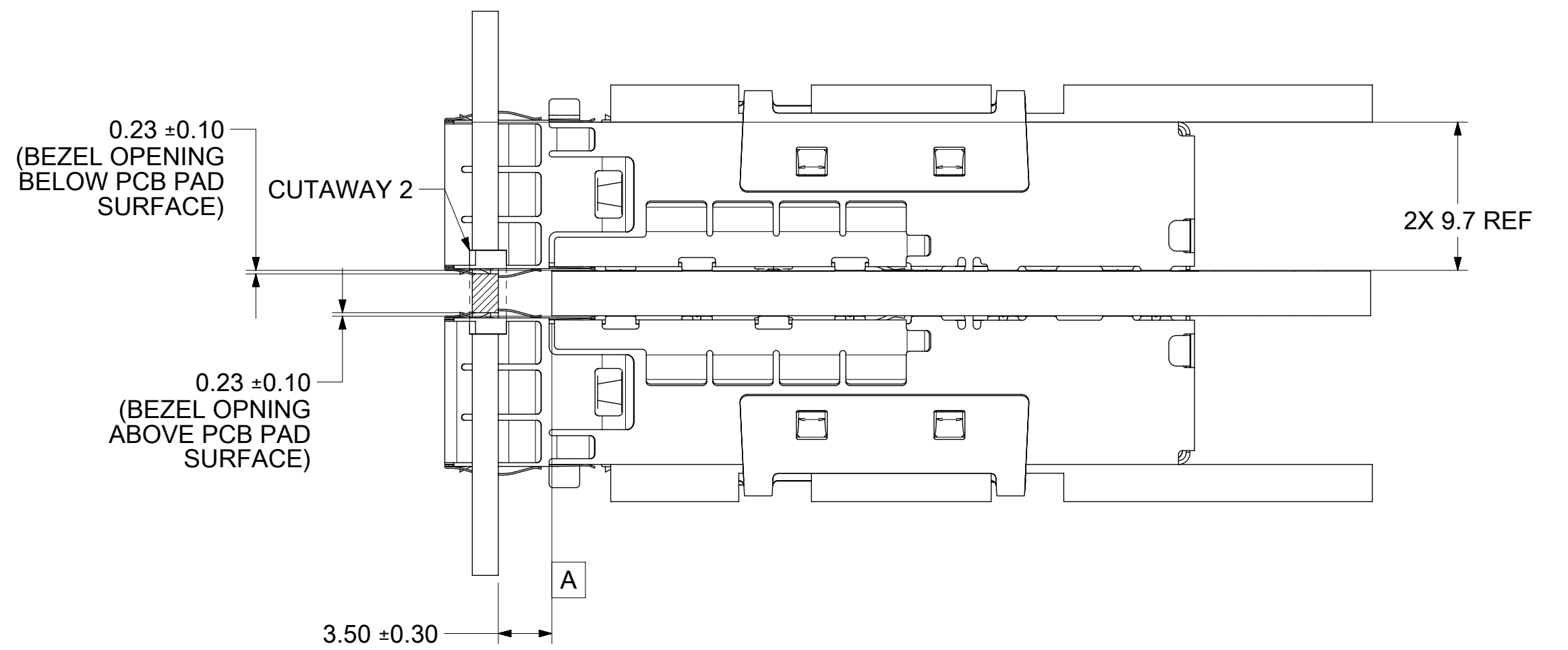
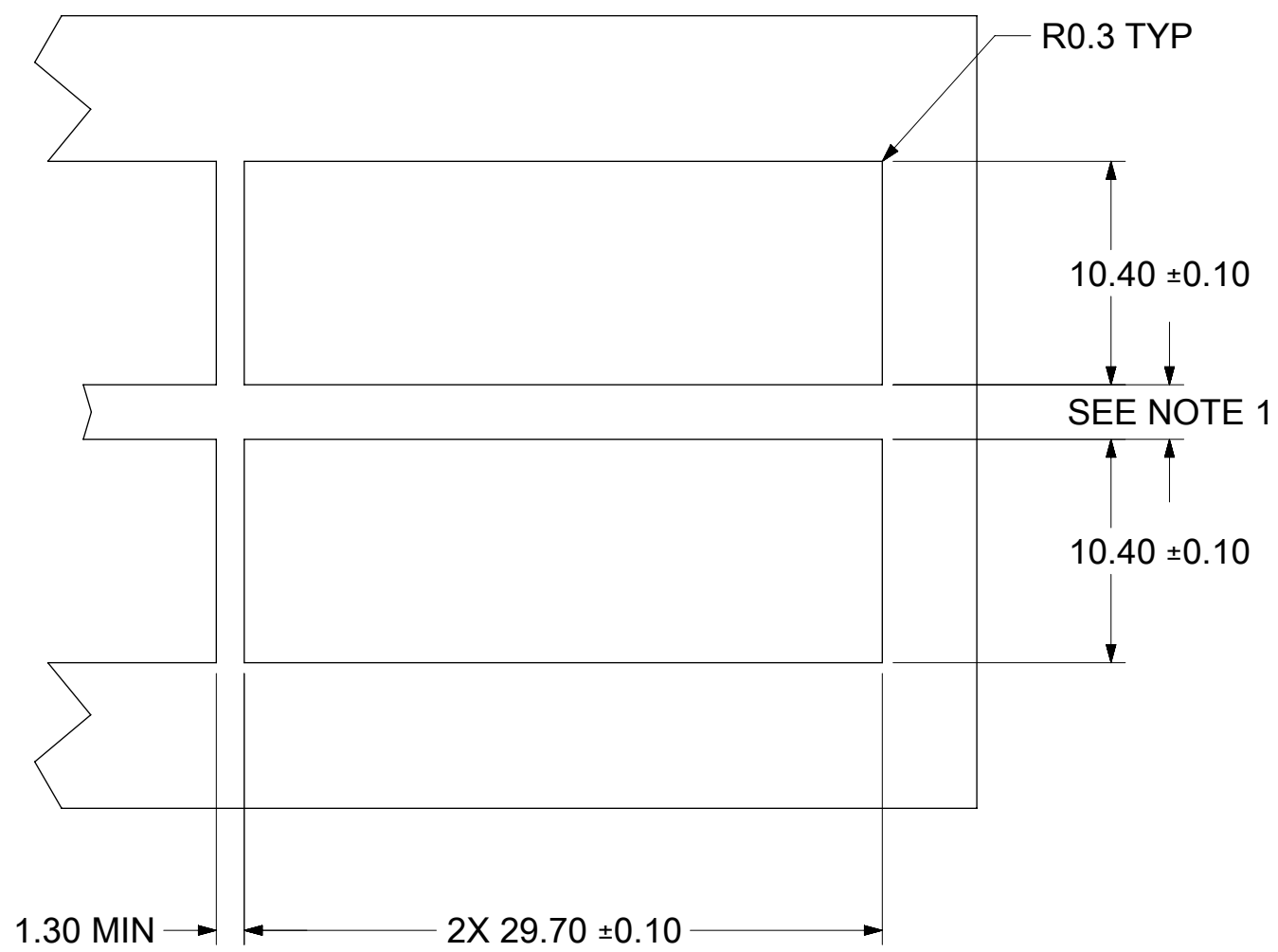
BEZEL AND BOARD POSITION DIMENSIONS FOR SINGLE SIDE MOUNTING

111128284

SHOWN



BEZEL AND BOARD POSITION DIMENSIONS FOR BELLY TO BELLY MOUNTING



FUNCTIONAL SYMBOLS	THIS DRAWING CONTAINS INFORMATION THAT IS PROPRIETARY TO MOLEX ELECTRONIC TECHNOLOGIES, LLC AND SHOULD NOT BE USED WITHOUT WRITTEN PERMISSION		CURRENT REV DESC: SEE REVISION TABLE		
	DIMENSION UNITS	SCALE			
$\frac{F}{A} = 0$	mm	1:1			SFP+ 1X2 CAGE ASSY PRESS FIT TYPE W/ SUS SF, CUSTOM HEATSINK AND DUAL LP, BELLY TO BELLY MOUNTING
$\frac{F}{C} = 0$	GENERAL TOLERANCES (UNLESS SPECIFIED)				
$\frac{F}{P} = 0$	ANGULAR TOL ± 2.0°				PRODUCT CUSTOMER DRAWING
DIVISIONAL SYMBOLS	4 PLACES	±	EC NO: 707262	2022/04/12	
	3 PLACES	±	DRWN: ABHILT2	2022/05/26	
	2 PLACES	± 0.13	CHK'D: TKUMARKC	2022/05/27	
	1 PLACE	± 0.25	APPR: SCHIEN		
	0 PLACES	±	INITIAL REVISION:		
	DRAFT WHERE APPLICABLE MUST REMAIN WITHIN DIMENSIONS		DRWN: ABHILT2	2022/04/12	DOCUMENT NUMBER
	THIRD ANGLE PROJECTION		APPR: SCHIEN	2022/05/27	111128283
	DRAWING		SERIES	MATERIAL NUMBER	CUSTOMER
	C-SIZE		111112	SEE P/N TABLE	
					DOC TYPE DOC PART REVISION
					PSD ASY A
					SHEET NUMBER
					8 OF 9

H
G
F
E
D
C
B
A

REV	DATE	DESCRIPTION
A	2022/05/26	INITIAL RELEASE

FUNCTIONAL SYMBOLS = 0 = 0 = 0 DIVISIONAL SYMBOLS 4 PLACES ± 3 PLACES ± 2 PLACES ± 0.13 1 PLACE ± 0.25 0 PLACES ± DRAFT WHERE APPLICABLE MUST REMAIN WITHIN DIMENSIONS	THIS DRAWING CONTAINS INFORMATION THAT IS PROPRIETARY TO MOLEX ELECTRONIC TECHNOLOGIES, LLC AND SHOULD NOT BE USED WITHOUT WRITTEN PERMISSION		DIMENSION UNITS: mm		SCALE: 1:1		CURRENT REV DESC: SEE REVISION TABLE			
	GENERAL TOLERANCES (UNLESS SPECIFIED)		ANGULAR TOL ± 2.0°		EC NO: 707262		DRWN: ABHILT2 2022/04/12 CHK'D: TKUMARKC 2022/05/26 APPR: SCHIEN 2022/05/27			
	PRODUCT CUSTOMER DRAWING		DOCUMENT NUMBER: 111128283		DOC TYPE: PSD		DOC PART: ASY		REVISION: A	
	MATERIAL NUMBER: SEE P/N TABLE		CUSTOMER:		SERIES: 111112		C-SIZE		SHEET NUMBER: 9 OF 9	



SFP+ 1X2 CAGE ASSY PRESS FIT TYPE
W/ SUS SF, CUSTOM HEATSINK AND DUAL LP, BELLY
TO BELLY MOUNTING