

DESIGNED AND DIMENSIONED IN INCHES[MILLIMETERS]
ALL DIMENSIONS REFERENCE EXCEPT AS SHOWN

DO NOT
SCALE FROM
THIS PRINT

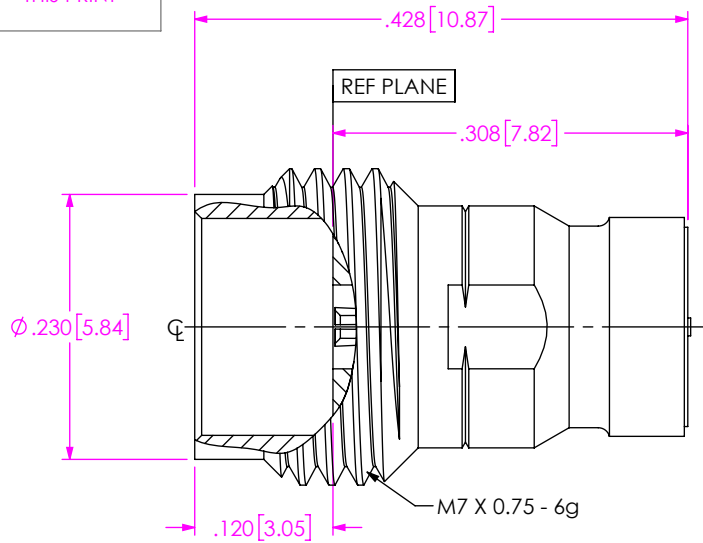
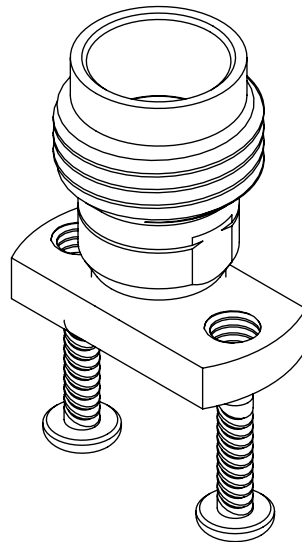


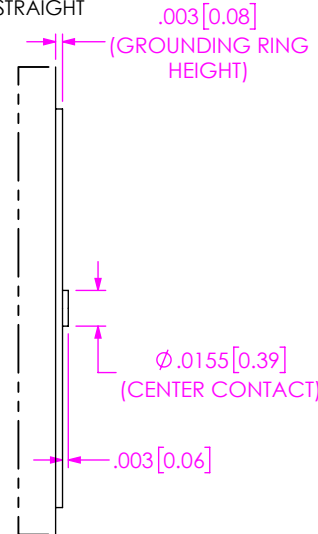
FIG 1

185-J-P-EP-ST-CM-1 SHOWN

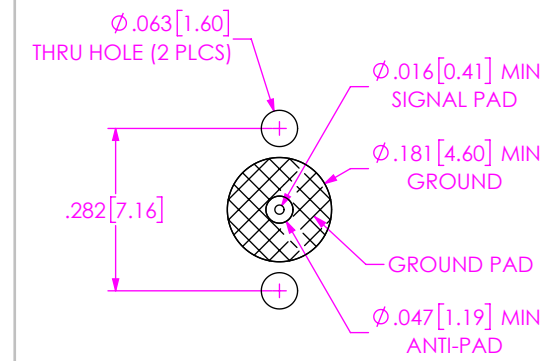
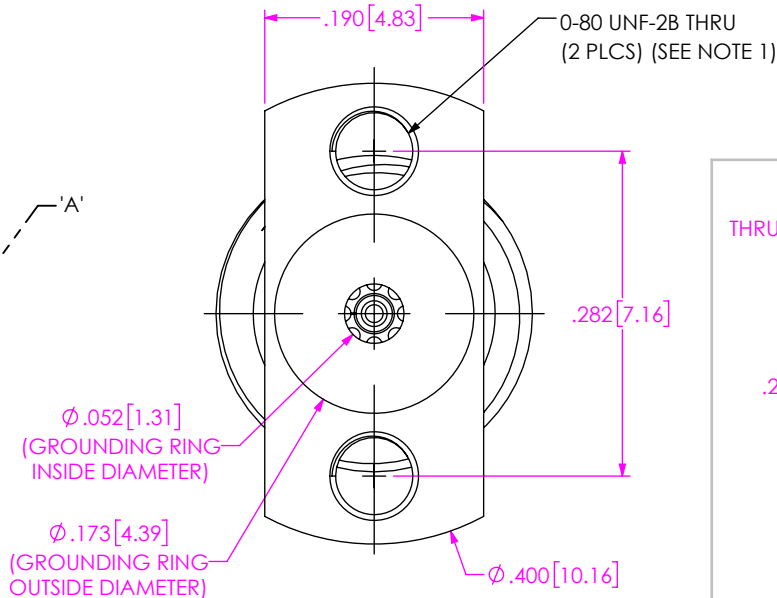
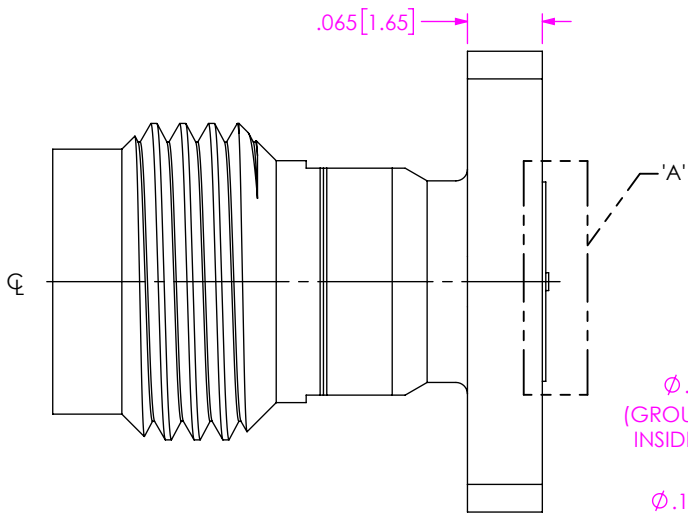


185-J-P-EP-ST-CM-X

SERIES	OPTION
185: 1.85MM	-1: OPTION 1 (WITHOUT SCREWS)
GENDER	-2: OPTION 2 (WITH SCREWS)
-J: JACK	TERMINATION
TYPE	-CM: COMPRESSION MOUNT
-P: PCB	ORIENTATION
FINISH	-ST: STRAIGHT
-EP: 50µ" EXTRA HEAVY GOLD	
CENTER CONTACT, PASSIVATED	
OUTER CONTACT	



DETAIL 'A'
SCALE 12 : 1



RECOMMENDED PCB LAYOUT
(SEE NOTE 2)

NOTES:

1. RECOMMENDED TORQUE 0.5~0.8 INCH-POUNDS.
2. THIS IS A GENERAL FOOTPRINT AND IS NOT OPTIMIZED FOR ELECTRICAL PERFORMANCE, CONTACT SIG@SAMTEC.COM FOR ASSISTANCE WITH ELECTRICAL LAYOUT.

<p>PROPRIETARY NOTE</p> <p>THIS DOCUMENT CONTAINS CONFIDENTIAL AND PROPRIETARY INFORMATION AND ALL DESIGN, MANUFACTURING, REPRODUCTION, USE, PATENT RIGHTS AND SALES RIGHTS ARE EXPRESSLY RESERVED BY SAMTEC, INC. THIS DOCUMENT SHALL NOT BE DISCLOSED, IN WHOLE OR PART, TO ANY UNAUTHORIZED PERSON OR ENTITY NOR REPRODUCED, TRANSFERRED OR INCORPORATED IN ANY OTHER PROJECT IN ANY MANNER WITHOUT THE EXPRESS WRITTEN CONSENT OF SAMTEC, INC.</p>		<p>DO NOT SCALE DRAWING SHEET SCALE: 6:1</p>		<p>DESCRIPTION: 1.85MM ST JACK FOR COMPRESSION MOUNT</p>	
<p>MATERIAL:</p> <p>BODY, BUSHING & SCREW: STAINLESS STEEL SOCKET: COPPER ALLOY</p>		<p>DWG. NO. 185-J-P-EP-ST-CM-X</p>		<p>BY: SHERRY W 11/18/2019 SHEET 1 OF 1</p>	