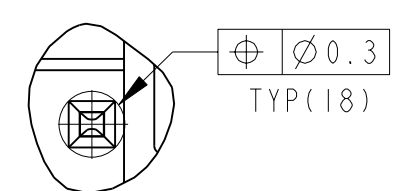
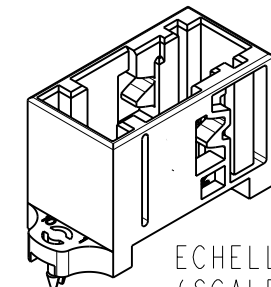
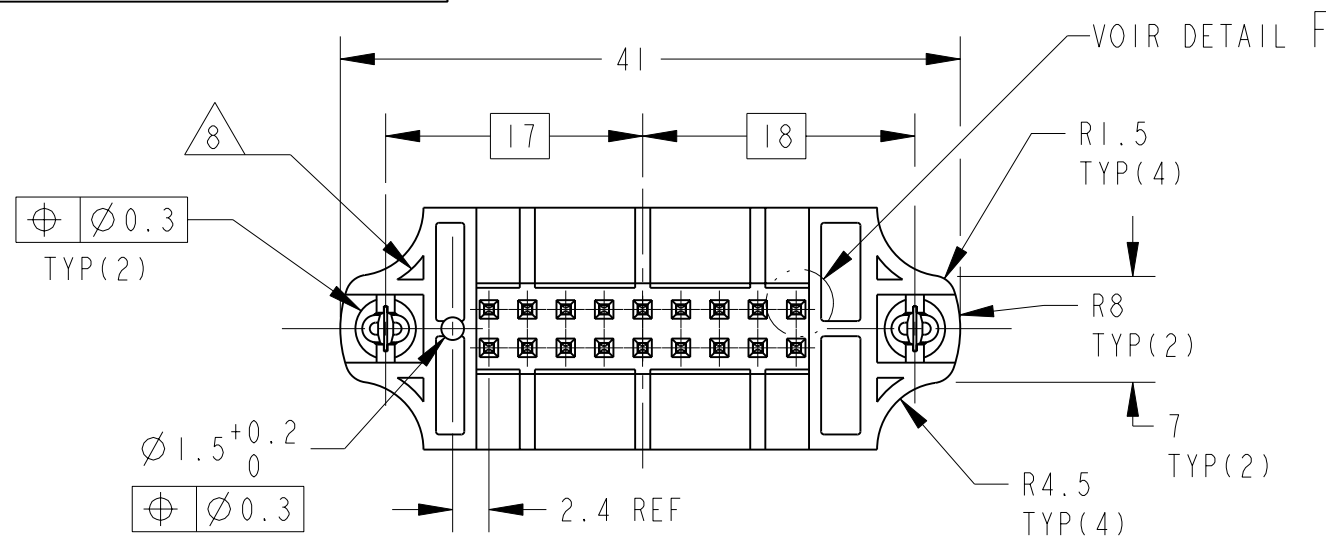


THIS DRAWING IS UNPUBLISHED. DIFFUSION RESTREINTE  
 RELEASED FOR PUBLICATION LIBRE A LA DIFFUSION  
 BY TYCO ELECTRONICS CORPORATION. ALL RIGHTS RESERVED. TOUS DROITS RESERVES

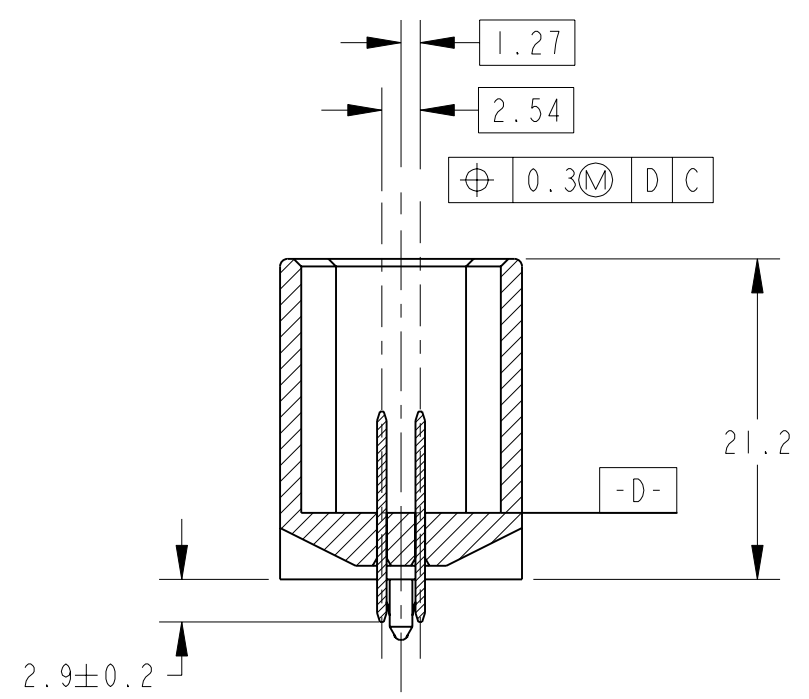
LOC	DIST	REVISIONS			
P	LTR	DESCRIPTION MODIFICATIONS	DATE	DWN DESS.	APVD APP.
F	7				
G		MODIF. IDENTIFICATION LOGO	05/03/09	AD	JL
H		AJOUT NOUVELLE VERSION SUR FEUILLE 2/2	20AUG2009	AD	JL



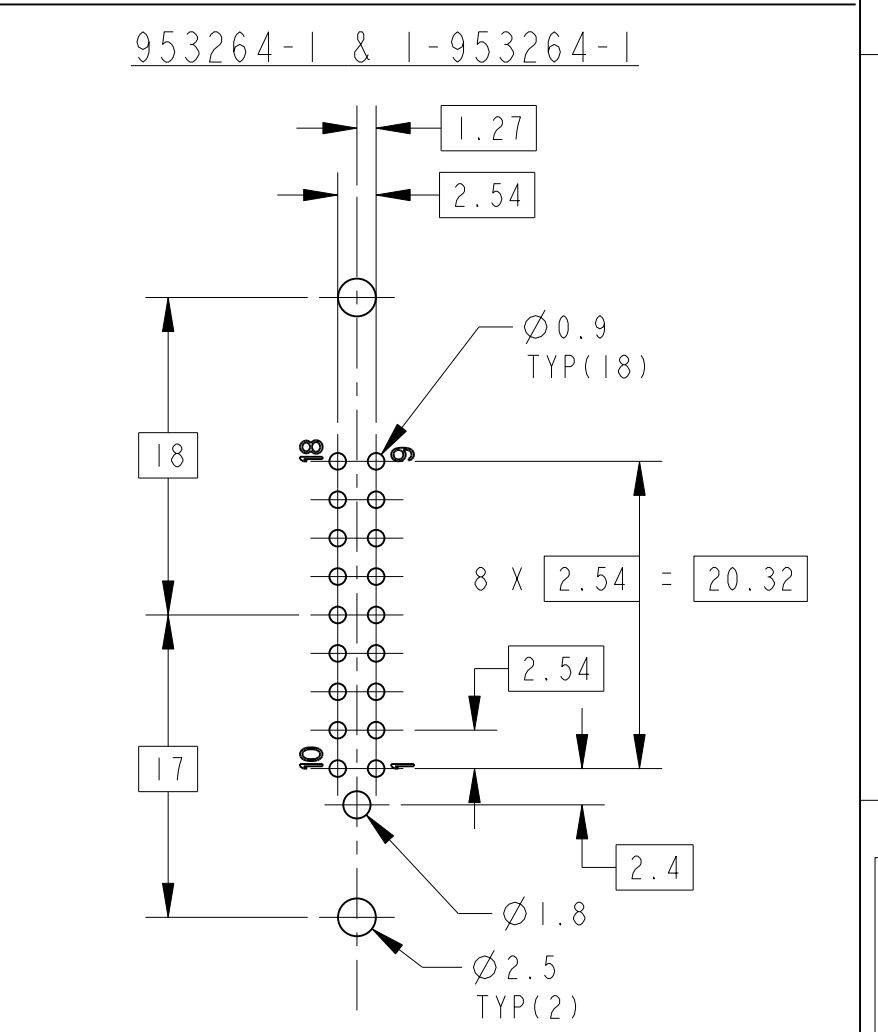
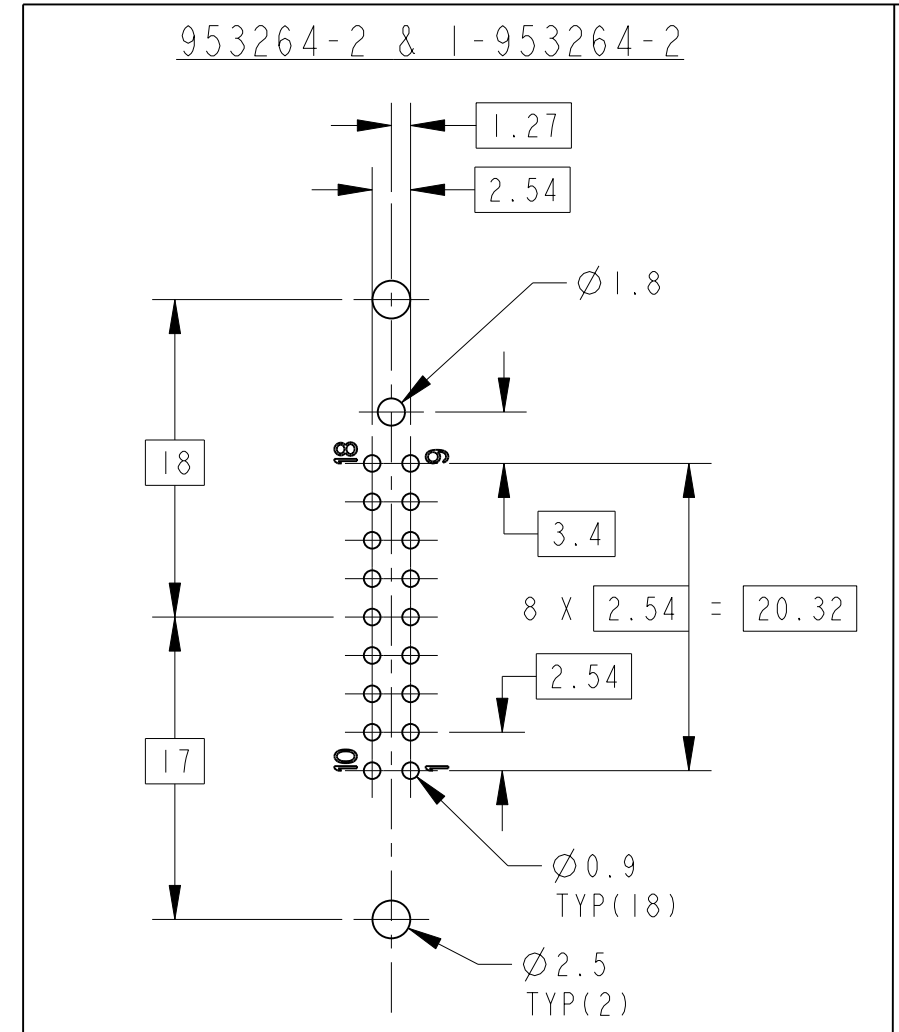
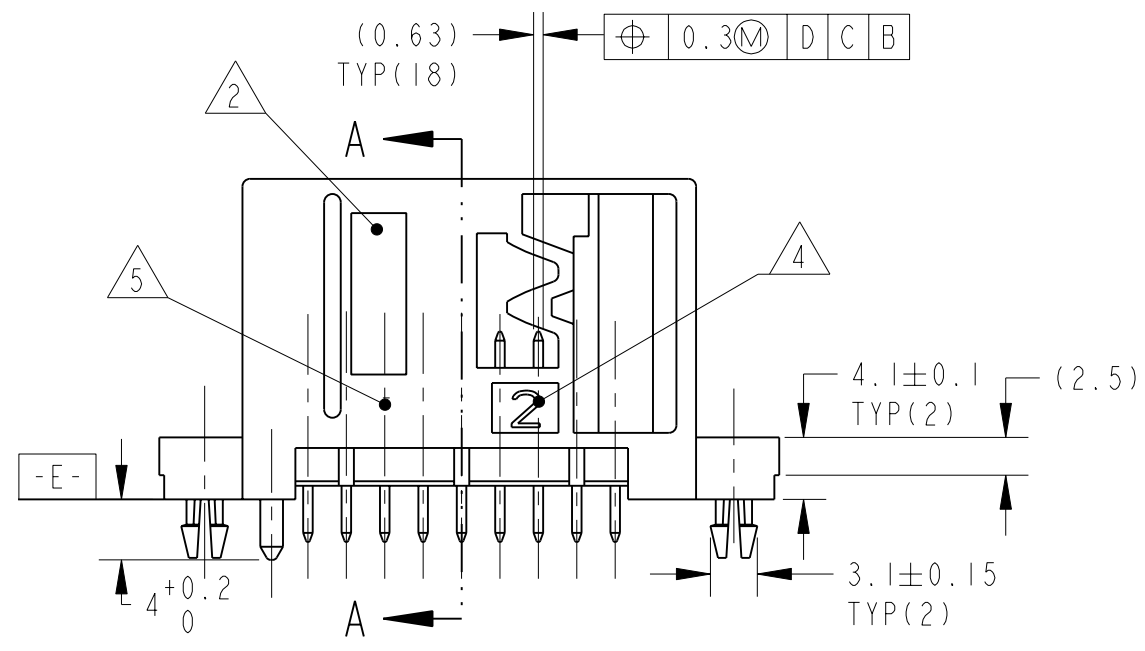
DETAIL F  
 ECHELLE 5:1  
 (Scale 5:1)



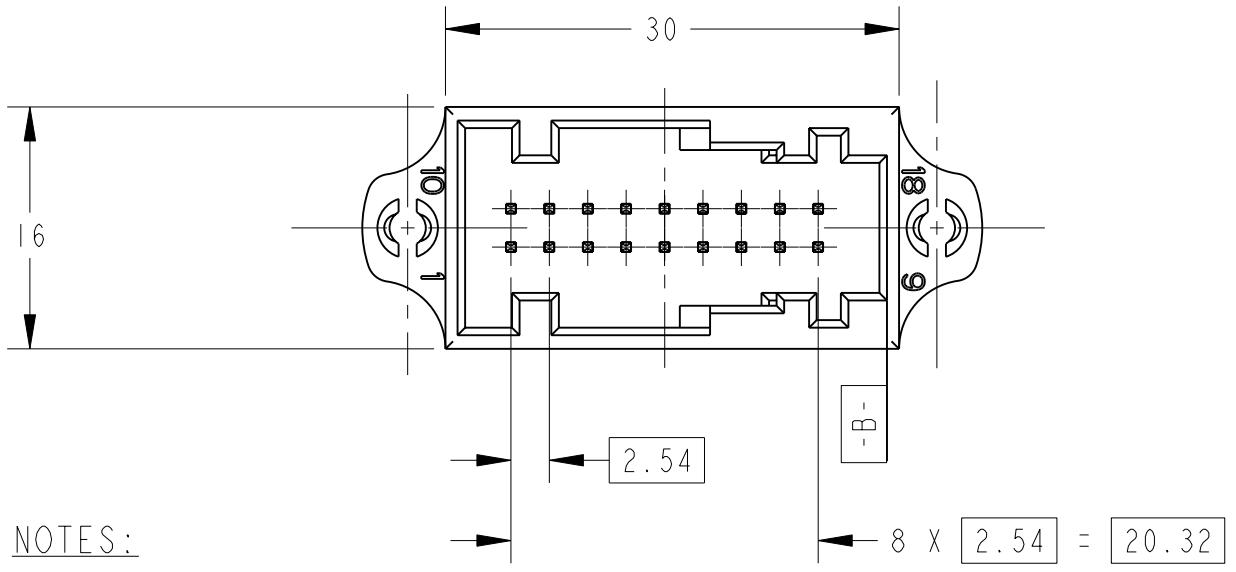
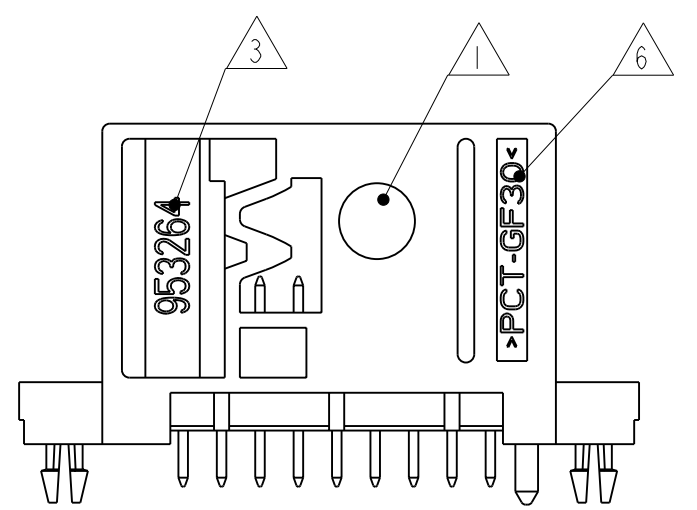
ECHELLE 1:1  
 (SCALE 1:1)



COUPE A-A  
 (Section A-A)



EPAISSEUR C.1: 1.6±0.15  
 (PCB THICKNESS: 1.6±0.15)



NOTES:

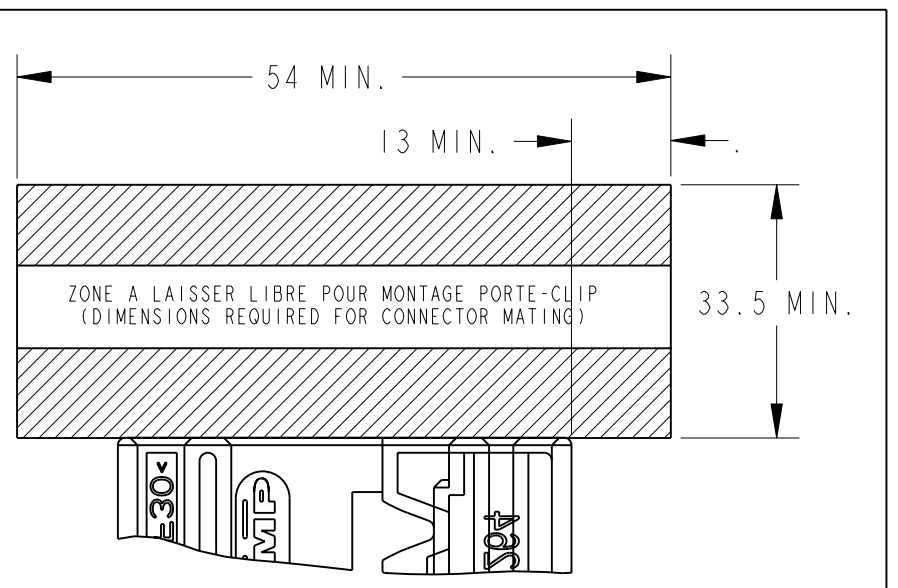
- 1 DATE CODE (DATE CODE)
- 2 RELEASED TYCO/Electronics LOGO
- 3 REFERENCE DU PRODUIT ASSEMBLE (ASS'Y PART NUMBER)
- 4 N°D'EMPREINTE DU MOULE (CAVITY MARKING)
- 5 REVISION DU MOULE (REVISION STATUS)
- 6 MATIERE (MATERIAL REFERENCE)
- 7. CONTRE-PARTIE: CONNECTEUR REF 185307 ET 185315 (MATING PART: CONNECTORS P/N 185307 AND 185315)
- 8 EVIDEMENTS OPTIONNELS (OPTIONAL HOLES)

EN ACCORD AVEC LA SPECIFICATION D'INTERFACE 208-15545 (ACCORDING TO INTERFACE SPECIFICATION 208-15545)

PCT GF30	CuSn6
MATIERE EMBASE (MATERIAL HOUSING)	MATIERE CONTACT (MATERIAL CONTACT)

RECOMMENDATION IMPLANTATION C.1 - VUE DE DESSUS (RECOMMENDED PCB DETAILS - VIEW FROM TOP)

	NOIR (BLACK)	POST-ETAME SELECTIF (POST-TIN SELECTIVE)	1-953264-2
		PRE-ETAME (PRE-TIN) (F)	953264-2
	BLANC (WHITE)	POST-ETAME SELECTIF (POST-TIN SELECTIVE)	1-953264-1
		PRE-ETAME (PRE-TIN) (F)	953264-1
DETROMPAGES (ECHELLE 1:1) (CODINGS (SCALE 1:1))		COULEUR (COLOR)	REFERENCE ASSEMBLEE (P/N ASS'Y)

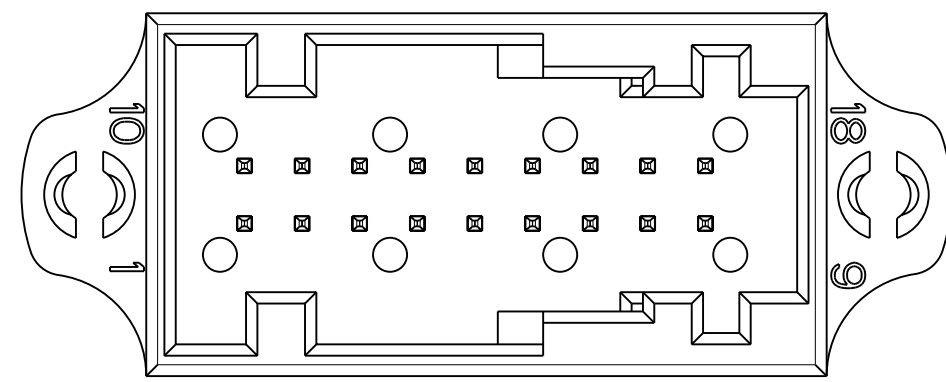
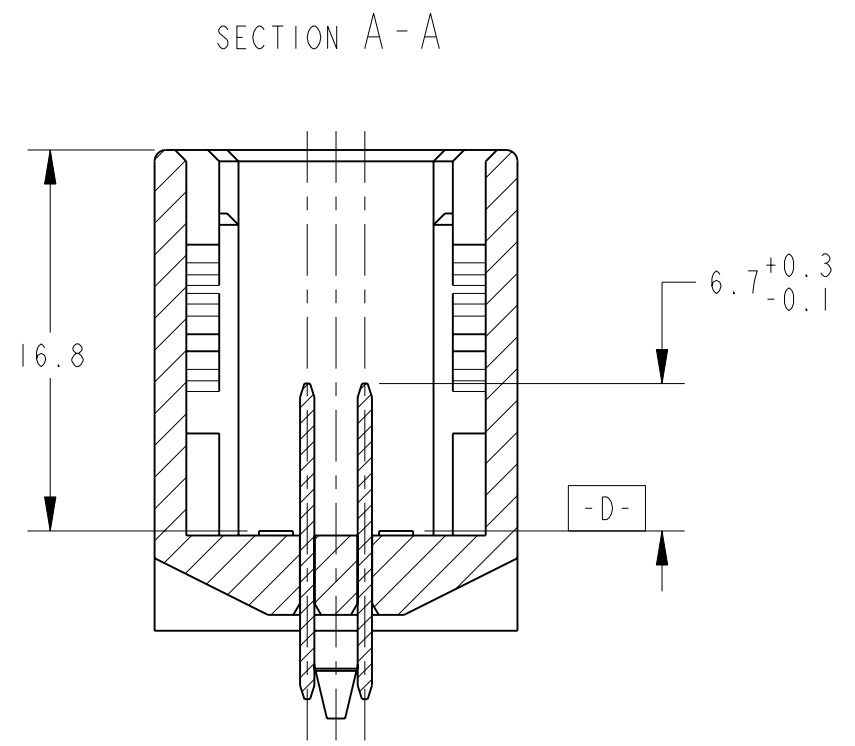
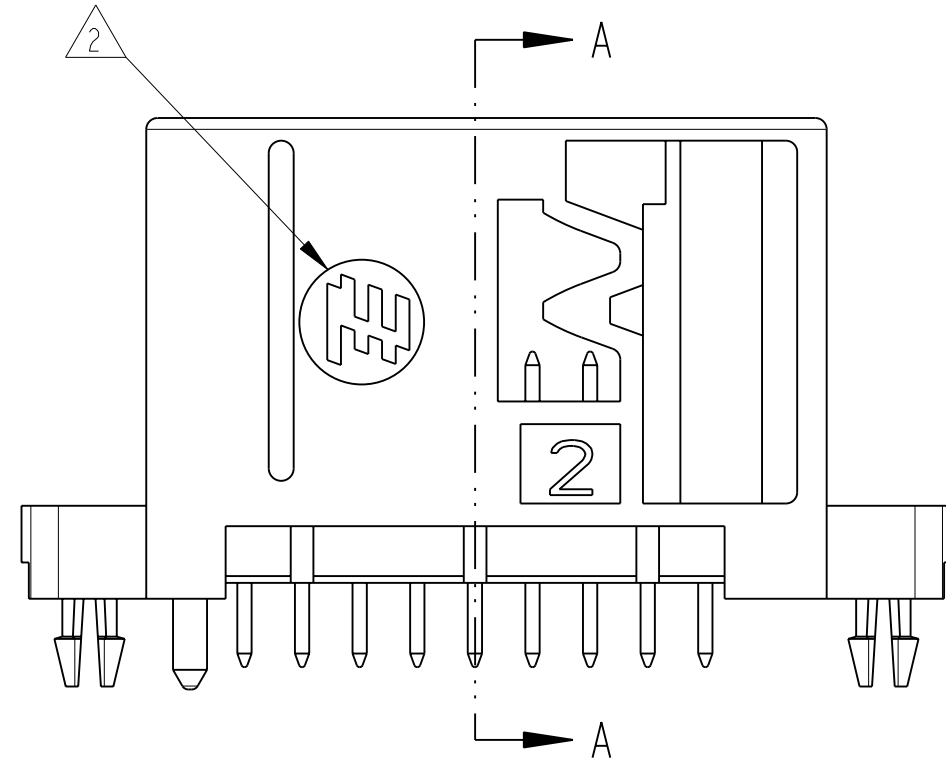
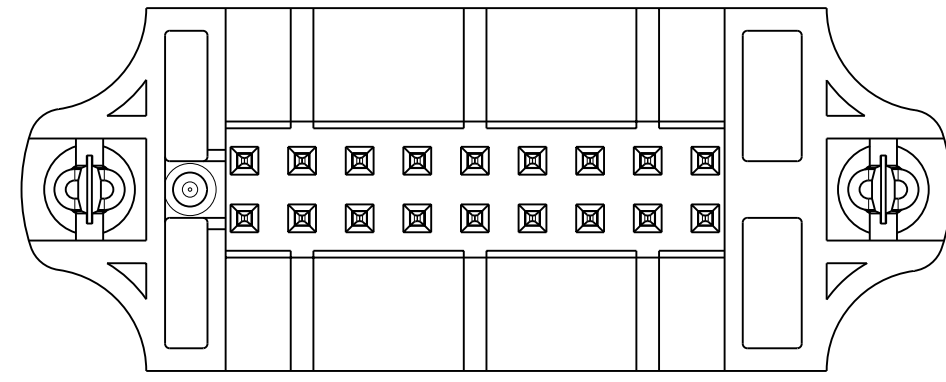


THIS DRAWING IS A CONTROLLED DOCUMENT FOR TYCO ELECTRONICS CORPORATION IT IS SUBJECT TO CHANGE AND THE CONTROLLING ENGINEERING ORGANIZATION SHOULD BE CONTACTED FOR THE LATEST REVISION. CE PLAN EST UN DOCUMENT CONTROLE PAR AMP INCORPORATED. IL EST SUSCEPTIBLE D'ETRE REVISE. CONTACTER LE SERVICE TECHNIQUE D'AMP DE FRANCE POUR OBTENIR LA DERNIERE REVISION.		DWN/DESSINE A. DUPUIS 08DEC97	AMP DE FRANCE 95301 PONTOISE
DIMENSIONS: mm		CHK/VERIFIE J. LAQUERBE 08DEC97	NAME/TITRE EMBASE 18V MQS DROITE AVEC BL 18 W MQS STRAIGHT HEADER WITH BL (18W MQS STRAIGHT HEADER WITH BL)
TOLERANCES UNLESS OTHERWISE SPECIFIED: (SUIV NB DE DECIMALES) 0 P.L.C./DEC ± 1 P.L.C./DEC ± 2 P.L.C./DEC ± 3 P.L.C./DEC ±0.3 4 P.L.C./DEC ±		APVD/APROUVE JJ REVII 08DEC97	CAGE CODE A2 00779
ANGLES FINISH FINITION ±5°		APPLICATION SPEC SPEC. APPLICATION	DRAWING NO No PLAN
MATERIAL MATIERE VOIR TABLEAU		WEIGHT MASSES APPROX. -	RESTRICTED TO RESERVE A -
MATERIAL MATIERE VOIR TABLEAU		CUSTOMER DRAWING /PLAN CLIENT	UNIQUEMENT POUR REFERENCE
		SCALE ECHELLE 2:1	SHEET FEUILLE 1 OF DE 2
			REV H

THIS DRAWING IS UNPUBLISHED. RELEASED FOR PUBLICATION 20  
 © COPYRIGHT 20 BY TYCO ELECTRONICS CORPORATION. ALL RIGHTS RESERVED.

LOC	DIST	REVISIONS					
F	7	P	LTR	DESCRIPTION	DATE	DWN	APVD
		-		SEE SHEET 1			

OTHER DESIGN ACCEPTED AVAILABLE FOR ALL VERSIONS  
 (AUTRES DESIGN ACCEPTES VALABLES POUR TOUTES LES VERSIONS)



FOR ALL OTHER DIMENSIONS AND SHAPES SEE SHEET 1/2  
 (POUR LES AUTRES DIMENSIONS ET FORMES VOIR FEUILLE 1/2)

THIS DRAWING IS A CONTROLLED DOCUMENT FOR TYCO ELECTRONICS CORPORATION IT IS SUBJECT TO CHANGE AND THE CONTROLLING ENGINEERING ORGANIZATION SHOULD BE CONTACTED FOR THE LATEST REVISION.		DWN <b>A. DUPUIS</b> 20AUG09	Tyco Electronics AMP DE FRANCE 95301 PONTOISE	
DIMENSIONS: mm		CHK <b>J. LALANGE</b> 20AUG09	NAME EMBASE 18W MQS DROITE AVEC BL 18 W MQS STRAIGHT HEADER WITH BL (18W MQS STRAIGHT HEADER WITH BL)	
TOLERANCES UNLESS OTHERWISE SPECIFIED: 0 PLC ± 1 PLC ± 2 PLC ± 3 PLC ±0.3 4 PLC ± ANGLES ±5°		APVD <b>JJ REVII</b> 20AUG09	RESTRICTED TO	
MATERIAL		PRODUCT SPEC	SIZE A2	CAGE CODE 00779
		APPLICATION SPEC	DRAWING NO 953264	REV H
		WEIGHT	SCALE 3:1 SHEET 2 OF 2	
		CUSTOMER DRAWING		