

6

5

4

3

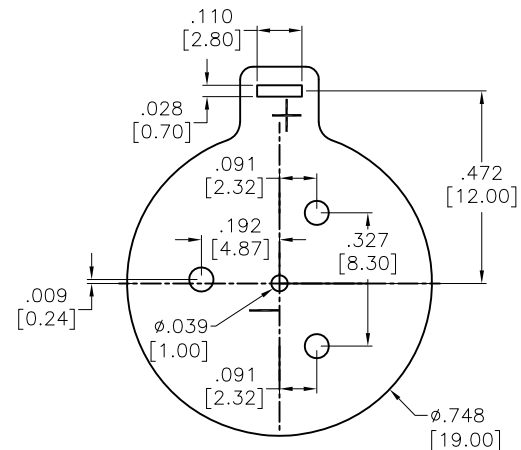
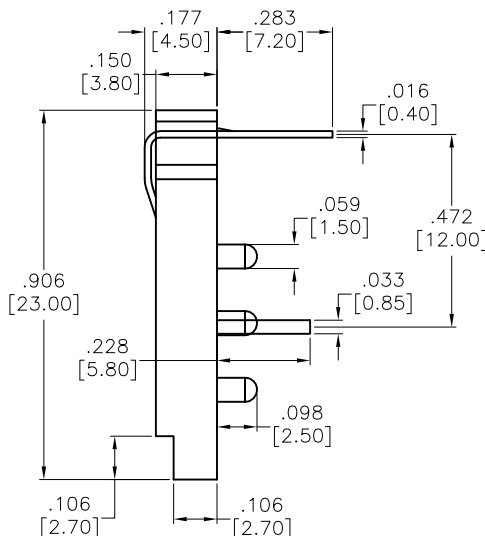
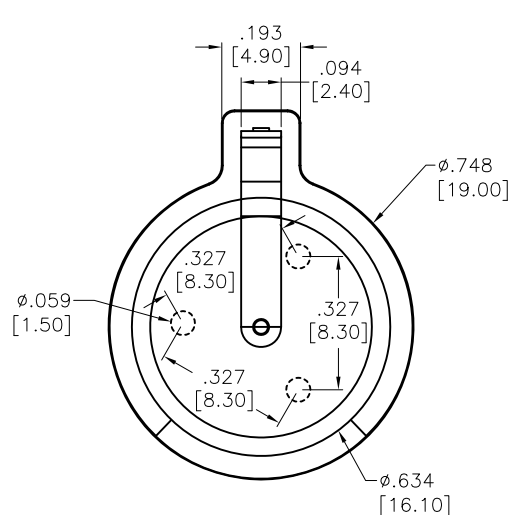
2

1

APPROVED: _____

DATE: _____ TITLE: _____

Rev	AWO #	Description	Date	Appr
-		RELEASED	12/1/17	



RECOMMENDED PCB LAYOUT

SPECIFICATIONS:

Material:
Housing: PBT, rated UL94V-0
Housing Color: Black
Contact: Mn Steel, Brass, Nickel plated
Plating:
Electrical:
Contact resistance: 30 Milliohms max
Insulation resistance: 1,000 Megaohms min
Dielectric Voltage: 500 VAC one sec level
Temperature Rating:
Operating temperature: -25°C to +85°C.
Environmental:
Lead free, RoHS compliant



UNLESS OTHERWISE SPECIFIED ALL DIMENSIONS ARE INCHES [MM] TOLERANCES: EXCEPT AS NOTED INCHES HOLES .X ± .10 Ø.X ± .10 .XX ± .020 Ø.XX ± .015 .XXX ± .015 Ø.XXX ± .010		ADAM TECH INTERCONNECTS		909 Rahway Avenue, Union, NJ 07083 Phone: 908-687-5000 Fax: 908-687-5710	
APPROVALS		DATE		TITLE	
DRAWN	AY	12/1/17		COIN CELL BATTERY HOLDER FOR CELL CR1620, DIP TYPE	
CHECKED	KC	12/1/17		SIZE	PART NO.
APPROVED				X	BH-94A-1
REF: S00138C		SCALE: NTS	SHEET 1 OF 1		

6

5

4

3

2

1