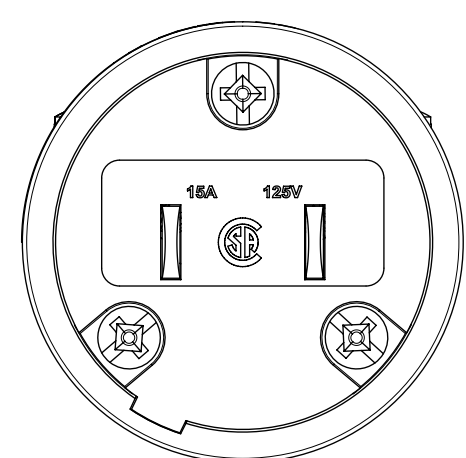
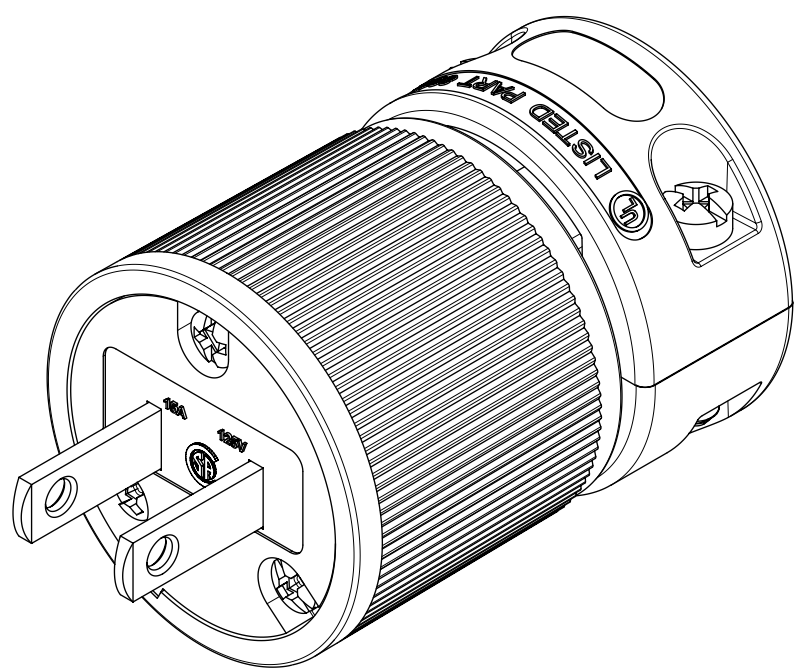
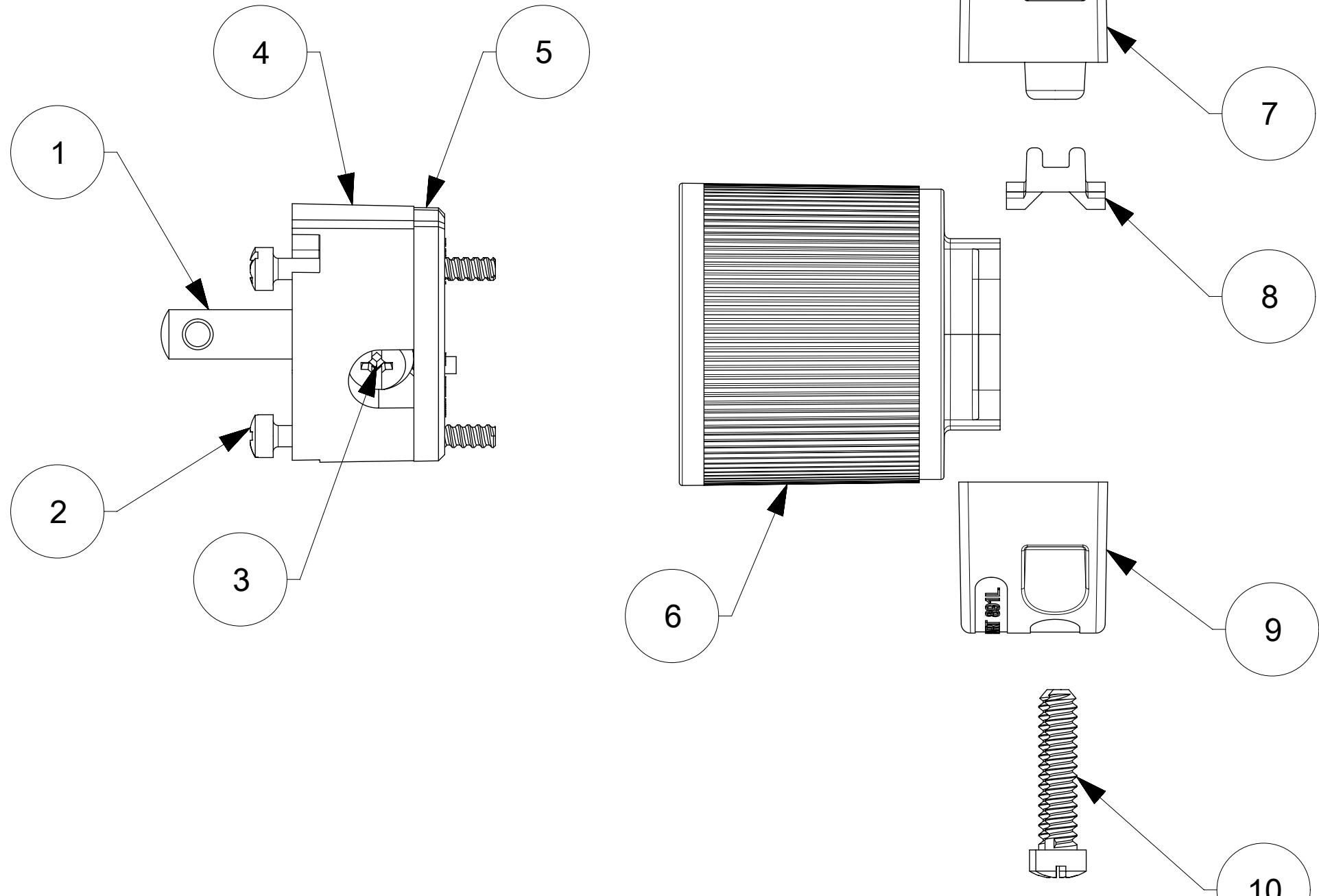
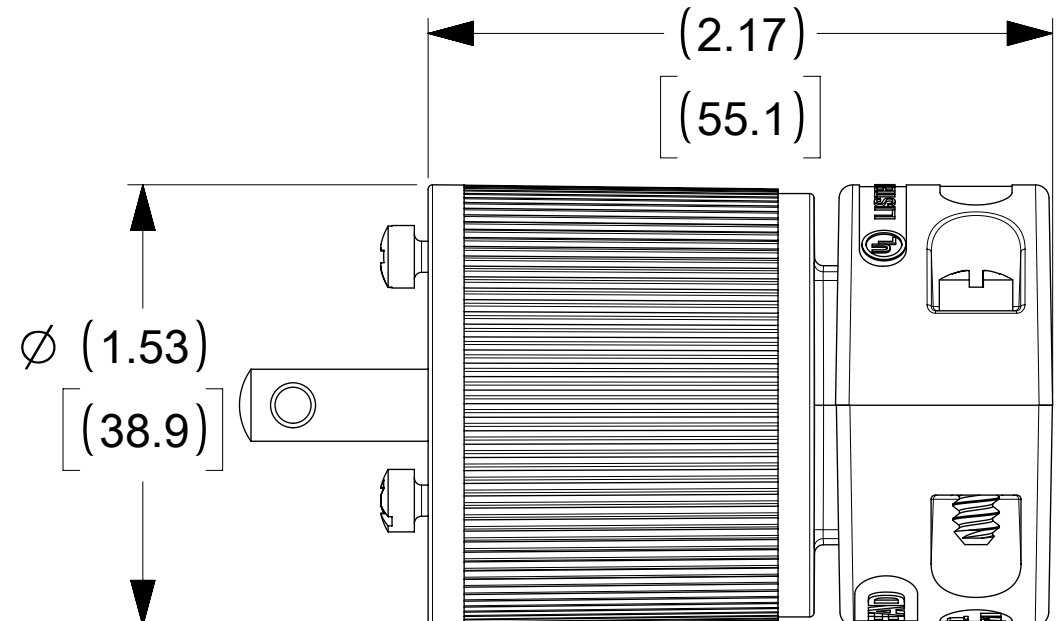


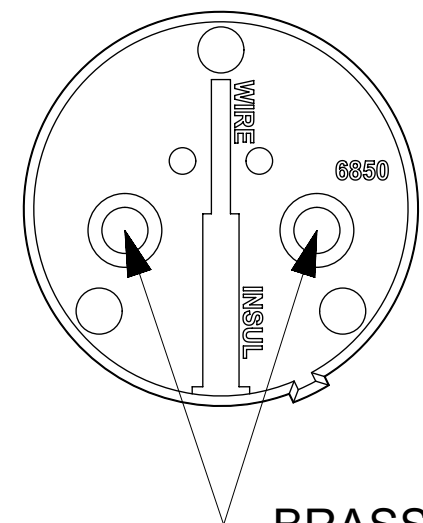
ORDER NO.	WOODHEAD NO.	COLOR
130144-0034	5166	BLACK



FACE VIEW



WIRING TERMINATION



BRASS COLOR
(HOT/PHASE WIRE)

ITEM NO.	DESCRIPTIONS	MATERIAL	QTY.
1	BLADES	BRASS, NICKEL PLATED	3
2	RETAINING SCREWS	STAINLESS STEEL	3
3	TERMINAL SCREWS/CLAMP ASSEMBLY	BRASS, ZINC PLATED	3
4	INSERT	NYLON	1
5	TERMINAL COVER	POLYCARBONATE	1
6	HOUSING	NYLON	1
7	CLAMP CORD MALE	NYLON	1
8	CLAMP CORD INSERT	NYLON	1
9	CLAMP CORD FEMALE	NYLON	1
10	RETAINING SCREWS	STEEL, ZINC PLATED	2

THIS DRAWING CONTAINS INFORMATION THAT IS PROPRIETARY TO MOLEX ELECTRONIC TECHNOLOGIES, LLC AND SHOULD NOT BE USED WITHOUT WRITTEN PERMISSION			
DIMENSION UNITS: INCH[MM]		SCALE: NTS	
CURRENT REV DESC: NEW RELEASE			
GENERAL TOLERANCES (UNLESS SPECIFIED)		EC NO: 621778	
4 PLACES	±	MM	2019/04/05
3 PLACES	±	INCH	DRWN: VBASUTHKARP
2 PLACES	±		2019/12/02
1 PLACE	±		CHK'D: DNGUYEN62
0 PLACES	±		2020/04/11
ANGULAR TOL ± °		APPR: HKNEELAND	
DRAFT WHERE APPLICABLE MUST REMAIN WITHIN DIMENSIONS		INITIAL REVISION:	
THIRD ANGLE PROJECTION		DRWN: VBASUTHKARP 2019/04/05	
DRAWING SERIES		APPR: HKNEELAND 2020/04/11	
C-SIZE 130144		DOCUMENT NUMBER: 1301440034	
MATERIAL NUMBER: SEE TABLE		DOC TYPE: PSD	
CUSTOMER: GENERAL MARKET		DOC PART: 000	
SHEET NUMBER: 1 OF 1		REVISION: A	