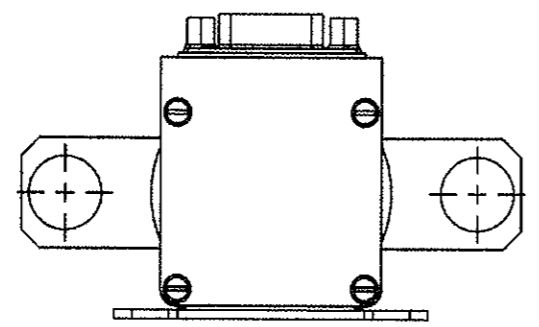
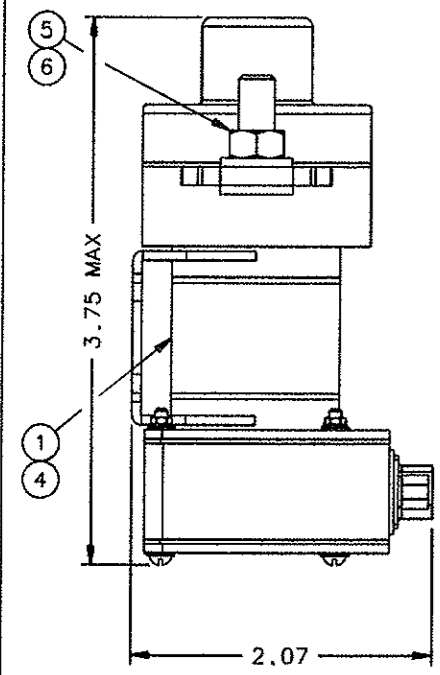
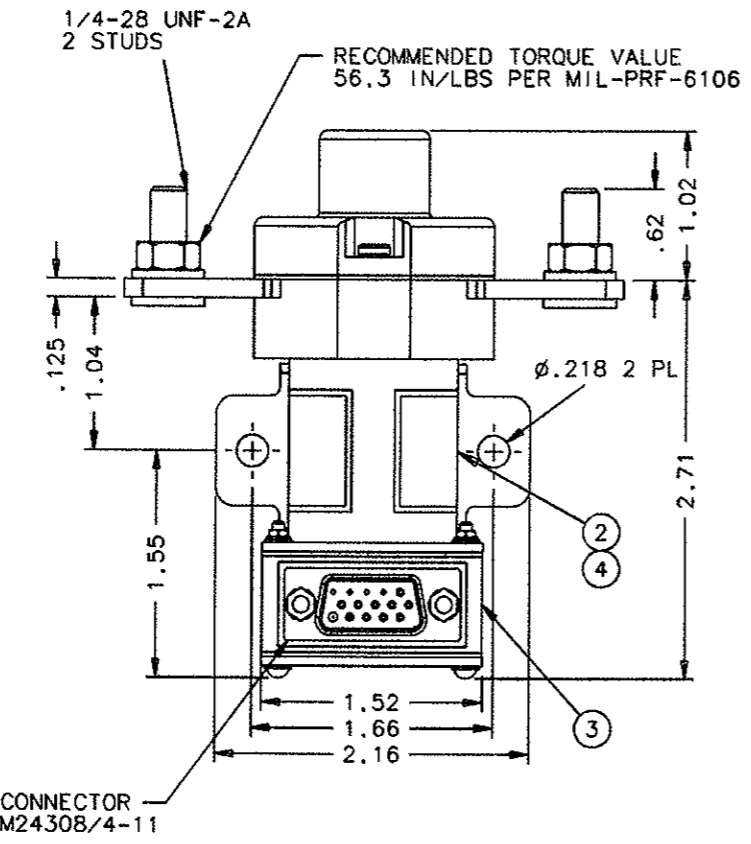
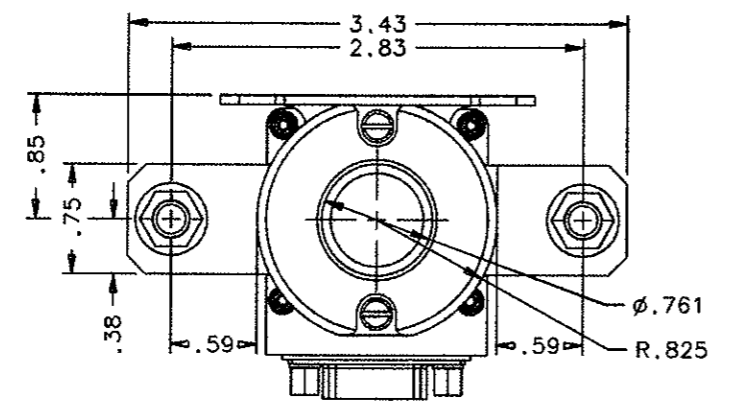


THIS ENTIRE DRAWING IS SUBJECT TO THE FOLLOWING LEGEND:  
 THOSE PORTIONS OF THIS TECHNICAL DATA INDICATED AS LIMITED RIGHTS DATA SHALL NOT, WITHOUT THE WRITTEN PERMISSION OF THE ABOVE CONTRACTOR, BE EITHER (a) USED, RELEASED OR DISCLOSED IN WHOLE OR IN PART OUTSIDE THE GOVERNMENT (b) USED IN WHOLE OR IN PART BY THE GOVERNMENT FOR MANUFACTURE OR, IN THE CASE OF COMPUTER SOFTWARE DOCUMENTATION, FOR PREPARING THE SAME OR SIMILAR COMPUTER SOFTWARE, OR (c) USED BY A PARTY OTHER THAN THE GOVERNMENT, EXCEPT FOR: (1) EMERGENCY REPAIR OR OVERHAUL WORK ONLY, BY OR FOR THE GOVERNMENT, WHERE THE ITEM OR PROCESS CONCERNED IS NOT OTHERWISE REASONABLY AVAILABLE TO ENABLE TIMELY PERFORMANCE OF THE WORK, PROVIDED THAT THE RELEASE OR DISCLOSURE HEREOF OUTSIDE THE GOVERNMENT SHALL BE MADE SUBJECT TO A PROHIBITION AGAINST FURTHER USE, RELEASE OR DISCLOSURE; OR (11) RELEASE TO A FOREIGN GOVERNMENT, AS THE INTEREST OF THE UNITED STATES MAY REQUIRE, ONLY FOR INFORMATION OR EVALUATION WITHIN SUCH GOVERNMENT OR FOR EMERGENCY REPAIR OR OVERHAUL WORK BY OR FOR SUCH GOVERNMENT UNDER THE CONDITIONS OF (1) ABOVE. THIS LEGEND, TOGETHER WITH THE INDICATIONS OF THE PORTIONS OF THIS DATA WHICH ARE SUBJECT TO SUCH LIMITATIONS SHALL BE INCLUDED ON ANY REPRODUCTION HEREOF WHICH INCLUDES ANY PART OF THE PORTIONS SUBJECT TO SUCH LIMITATION.

HARTMAN® PROPRIETARY (DO NOT COPY)

REVISIONS		RELEASED	
SYM	DESCRIPTION	DATE	APPROVED
A	44661 REDRAW CONTACT SHEID; REDIMENSION; REMOVED *PRELIMINARY DRAWING*	01/05/11	CC
B	0382-02 UPDATE VIEWS AND SPECIFICATIONS; ADDED *PRELIMINARY DRAWING*	02/05/15	CB
C	0580-02 REMOVED *PRELIMINARY DRAWING*; COIL INRUSH WAS 8 AMP; OPERATE TIME WAS 650 mA; ITEM 3 WAS 44898-060; QTY OF ITEM 4 WAS 1	02/06/21	CC
D	0182-02 RELOCATED BALLOONS 1 & 2	02/10/16	CC



CONSTRUCTION  
 MAIN CONTACTS  
 CONFIGURATION  
 VOLTAGE  
 CURRENT  
 RESISTIVE OVERLOAD  
 INRUSH RUPTURE

AUXILIARY CONTACTS  
 CONFIGURATION  
 VOLTAGE  
 CURRENT  
 RESISTIVE INDUCTIVE LAMP  
 LOW LEVEL

COIL DATA  
 DUTY CYCLE  
 MAX OPERATE VOLTAGE  
 NOM OPERATE VOLTAGE  
 MAX PICKUP VOLTAGE  
 DROPOUT VOLTAGE  
 COIL CURRENT  
 INRUSH HOLD  
 OPERATE TIME  
 RELEASE TIME  
 BOUNCE TIME

ENVIRONMENTAL DATA  
 TEMPERATURE  
 ALTITUDE

LIFE ELECTRICAL  
 LIFE MECHANICAL  
 WEIGHT MAX EST.

GASKET SEALED  
 SPST N.O. (DOUBLE BREAK)  
 28 VDC

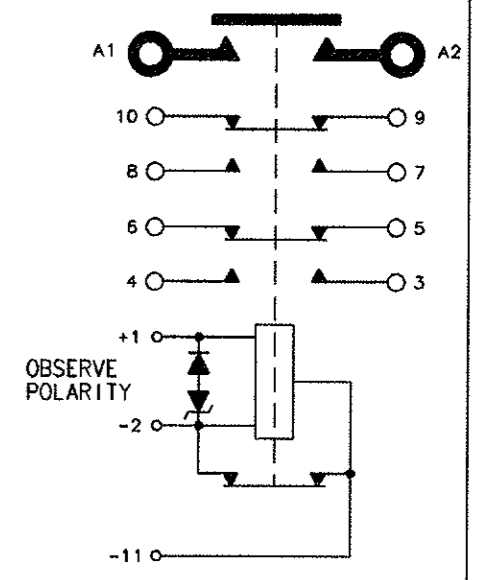
400 AMPS  
 450 AMPS FOR 5 MIN.  
 1000 AMPS FOR 10 SEC.  
 1500 AMPS  
 4000 AMPS

2 N.O., 2 N.C.  
 28 VDC  
 5 AMPS  
 2 AMPS  
 1 AMP  
 1 mA AT 28 VDC

CONTINUOUS (ECONOMIZED)  
 32 VDC  
 28 VDC  
 18 VDC MAX  
 9 VDC MAX  
 5.5 AMP MAX  
 500 mA MAX  
 35 mSEC MAX AT 18 TO 32 VDC  
 20 mSEC MAX AT 28 VDC  
 5 mSEC MAX AT 18 TO 32 VDC

-55°C TO 85°C  
 50,000 FEET

50,000 CYCLES MIN.  
 100,000 CYCLES MIN.  
 .77 LBS.



- NOTES:
1. COIL TRANSIENT VOLTAGE LIMITED TO ±42 VOLTS REFERENCED TO ZERO VOLTS.
  2. AUXILIARY CONTACTS ARE GOLD PLATED.
  3. 1 MILLIAMPERE RATING DOES NOT APPLY IF CONTACTS HAVE SWITCHED LOADS ABOVE 1 MILLIAMPERE.
  4. CONNECTION -11 IS PROVIDED TO ENSURE OPTIMUM PERFORMANCE DURING STARTING. WHEN USED AS A START CONTACTOR, POSITIVE VOLTAGE IS APPLIED TO CONNECTION +1, AND NEGATIVE TO CONNECTION -11. FOR CONTINUOUS DUTY OPERATION, POSITIVE VOLTAGE IS APPLIED TO CONNECTION +1, AND NEGATIVE TO CONNECTION -2.
  5. IF CONNECTION -11 IS USED, THE COILS DUTY CYCLE IS INTERMITTENT.

FIND NO	QTY REQD	PART OR IDENTIFYING NO	NOMENCLATURE OR DESCRIPTION	CAGE NO	DRAWING OR SPECIFICATION	MATERIAL OR NOTE
6	2	51807-034	WASHER - LOCK NO. 1/4 SPLIT TYP.			BRONZE
5	2	50407-074	NUT 1/4-28 X 3/8 X 3/16 HEX			BRASS
4	2	39529-059	OVERLAY			
3	1	44898-070	CONTACTOR ASSEMBLY - PRIMARY			
2	1	44900-003	PLATE - SCHEMATIC DIAGRAM			
1	1	44899-008	PLATE - NAME			

UNLESS OTHERWISE SPECIFIED DIMENSIONS ARE IN INCHES TOLERANCES ON		DR BY CSC 02/10/21		 Hartman Division, 175 N. DIAMOND STREET, WANSFIELD, OHIO 44902	
2 PL DEC.	±.06	3 PL DEC.	±.010		
ANGLES		±1°		ENGR LSS 02/10/24	
MATERIAL		MFG 02/10/24		CONTACTOR-SPST N.O.	
SIZE	B	CODE IDENT	74063	400 AMP, 28 VDC 093	
SCALE 1/1		SHEET		DWG NO. K-400A5C	
REF TYCO P/N 0-1616069-1					