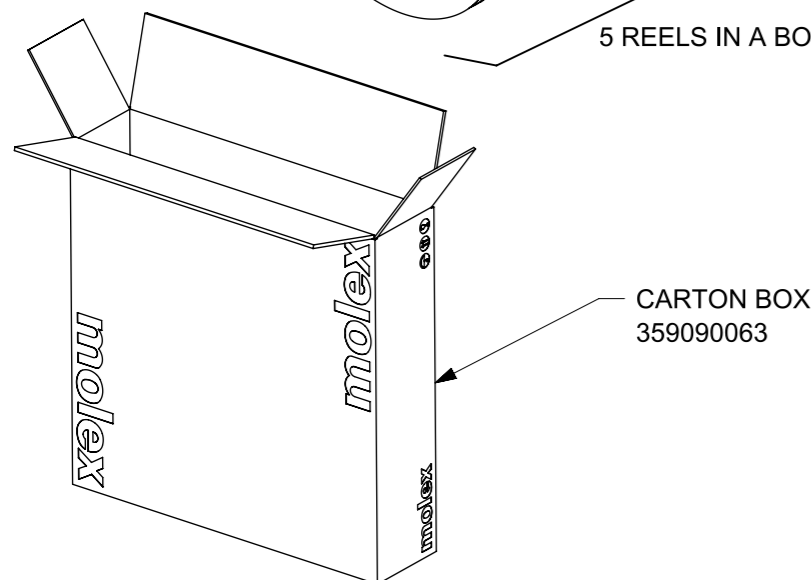
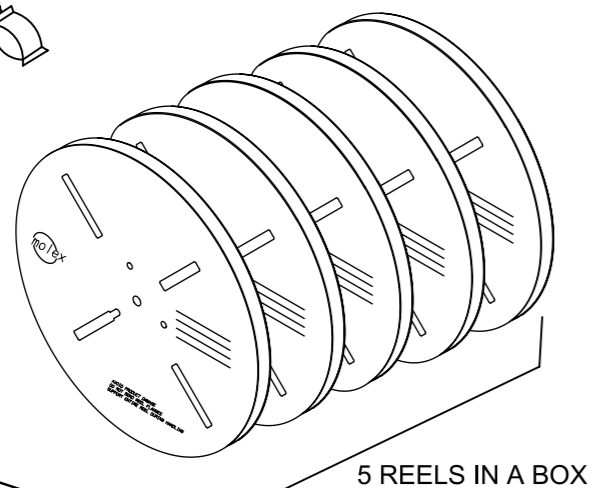
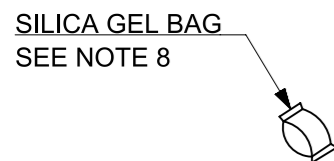
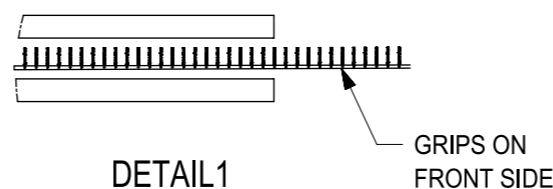
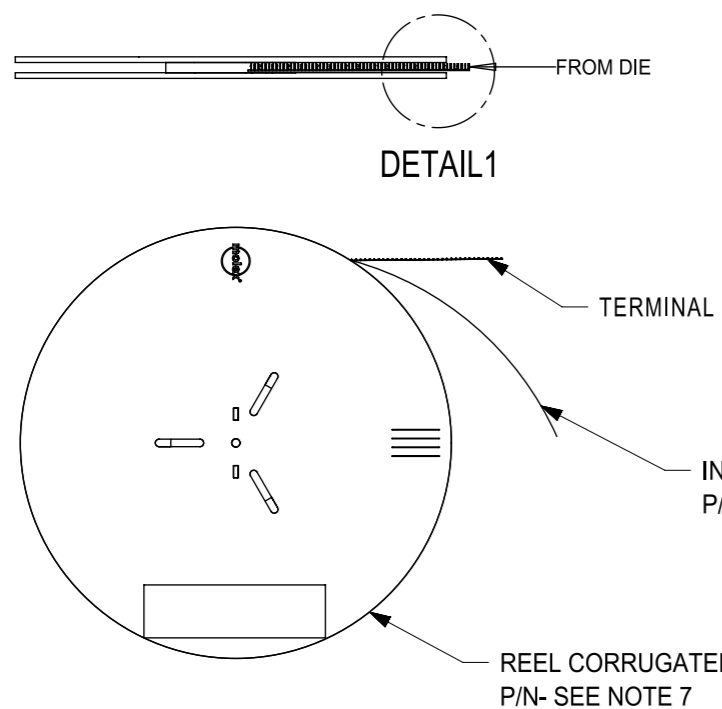
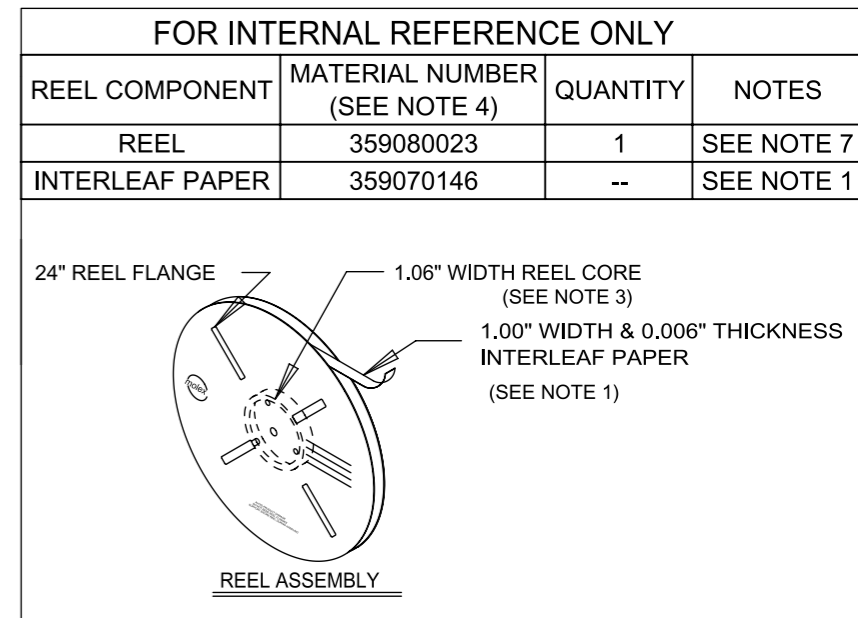


TABLE 1

TERMINAL PART NO	PARTS PER REEL	NO. OF REELS PER CARTON BOX	TOTAL QUANTITY PER BOX
2004490001	8000	5	40000



NOTES:

- INTERLEAF PAPER TO BE USED THROUGHOUT THE ENTIRE REEL. (REF ES-40000-7005)
- PRODUCT LABEL AND SHIPPING LABEL TO BE ATTACHED AT THESE APPROXIMATE LOCATIONS. (REF ES-40000-7012)
- REEL CORE IS CUT TO LENGTH AS INDICATED.
- PARTS TO BE SPOOLED AS SHOWN
- PARTS NOT TO BE TWISTED OR BENT ON CARRIER
- FOR SPQ DETAILS SEE TABLE-1
- REEL FLANGE, REEL CORE AND REEL CORRUGATED ARE PURCHASED AS A SINGLE SET.
- PART TO BE SHIPPED WITH SILICA DESICCANT GEL BAG

QUALITY SYMBOLS FA = 0 FE = 0 FF = 0 GV = 0 CV = 0 X = 0 ■ = 0 V = 0	THIS DRAWING CONTAINS INFORMATION THAT IS PROPRIETARY TO MOLEX ELECTRONIC TECHNOLOGIES, LLC AND SHOULD NOT BE USED WITHOUT WRITTEN PERMISSION											
	REV PER DROP TEST EC NO: 632176 DRWN: JDPARK01 CHK'D: JBJIN APPR: YSKIM02				GENERAL TOLERANCES (UNLESS SPECIFIED) ANGULAR TOL ± ° 4 PLACES ± 3 PLACES ± 2 PLACES ± 1 PLACE ± 0 PLACES ±		DIMENSION UNITS mm		SCALE 1:1		 PACKAGING SPEC FOR EDGELOCK TERMINAL	
	DRAFT WHERE APPLICABLE MUST REMAIN WITHIN DIMENSIONS				DRWN BY CD		DATE 2015/11/09		PACKAGING DESIGN DRAWING			
					CHK'D BY BR02		DATE 2016/07/20					
					APPR BY KPRASAD		DATE 2016/07/27		SERIES 200449	MATERIAL NUMBER SEE CHART	CUSTOMER	
	DRAWING SIZE A3		THIRD ANGLE PROJECTION		DOCUMENT NUMBER 2004490001PK		DOC TYPE PDD	DOC PART 000	SHEET NUMBER 1 OF 1			