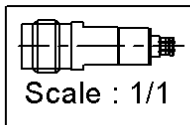
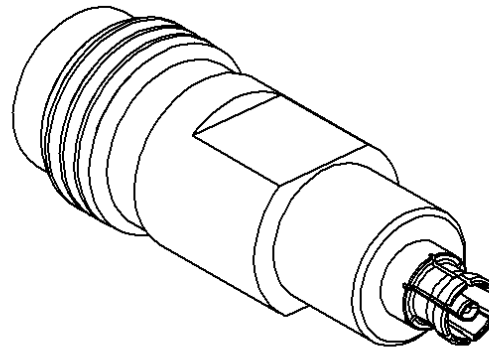
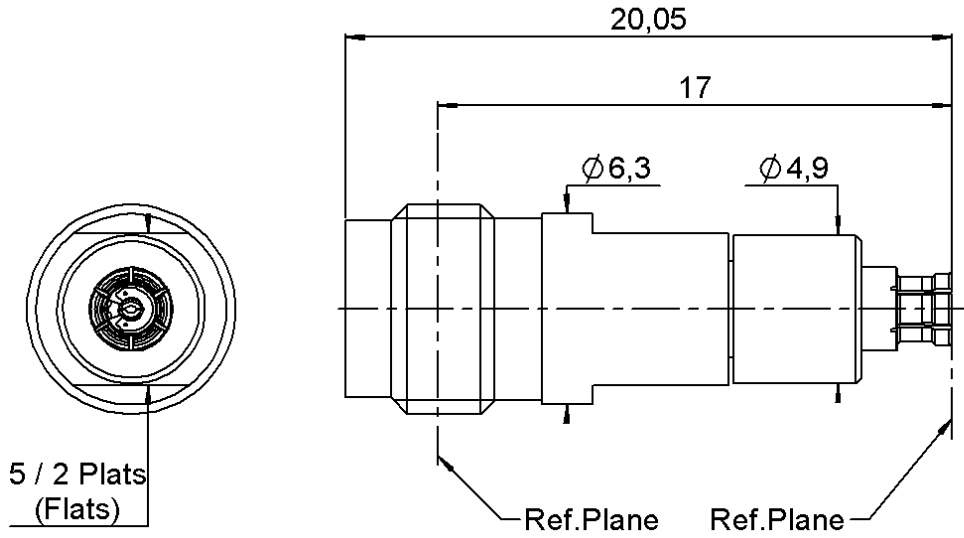


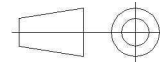
2.4MM FEMALE - SMPM FEMALE ADAPTER

R191.565.000

Série : SMPM



All dimensions are in mm.



| COMPONENTS | MATERIALS | PLATING (µm) |
|----------------|------------------|---------------------------------|
| BODY | BERYLLIUM COPPER | GOLD 1.3 OVER NICKEL 2 |
| CENTER CONTACT | BERYLLIUM COPPER | OR 1.3 OVER NICKEL PHOSPHORUS 2 |
| OUTER CONTACT | - | - |
| INSULATOR | PEEK | - |
| GASKET | - | - |
| OTHERS PARTS | - | - |
| - | - | - |
| - | - | - |

Issue : 1329 B

In the effort to improve our products, we reserve the rights to make changes judged to be necessary.



DRAFTING

2.4MM FEMALE - SMPM FEMALE ADAPTER

R191.565.000

Série : SMPM

PACKAGING

SPECIFICATION

| Standard | Unit | Other |
|----------|------|-------------------|
| 1 | | Contact us |

ELECTRICAL CHARACTERISTICS

ENVIRONMENTAL

| | | |
|---------------------------------|---------------|-----------------------------|
| Impedance | | 50 Ω |
| Frequency | | 0-40 GHz |
| VSWR | 1.05 + | 0,0100 x F(GHz) Maxi |
| Insertion loss | | 0.12 √F(GHz) dB Maxi |
| RF leakage | - (| NA - F(GHz)) dB Maxi |
| Voltage rating | | 335 Veff Maxi |
| Dielectric withstanding voltage | | 500 Veff mini |
| Insulation resistance | | 5000 MΩ mini |

| | |
|---------------|---------------------|
| Operating | -65/+165 °C |
| Hermetic seal | NA Atm.cm3/s |
| Panel leakage | NA |

MECHANICAL CHARACTERISTICS

OTHER CHARACTERISTICS

| | | |
|----------------------------|-------------|------------------------|
| Center contact retention | | |
| Axial force – Mating end | | 6.7 N mini |
| Axial force – Opposite end | | 6.7 N mini |
| Torque | | NA N.cm mini |
| Recommended torque | | |
| Mating | SMA | 0 N.cm |
| | SMPM | 0 N.cm |
| | | 0 N.cm |
| Panel nut | | NA N.cm |
| Mating life | | 500 Cycles mini |
| Weight | | 3,2800 g |

Issue : 1329 B

In the effort to improve our products, we reserve the rights to make changes judged to be necessary.

RADIALL 

DRAFT