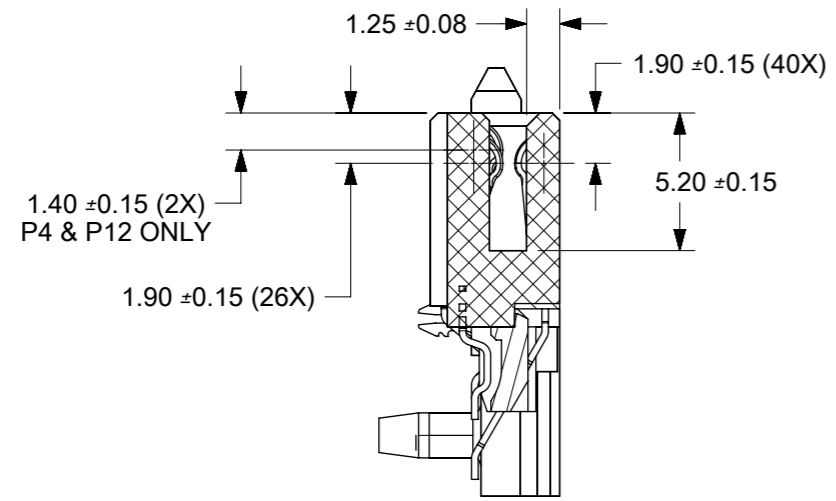
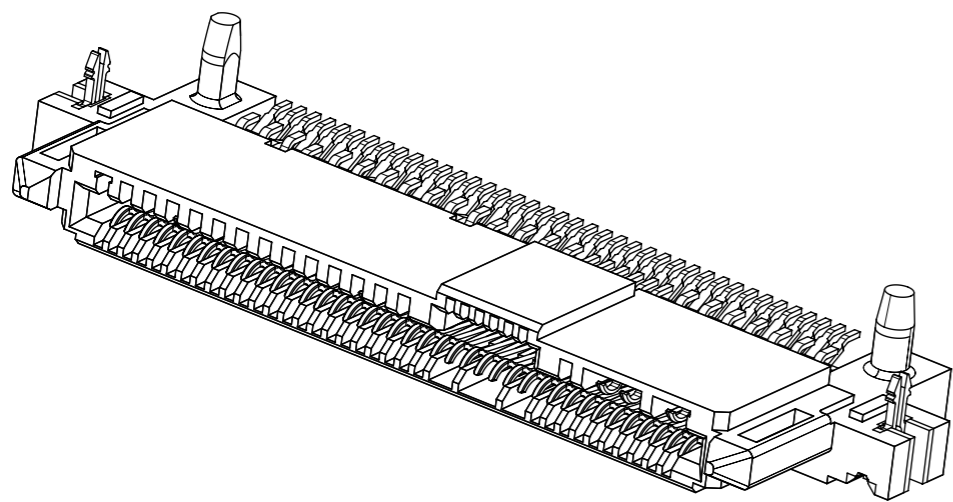
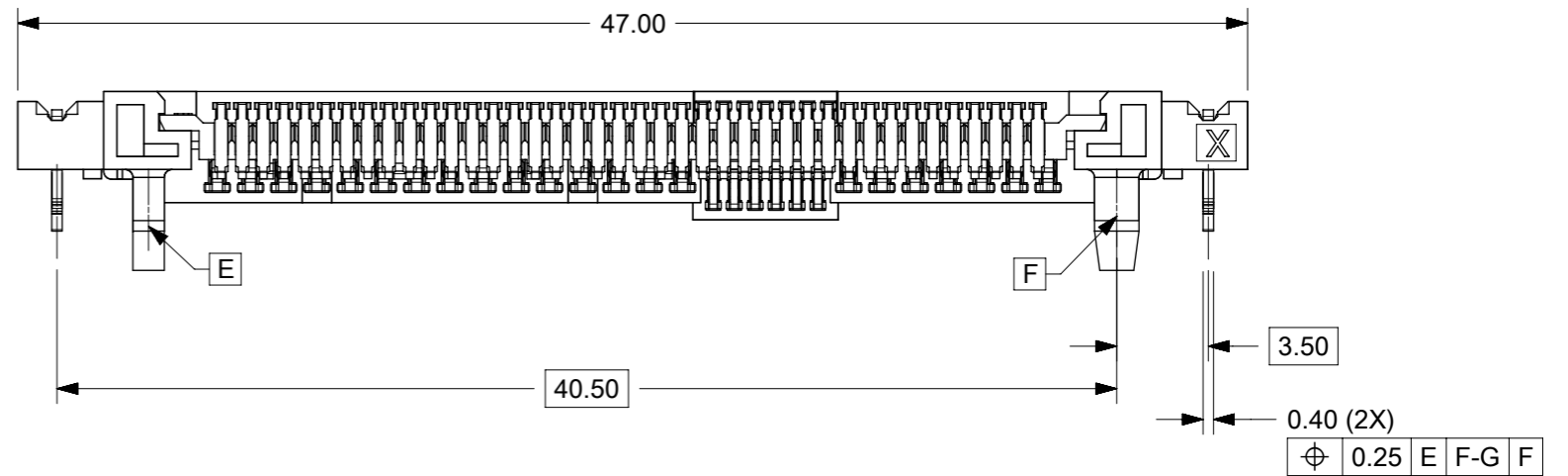
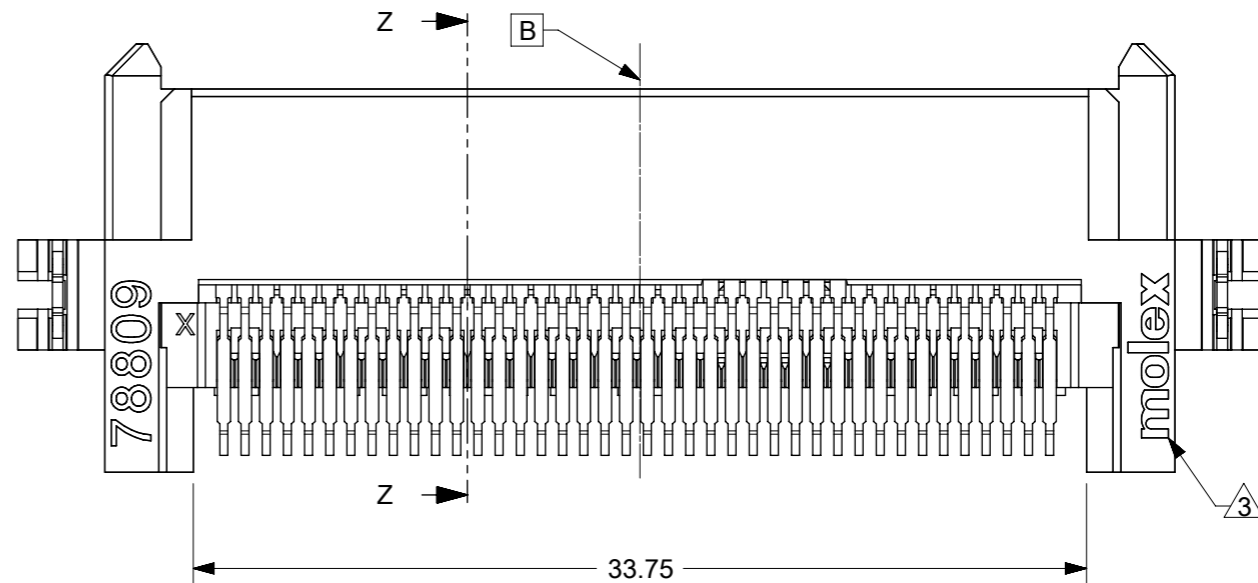


- NOTES:
- MATERIAL:
HOUSING: LCP, GLASS FILLED, UL 94V-0, BLACK
TERMINAL: COPPER ALLOY
FORKLOCK: BRONZE
 - PLATING:
TERMINAL:
CONTACT: 0.76µm MIN. SELECTIVE GOLD OVER 1.27µm MIN. NICKEL UNDERPLATE
SOLDERTAIL: 2.54µm MIN. TIN OVER 1.27µm MIN. NICKEL UNDERPLATE
FORKLOCK: 2.54µm MIN. TIN OVER 1.27µm MIN. NICKEL UNDERPLATE
 - MOLEX LOGO, PART NUMBER, CAVITY ID & DATE CODE LOCATED APPROXIMATELY AS SHOWN.
 - NON FUNCTIONAL CORE HOLE MAY VARY.
 - THIS PRODUCT IS COMPLIANT TO RoHS DIRECTIVE WITH THE FOLLOWING BANNED SUBSTANCES - LEAD, MERCURY, CADMIUM, HEXAVALENT CHROMIUM, POLYBROMINATED BIPHENYLS AND POLYBROMINATED DIPHENYL ETHERS.
 - PRODUCT SPECIFICATION PS-78809-001 APPLIES.

THIS DRAWING CONTAINS INFORMATION THAT IS PROPRIETARY TO MOLEX ELECTRONIC TECHNOLOGIES, LLC AND SHOULD NOT BE USED WITHOUT WRITTEN PERMISSION											
REVISED FOR CHANGES	2017/03/15	2017/12/28	GENERAL TOLERANCES (UNLESS SPECIFIED)		DIMENSION UNITS	SCALE	molex®				
	DRWN: JSGOH01		CHK'D BY	mm	NTS						
	EC NO: 168702		APPR: SHONG	ANGULAR TOL ± 3.0 °	4 PLACES ±	JSGOH01	DATE	SAS/PCIE RECEPTACLE			
	CHK'D:			3 PLACES ±	2 PLACES ± 0.2	CHK'D BY	DATE	SMT W/FORKLOCK 0.93MM HEIGHT			
	DATE: 2017/02/06			1 PLACE ±	0 PLACES ±	APPR BY	DATE	PRODUCT CUSTOMER DRAWING			
		DRAFT WHERE APPLICABLE MUST REMAIN WITHIN DIMENSIONS		SHONG	2017/12/28	DRAWING SIZE	THIRD ANGLE PROJECTION	SERIES	MATERIAL NUMBER	CUSTOMER	
				A3		A3		78809	788090002	GENERAL MARKET	
								DOCUMENT NUMBER	DOC TYPE	DOC PART	SHEET NUMBER
								788090002	PSD	000	1 OF 3

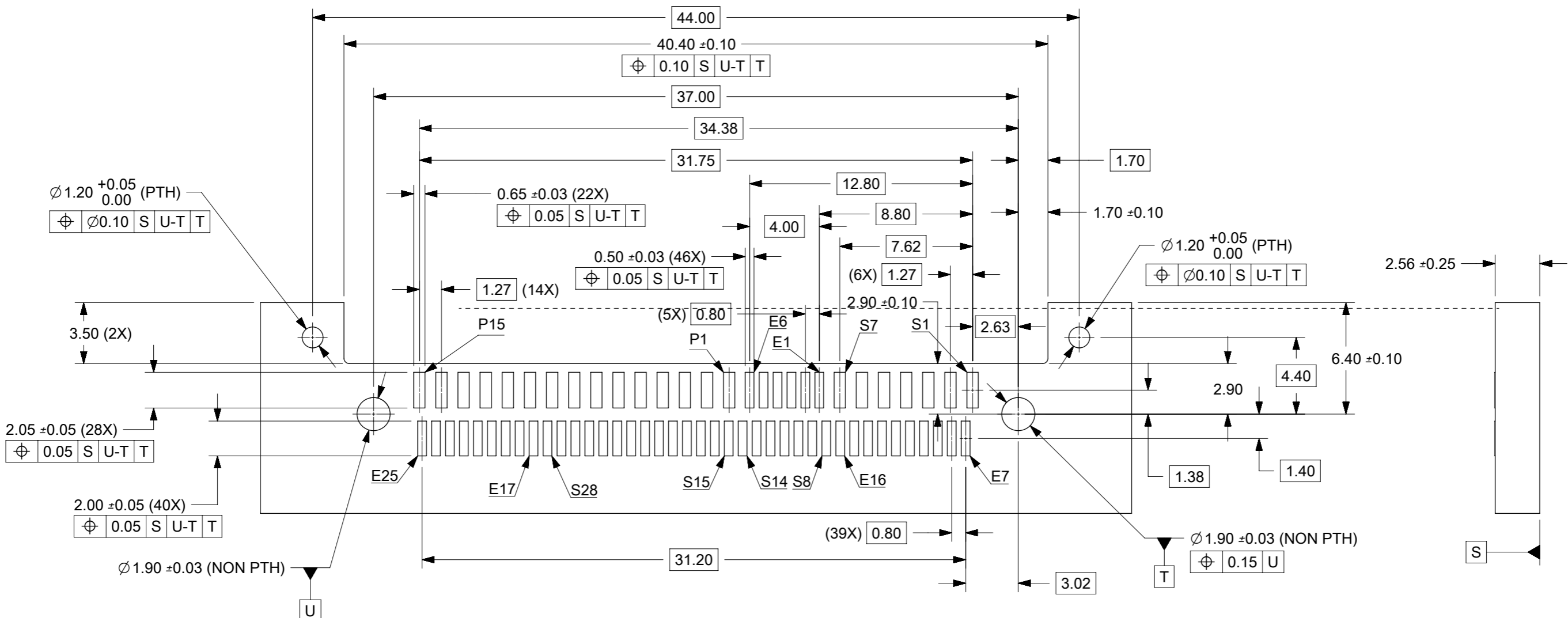


SECTION Z-Z



THIS DRAWING CONTAINS INFORMATION THAT IS PROPRIETARY TO MOLEX ELECTRONIC TECHNOLOGIES, LLC AND SHOULD NOT BE USED WITHOUT WRITTEN PERMISSION

REVISED FOR CHANGES EC NO: 168702 DRWN: JSGOH01 CHK'D: SHONG APPR: SHONG	2017/03/15	GENERAL TOLERANCES (UNLESS SPECIFIED)		DIMENSION UNITS	SCALE				
	2017/12/28	ANGULAR TOL ± 3.0 °		mm	NTS				
	4 PLACES ±		DRWN BY		DATE		SAS/PCIE RECEPTACLE SMT W/FORKLOCK 0.93MM HEIGHT		
	3 PLACES ±		JSGOH01		2017/03/15				
	2 PLACES ± 0.2		CHK'D BY		DATE				
1 PLACE ±		SHONG		2017/12/28		PRODUCT CUSTOMER DRAWING			
0 PLACES ±		DRAFT WHERE APPLICABLE MUST REMAIN WITHIN DIMENSIONS		DRAWING SIZE	THIRD ANGLE PROJECTION	SERIES	MATERIAL NUMBER	CUSTOMER	
A		A3				78809	788090002	GENERAL MARKET	
						DOCUMENT NUMBER	DOC TYPE	DOC PART	SHEET NUMBER
						788090002	PSD	000	2 OF 3



RECOMMENDED PCB LAYOUT

THIS DRAWING CONTAINS INFORMATION THAT IS PROPRIETARY TO MOLEX ELECTRONIC TECHNOLOGIES, LLC AND SHOULD NOT BE USED WITHOUT WRITTEN PERMISSION

REVISER FOR CHANGES EC NO: 168702 DRWN: JSGOH01 CHK'D: SHONG APPR: SHONG 2017/03/15 2017/12/28				GENERAL TOLERANCES (UNLESS SPECIFIED)		DIMENSION UNITS	SCALE					
				ANGULAR TOL ± 3.0 °		mm	NTS					
				4 PLACES ±	JSGOH01		DATE		SAS/PCIE RECEPTACLE SMT W/FORKLOCK 0.93MM HEIGHT			
				3 PLACES ±	CHK'D BY		DATE					
				2 PLACES ± 0.2	SHONG		DATE		PRODUCT CUSTOMER DRAWING			
1 PLACE ±	APPR BY		DATE									
0 PLACES ±	SHONG		2017/12/28		SERIES	MATERIAL NUMBER	CUSTOMER					
DRAFT WHERE APPLICABLE MUST REMAIN WITHIN DIMENSIONS		DRAWING SIZE	THIRD ANGLE PROJECTION		78809	788090002	GENERAL MARKET					
A		A3			DOCUMENT NUMBER		DOC TYPE	DOC PART	SHEET NUMBER			
					788090002	PSD	000	3 OF 3				