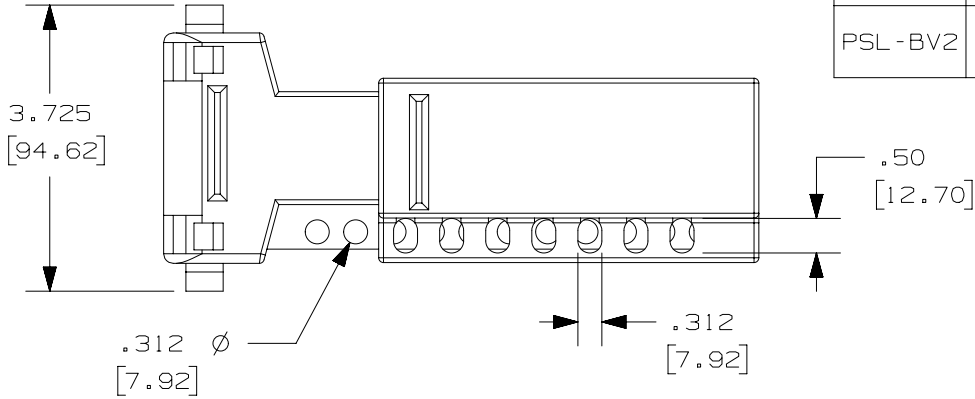


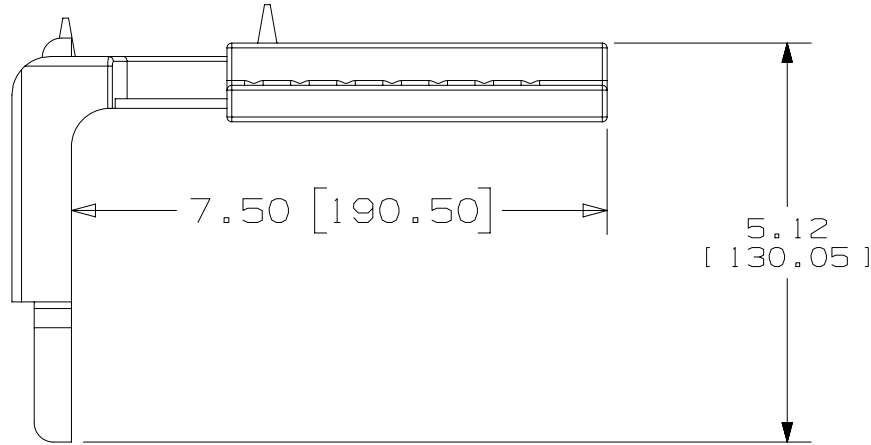
THIS COPY IS PROVIDED ON A RESTRICTED BASIS AND IS NOT TO BE USED IN ANY WAY DETRIMENTAL TO THE INTERESTS OF PANDUIT CORP.

PART NUMBER	VALVE SIZE in. [mm]	STANDARD PKG.	MAX. HANDLE LENGTH	MAX HANDLE WIDTH	OPERATING TEMPERATURE
PSL-BV2	1 1/1" - 2 1/2" [38.1 - 68.5]	1	10" [254.0]	1.0" [25.4]	-40° F (-40° C) TO 215° F (101° C)



3

NOTES:  
1. MILLIMETERS  
SHOWN IN ( ).



REV	DATE	BY	CHK	APR	DESCRIPTION	ECN
3	11/11/16	RVU	CLW	JHAC	The value should be 215F (101° C), NOT (120° C).	GAECN03696
2	9/13/12				CHANGED INSPECTED LENGTH.	GAECN00044
1	12/13/10				ADDED OPERATING TEMPERATURES AND MAX HANDLE WIDTH.	6256
R	2/11/08				DRAWING RELEASE.	5330

TITLE <b>PSL-BV2 BALL VALVE LOCKOUT</b>						
CONTROL DRAWING						
ITEM REVISION NAME 100923CM/01					<b>PANDUIT</b>	
DATASET FILE NAME 100923CM-DC-C10644/01D						
UNLESS OTHERWISE SPECIFIED, DIMENSIONAL TOLERANCES ARE: IN [mm]					MATERIAL: <b>RED POLYPROPYLENE PANTONE PMS 186</b>	
.x ± .1 [2.54]			.xxx ± .25 [6.35]		DRAWING NUMBER: <b>C10644</b>	
.xx ± .5 [12.7]			ANGLES ±		THIRD ANGLE PROJECTION	
DRAWN BY RVU		DATE 9/12/03	CHK JHAC	SCALE NTS	SHT 1 OF 1	SIZE A