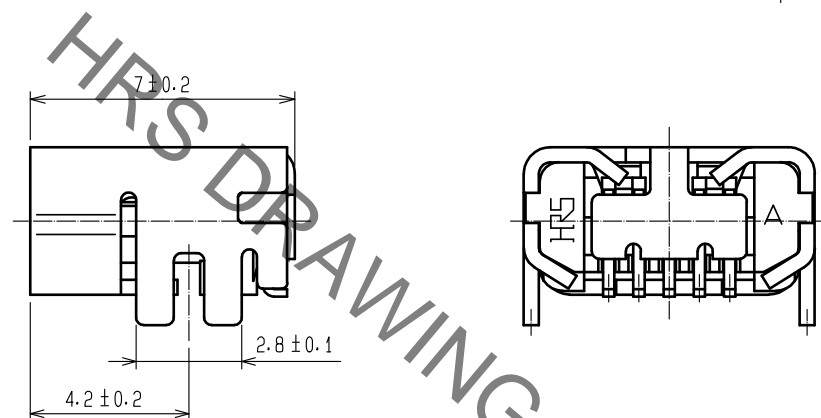
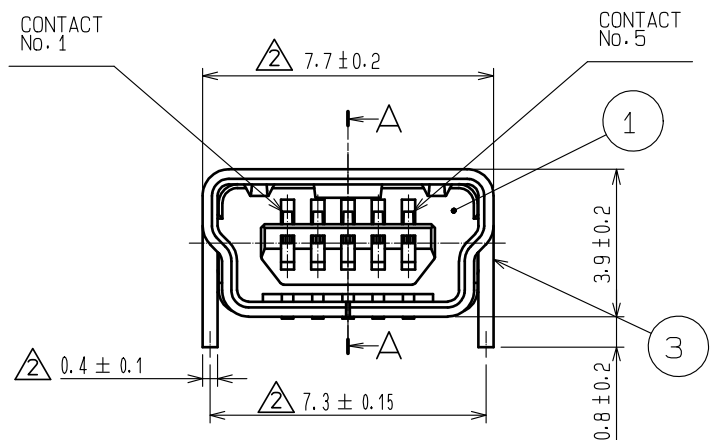
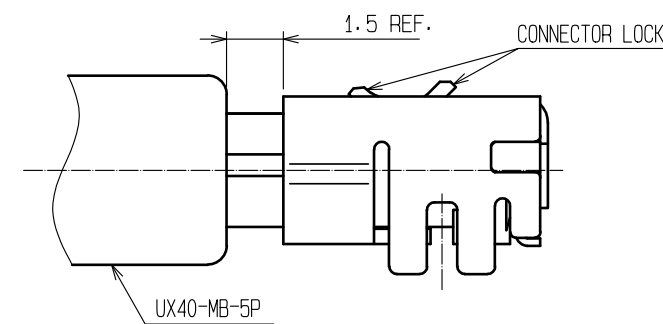
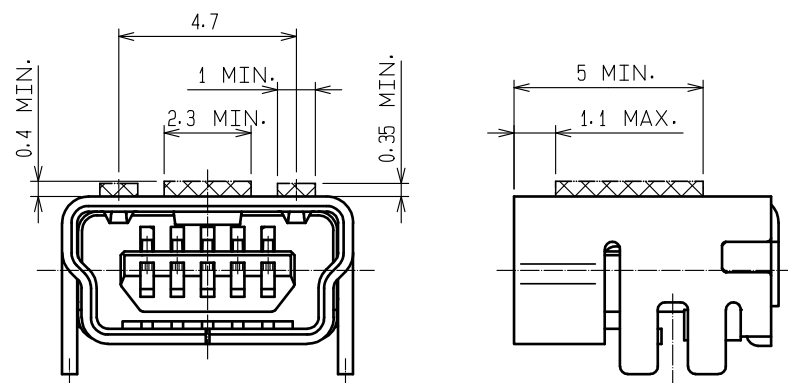
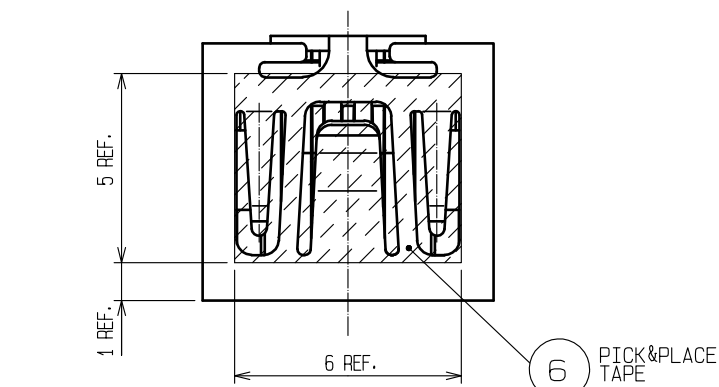


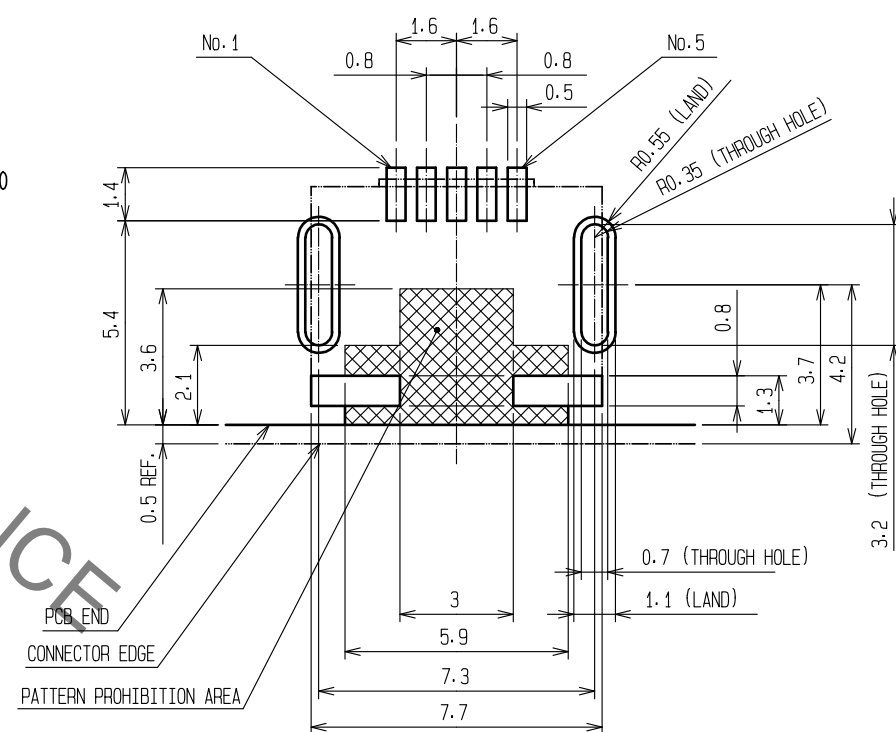
May.1.2023 Copyright 2023 HIROSE ELECTRIC CO., LTD. All Rights Reserved.  
In case of consideration for using Automotive equipment / device which demand high reliability, kindly contact our sales window correspondents.

REFERENCE CONNECTOR LOCK CLEARANCE AREA

MATING FIGURE

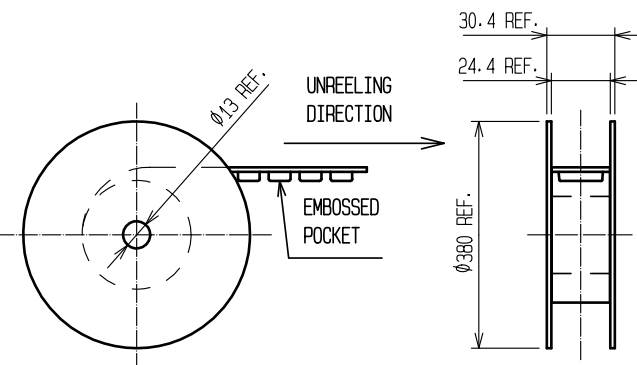
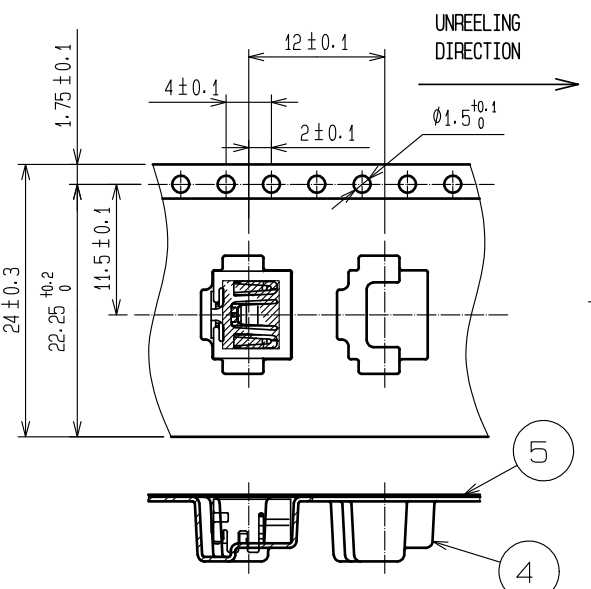


REFERENCE PCB AREA  
(CONNECTOR MOUNTING FACE)



- NOTES.
1. INTERFACE DIMENSIONS CONFORM TO USB2.0 STANDARDS.
  2. 1000 PCS PER REEL.
  3. CONTACTS AND METAL SHELL ARE CO-PLANARITY TO BE 0.1 MAX.

DRAWING FOR PACKING(FREE)



2	COPPER ALLOY	CONTACT AREA : GOLD 0.75 μm MIN. LEED AREA : GOLD 0.03 μm MIN. UNDER PLATING : NICKEL 1.25 μm MIN.	6	PA	(PICK&PLACE TAPE)
1	LCP	UL94V-0 COLOR : BLACK	5	PE	(TOP COVER TAPE)
			4	PS	(EMBOSSSED CARRIER TAPE)
			3	COPPER ALLOY	SURFACE PLATING : TIN 1 μm MIN. UNDER PLATING : NICKEL 1 μm MIN.
NO.	MATERIAL	FINISH . REMARKS	NO.	MATERIAL	FINISH . REMARKS
UNITS	mm	SCALE 5 : 1	COUNT	3	DESCRIPTION OF REVISIONS
		DESIGNED	P. EKSOURIYA		CHECKED
		DATE	16.01.16		
APPROVED : NF. MIYAZAKI		09.02.25	DRAWING NO. EDC3-126060-01		
CHECKED : NF. MIYAZAKI		09.02.25	PART NO. UX60SC-MB-5S8(80)		
DESIGNED : HS. KIKUCHI		09.02.25	CODE NO. CL240-0020-3-80		
DRAWN : HS. KIKUCHI		09.02.25			