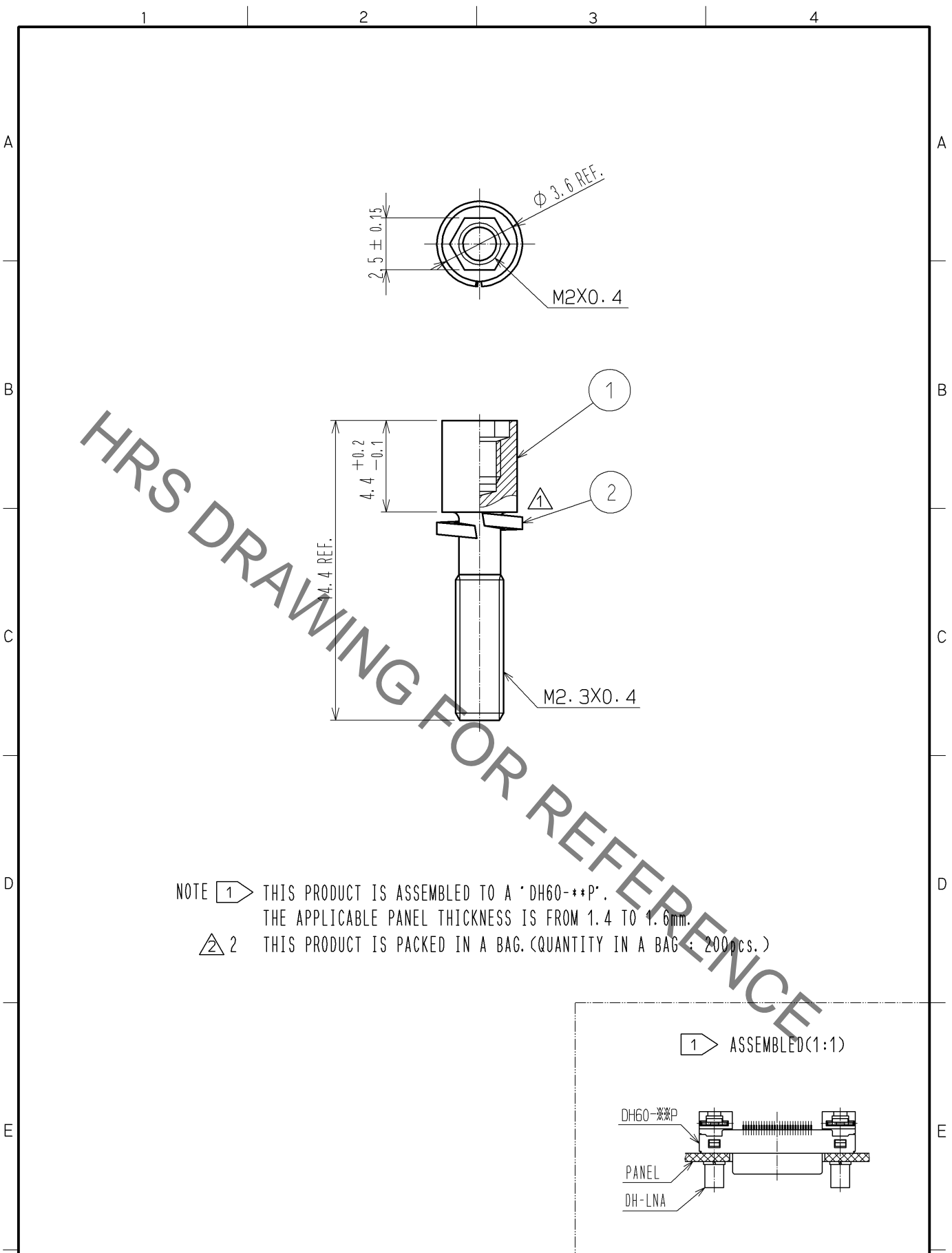
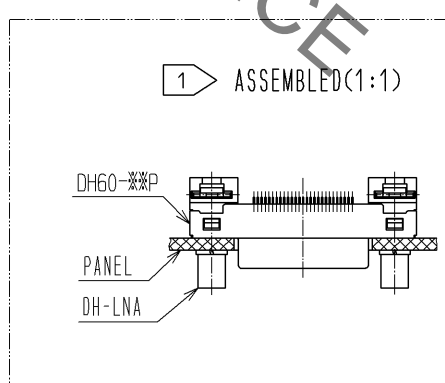


Apr.1.2023 Copyright 2023 HIROSE ELECTRIC CO., LTD. All Rights Reserved.
 In case of consideration for using Automotive equipment / device which demand high reliability, kindly contact our sales window correspondents.



NOTE ① THIS PRODUCT IS ASSEMBLED TO A "DH60-***P".
 THE APPLICABLE PANEL THICKNESS IS FROM 1.4 TO 1.6mm.
 ② THIS PRODUCT IS PACKED IN A BAG. (QUANTITY IN A BAG : 200 pcs.)



1	STEEL	OVER PLATING : NICKEL 5μm MIN UNDER PLATING : COPPER 1μm MIN	2	STEEL	OVER PLATING : NICKEL 5μm MIN UNDER PLATING : COPPER 1μm MIN		
NO.	MATERIAL	FINISH , REMARKS	NO.	MATERIAL	FINISH , REMARKS		
UNITS mm		SCALE 4 : 1	COUNT ② 1	DESCRIPTION OF REVISIONS DIS-E-003059	DESIGNED MO. SHIMOYAMA	CHECKED KN. ICHIKAWA	DATE 09.12.07
HRS HIROSE ELECTRIC CO., LTD.	APPROVED : AO. SUZUKI	09.04.27	DRAWING NO.	EDC4-126895-00			
	CHECKED : MO. SHIMOYAMA	09.04.24	PART NO.	DH-LNA			
	DESIGNED : TS. ITO	09.04.24	CODE NO.	CL244-0045-0-00	②	1/1	
	DRAWN : TS. ITO	09.04.24					