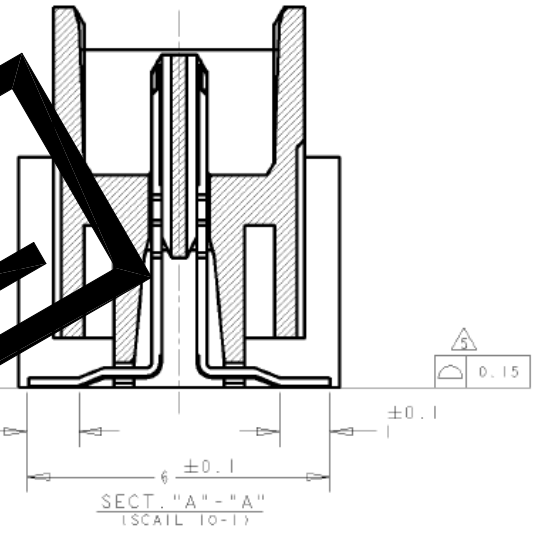
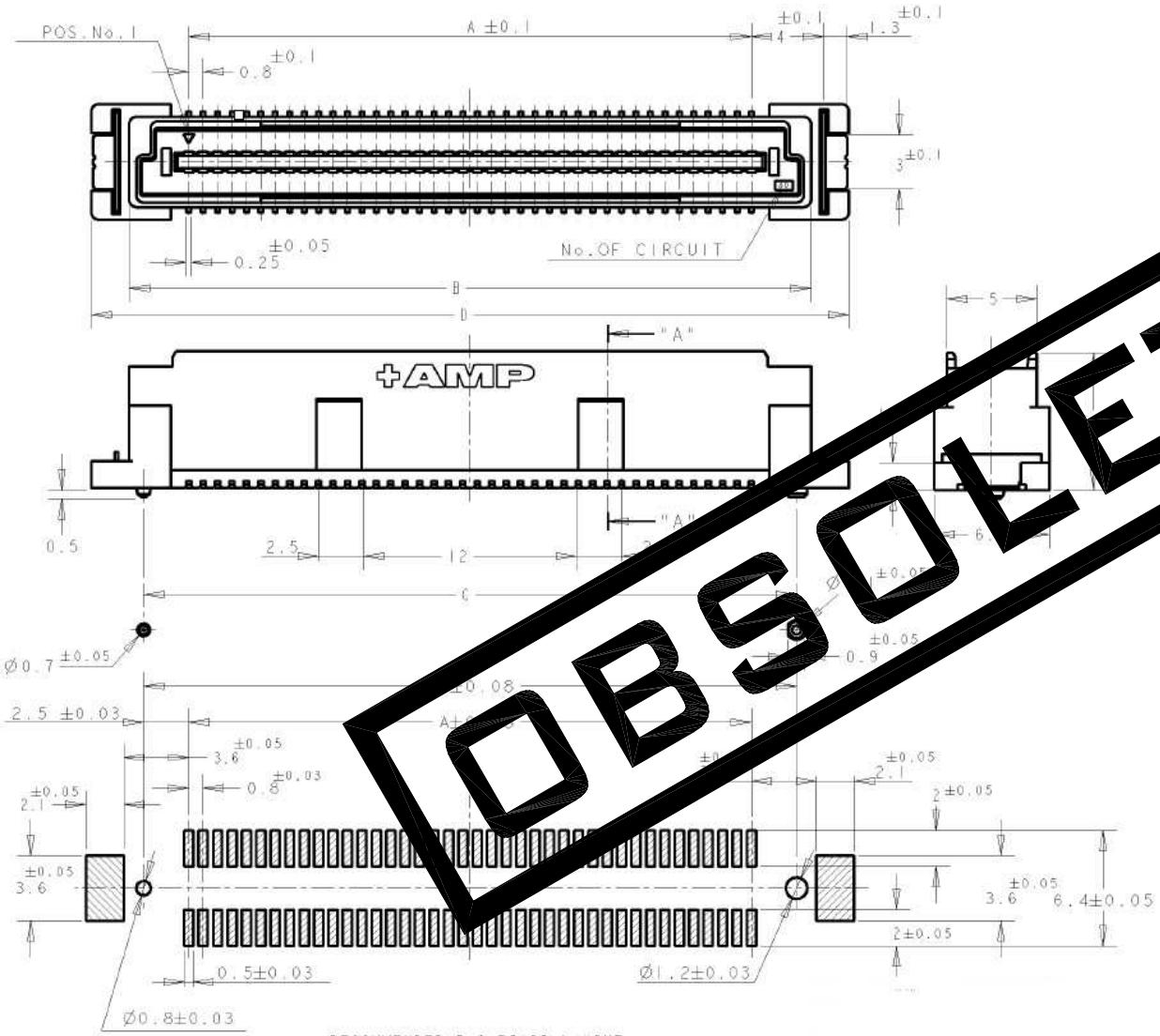


REVISIONS					
P	LTR	DESCRIPTION	DATE	DWN	APVD
A		ECO-20-009897	02MAR2021	A.L	H.L

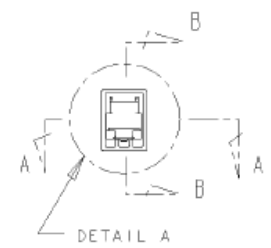
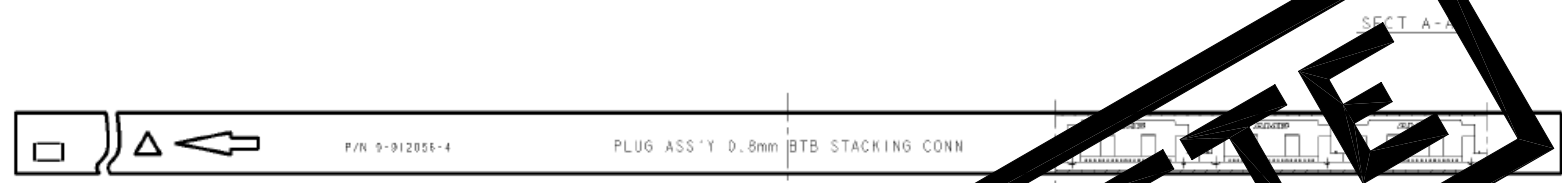
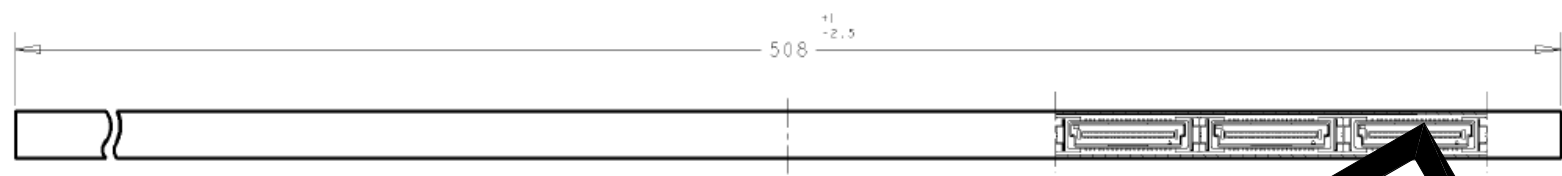


- NOTES:
- △ MATERIAL; HOUSING: L.C.P. (HIGH TEMP THERMO PLASTIC)
UL 94V-0. NATURAL.
CONTACT & SOLDER PEG: BRASS.
 - △ FINISH; CONTACT AREA: 0.0002 MIN GOLD ON
0.0013 MIN ALL OVER NICKEL.
SOLDERING AREA: 0.001 MIN MATTE TIN.
 - 3. POSITION SERIES: SEE TABLE.
 - 4. CONN STACK HEIGHT COMBINE OF PLUG "Y" H VS REC "X" H.
STACK HEIGHT = Y + X - 5
 - △ TINE AND MOUNT METAL HEIGHT SHALL BE 0.15 MAX.
 - △ OBSOLETE PARTS: OBSOLETE CIS STREAMLINING PER D.RENAUD/D.SINISI

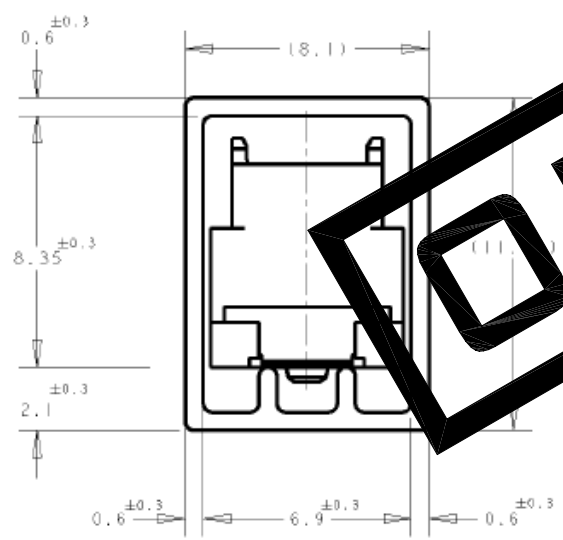
P/N SEE SHEET 2 OF 2

THIS DRAWING IS A CONTROLLED DOCUMENT.		DWN FLORENCE TAN 13SEP04	TE Connectivity		
		CHK ERIC TNG			
DIMENSIONS: mm		TOLERANCES UNLESS OTHERWISE SPECIFIED:		PRODUCT SPEC	
		0 PLC ± -	APPLICATION SPEC		
		1 PLC ± 0.3	WEIGHT		
		2 PLC ± 0.25	SIZE A3 00779		CAGE CODE G=5179562
		3 PLC ± 0.2	DRAWING NO		RESTRICTED TO
		4 PLC ± -	SCALE 1:1		SHEET 1 OF 2
		ANGLES ± 3'	REV A		
MATERIAL - 1		FINISH - 2	CUSTOMER DRAWING		

REVISIONS					
P	LTR	DESCRIPTION	DATE	DWN	APVD
-	-	SEE SHEET 1	-	-	-



REFERENCE PICTURE OF TUBE PACK



DETAIL "B"
(SCALE 5-1)

OBSOLETE

 OBSOLETE	90.0	84.2	85.8	79.2	200	
	82.0	76.2	77.8	71.2	180	
	74.0	68.2	69.8	63.2	160	
 OBSOLETE	66.0	60.2	61.8	55.2	140	
	58.0	52.2	53.8	47.2	120	-5
	50.0	44.2	45.8	39.2	100	-4
 OBSOLETE	42.0	36.2	37.8	31.2	80	
	34.0	28.2	29.8	23.2	60	
	26.0	20.2	21.8	15.2	40	5179562
	D	C	B	A	POS.	P/N

THIS DRAWING IS A CONTROLLED DOCUMENT.

DWN FLORENCE TAN	13SEP04	 TE Connectivity
CHK ERIC TNG	-	
APVD SF LEONG	-	NAME
PRODUCT SPEC -	-	PLUG ASSY WITH SOLDER PEG 8H TYPE FOR FH 0.8MM PITCH B-T-B CONNECTOR STD
APPLICATION SPEC -	-	-
WEIGHT -	-	SIZE A3
MATERIAL -	FINISH -	CAGE CODE 00779
		DRAWING NO C=5179562
		RESTRICTED TO -
		SCALE 1:1
		SHEET 2 OF 2
		REV A

CUSTOMER DRAWING