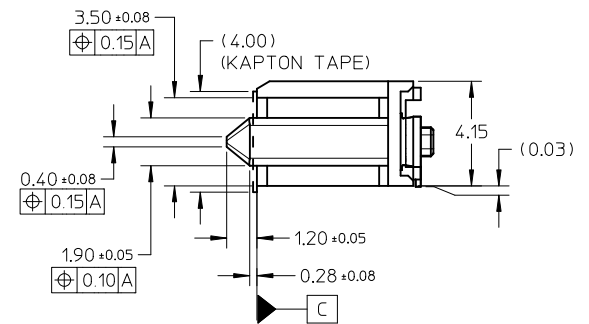
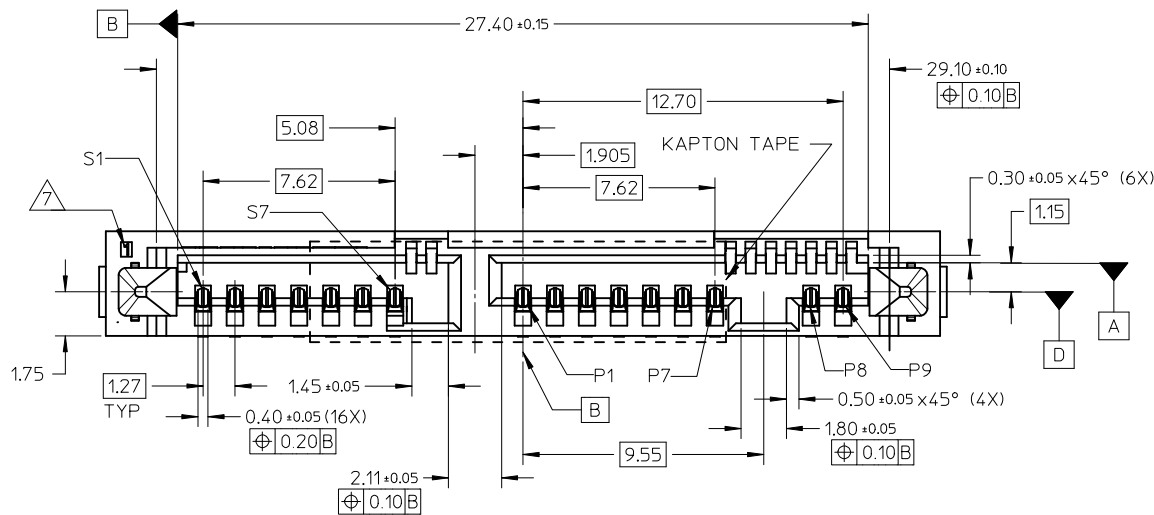


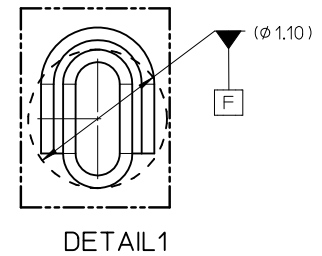
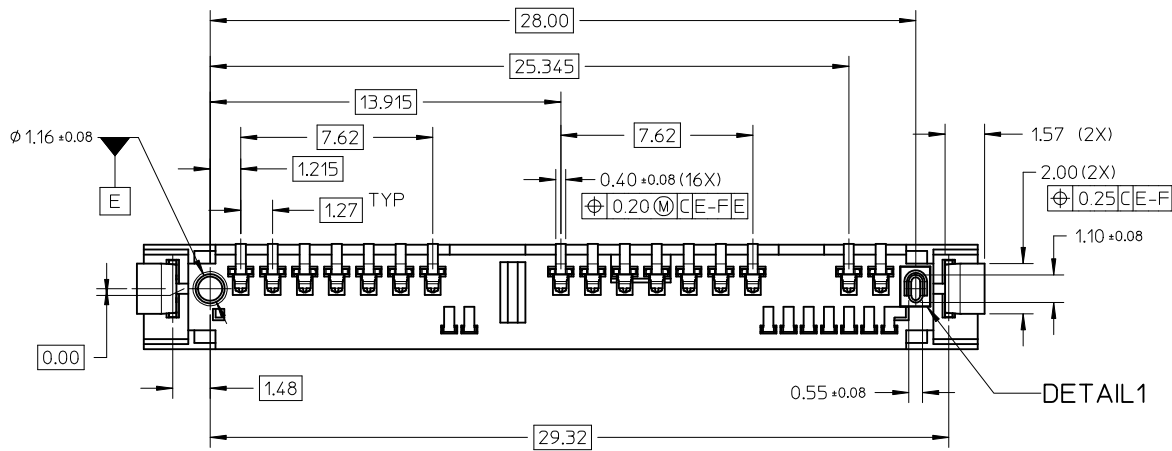
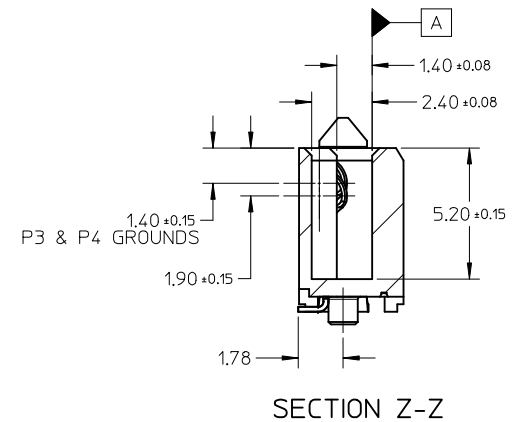
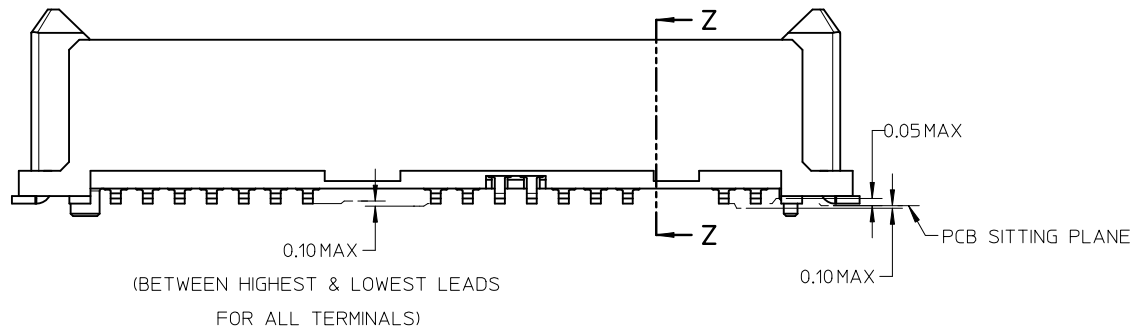
NOTES:

- MATERIAL :
HOUSING: LCP, GLASS FILLED, UL 94V-0, BLACK
TERMINAL/SOLDER TAB : COPPER ALLOY
- PLATING :
TERMINAL :
- CONTACT :0.764μm MIN. SELECTIVE GOLD OVER
1.274μm MIN. NICKEL UNDERPLATE
- SOLDER TAIL :2.544μm MIN. TIN OVER
1.274μm MIN. NICKEL UNDERPLATE
SOLDER TAB : 2.544μm MIN. TIN OVER
1.914μm MIN. NICKEL UNDERPLATE
- PRODUCT SPECIFICATION : PS-78500-001
- PACKAGING SPECIFICATION : PK-78500-001
- MATES WITH : MOLEX MICRO SATA PLUG
- THIS PRODUCT IS COMPLIANT TO RoHS DIRECTIVE WITH THE FOLLOWING BANNED SUBSTANCES - LEAD, MERCURY, CADMIUM, HEXAVALENT CHROMIUM, POLYBROMINATED BIPHENYLS AND POLYBROMINATED DIPHENYLS ETHERS.
△ MOLEX LOGO AND CAVITY NUMBER LOCATED APPROXIMATELY AS SHOWN
- NON FUNCTIONAL CORING MAY VARY



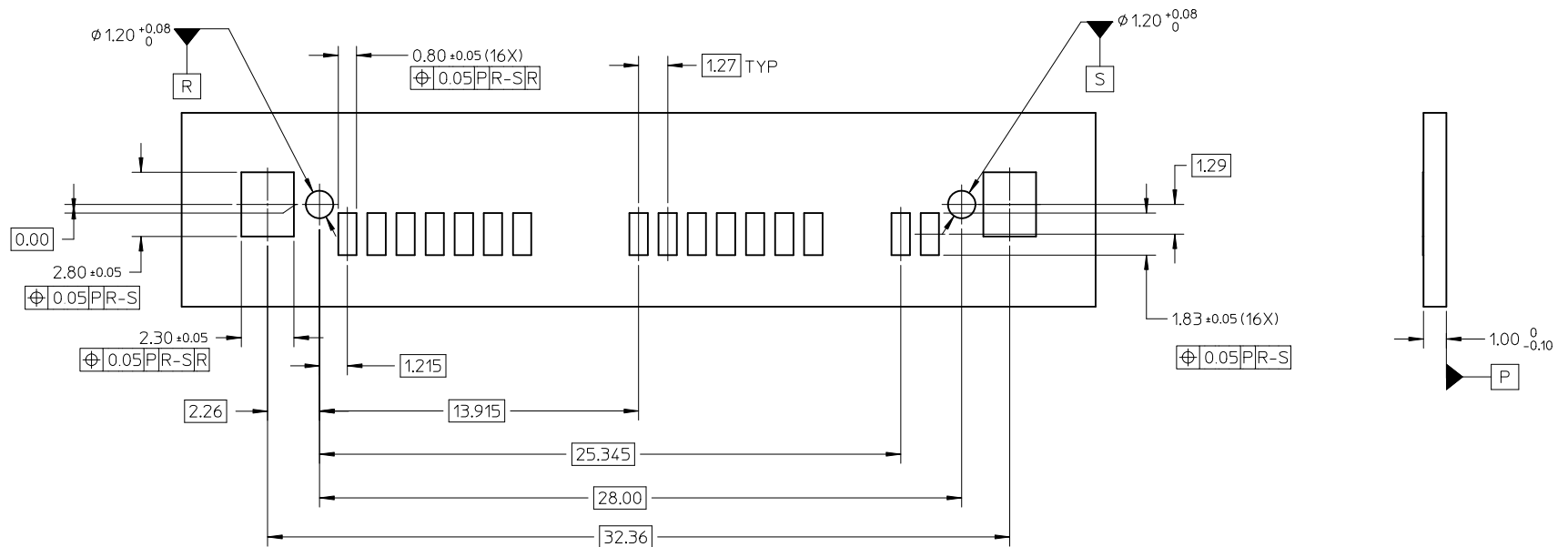
CHANGE PCS/REEL EC NO: S2010-0549 DRAWN: JYAP CHKD: GMENARLY APPR: BOKKOK	REV A1	DESCRIPTION 2010/01/08 2010/01/08 2010/01/08	QUALITY SYMBOLS F _A =0 F _C =0 F _P =0	GENERAL TOLERANCES (UNLESS SPECIFIED)		DIMENSION STYLE MM ONLY		SCALE NTS	DESIGN UNITS METRIC	THIRD ANGLE PROJECTION		
					mm	INCH	DRAWN BY GMENARLY	DATE 2009/04/06	TITLE MICRO SATA RECEPTACLE VERTICAL SMT 1.8 INCH SSD/HDD			
				4 PLACES	± ---	± ---	CHECKED BY CGOH	DATE 2009/04/16	MOLEX INCORPORATED			
				3 PLACES	± ---	± ---	APPROVED BY BOKKOK	DATE 2009/04/16	DOCUMENT NO. SD-78500-001			
ANGULAR ± 3 °		DRAFT WHERE APPLICABLE MUST REMAIN WITHIN DIMENSIONS		MATERIAL NO. 78500-0001	SHEET NO. 1 OF 4							
				SIZE A3	THIS DRAWING CONTAINS INFORMATION THAT IS PROPRIETARY TO MOLEX INCORPORATED AND SHOULD NOT BE USED WITHOUT WRITTEN PERMISSION							

10 9 8 7 6 5 4 3 2 1



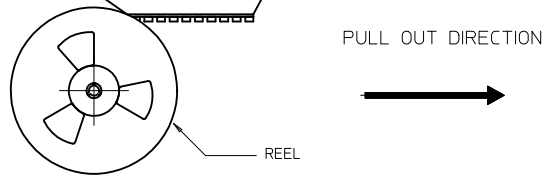
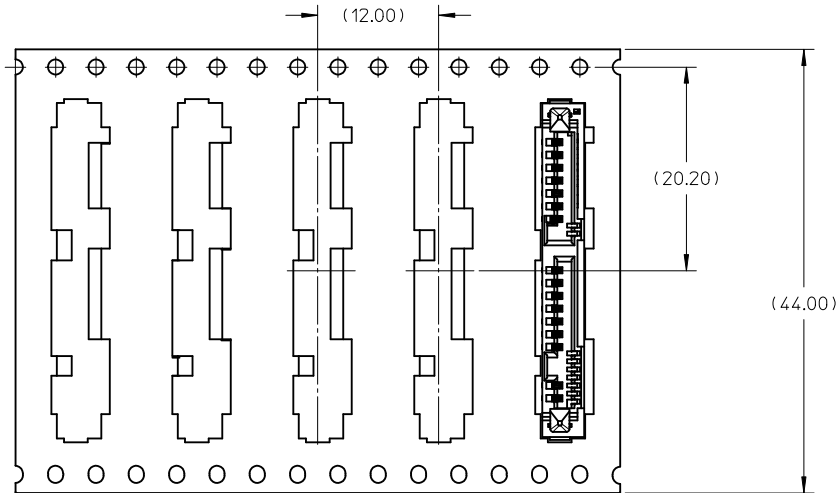
CHANGE PCS/REEL EC NO: S2010-0549 DRWN:WJYAP 2010/01/08 CHKD:GMENARLY 2010/01/08 APPR:BOKOK 2010/01/08	QUALITY SYMBOLS $F_A=0$ $F_C=0$ $F_P=0$	GENERAL TOLERANCES (UNLESS SPECIFIED)		DIMENSION STYLE MM ONLY		SCALE NTS	DESIGN UNITS METRIC	THIRD ANGLE PROJECTION		
		4 PLACES ± --- ± ---	3 PLACES ± --- ± ---	2 PLACES ± 0.20 ± ---	1 PLACE ± --- ± ---	DRAWN BY GMENARLY	DATE 2009/04/06	TITLE MICRO SATA RECEPTACLE VERTICAL SMT 1.8 INCH SSD/HDD		
		ANGULAR ± 3 °				CHECKED BY CGOH	DATE 2009/04/16	MOLEX INCORPORATED		
		DRAFT WHERE APPLICABLE MUST REMAIN WITHIN DIMENSIONS				APPROVED BY BOKOK	DATE 2009/04/16	MATERIAL NO. 78500-0001	DOCUMENT NO. SD-78500-001	SHEET NO. 2 OF 4

9 8 7 6 5 4 3 2 1



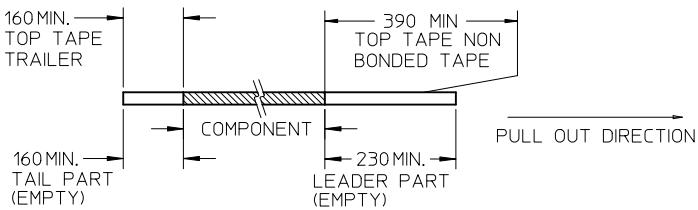
RECOMMENDED PCB LAYOUT

CHANGE PCS/REEL EC NO: S2010-0549 DRWN:WJAP 2010/01/08 CHKD:GMENARLY 2010/01/08 APPR:BOKOK 2010/01/08	QUALITY SYMBOLS $F_A=0$ $F_C=0$ $F_P=0$	GENERAL TOLERANCES (UNLESS SPECIFIED) mm INCH 4 PLACES ± --- ± --- 3 PLACES ± --- ± --- 2 PLACES ± 0.20 ± --- 1 PLACE ± --- ± --- ANGULAR ± 3 °	DIMENSION STYLE MM ONLY DRAWN BY GMENARLY DATE 2009/04/06 CHECKED BY CGOH DATE 2009/04/16 APPROVED BY BOKOK DATE 2009/04/16	SCALE NTS DESIGN UNITS METRIC THIRD ANGLE PROJECTION	TITLE MICRO SATA RECEPTACLE VERTICAL SMT 1.8 INCH SSD/HDD
	DRAFT WHERE APPLICABLE MUST REMAIN WITHIN DIMENSIONS	MATERIAL NO. 78500-0001	MOLEX INCORPORATED DOCUMENT NO. SD-78500-001	SHEET NO. 3 OF 4	
	SIZE A3	THIS DRAWING CONTAINS INFORMATION THAT IS PROPRIETARY TO MOLEX INCORPORATED AND SHOULD NOT BE USED WITHOUT WRITTEN PERMISSION			
	REV A1				

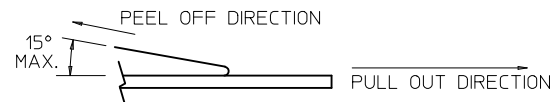


NOTES:

1. LEADER AND TRAILER TAPE



2. PEELING OFF FORCE OF THE TOP TAPE: 20 - 80gf.
(PEELING DIRECTION AS SHOWN IN FOLLOWING FIGURE)



- 3. TAPE AND REEL SPECIFICATION IS AS PER EIA-481.
- 4. TAPE AND REEL QUANTITY : 450 PCS/ REEL.
- 5. THE TAPE IS TREATED FOR ANTI-STATIC.

CHANGE PCS/REEL EC NO: S2010-0549 DRWN:WJAP 2010/01/08 CHKD:GMENARLY 2010/01/08 APPR:BOKOK 2010/01/08	REV A1	DESCRIPTION	QUALITY SYMBOLS	$F_A=0$	$F_C=0$	$F_P=0$	GENERAL TOLERANCES (UNLESS SPECIFIED)	DIMENSION STYLE		SCALE	DESIGN UNITS	THIRD ANGLE PROJECTION	
						mm		INCH	MM ONLY	NTS	METRIC		
						4 PLACES		± ---	± ---	DRAWN BY	DATE		TITLE
						3 PLACES		± ---	± ---	GMENARLY	2009/04/06		MICRO SATA RECEPTACLE VERTICAL SMT 1.8 INCH SSD/HDD
			2 PLACES	± 0.20	± ---	CHECKED BY	DATE						
			1 PLACE	± ---	± ---	CGOH	2009/04/16						
			ANGULAR ± 3 °			APPROVED BY	DATE	MOLEX INCORPORATED					
			DRAFT WHERE APPLICABLE MUST REMAIN WITHIN DIMENSIONS			BOKOK	2009/04/16	MATERIAL NO.	DOCUMENT NO.	SHEET NO.			
						78500-0001	78500-0001	78500-0001	4 OF 4				
THIS DRAWING CONTAINS INFORMATION THAT IS PROPRIETARY TO MOLEX INCORPORATED AND SHOULD NOT BE USED WITHOUT WRITTEN PERMISSION													