

2008

RELEASED FOR PUBLICATION

ALL RIGHTS RESERVED.

THIS DRAWING IS UNPUBLISHED.

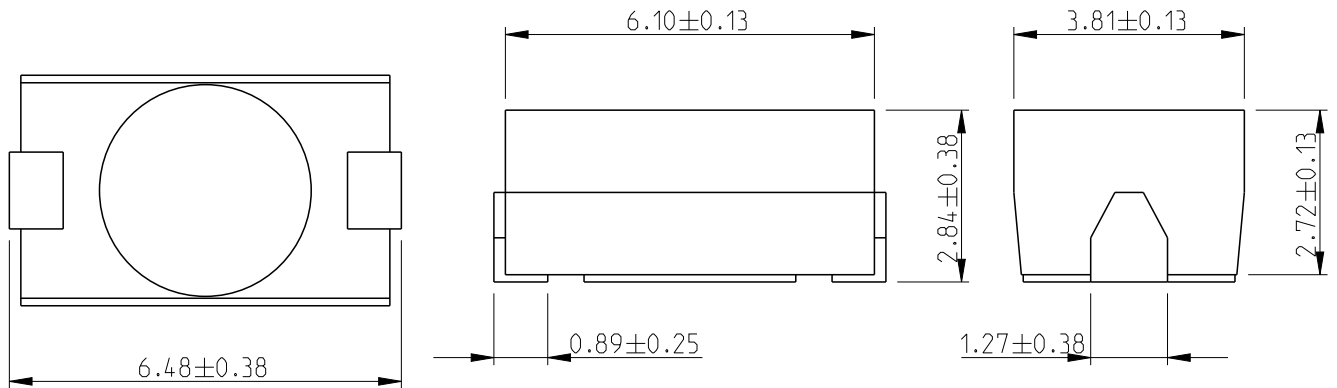
BY -

© COPYRIGHT 2008

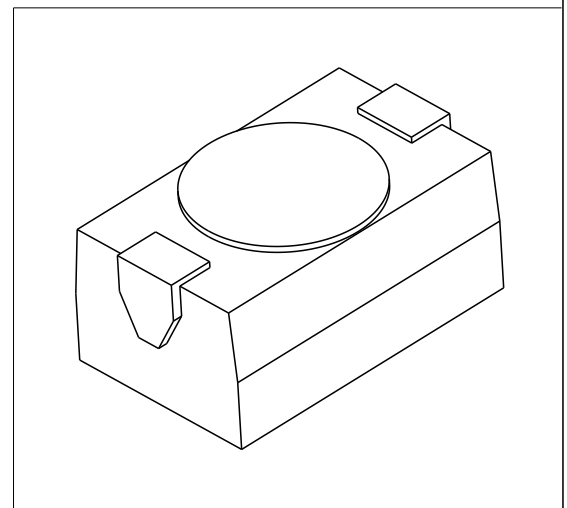
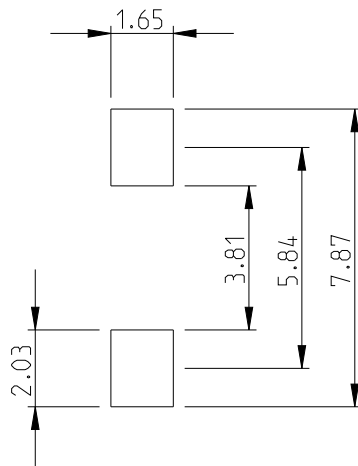
REVISIONS


P	LTR	DESCRIPTION	DATE	DWN	APVD
	BA	NEW RELEASE	10JULY2010	PT	St.P
	BA1	ECR-13-018622	28NOV2013	KR	TN

FOR FURTHER INFORMATION SEE DATA SHEET FOR SERIES S - SMD MOULDED POWER RESISTOR



RECOMMENDED LAND PATTERN



DIMENSIONS: mm	DWN PARUSURAM.T	10JULY2010	MATERIAL	-	FINISH	-
	CHK ALLAN.P	10JULY2010	 TE Connectivity			
TOLERANCES UNLESS OTHERWISE SPECIFIED:	APVD STEPHEN.P	10JULY2010				
	0 PLC $\pm 0.2$	PRODUCT SPEC	SIZE	CAGE CODE	DRAWING NO	RESTRICTED TO
1 PLC $\pm 0.1$		-	A 4	00779	C=1624255	-
2 PLC $\pm$	APPLICATION SPEC	-	Customer Drawing			
3 PLC $\pm$		-	SCALE	8:1	SHEET	1 OF 1
4 PLC $\pm$	WEIGHT	-	REV BA1			
ANGLES $\pm 5^\circ$						