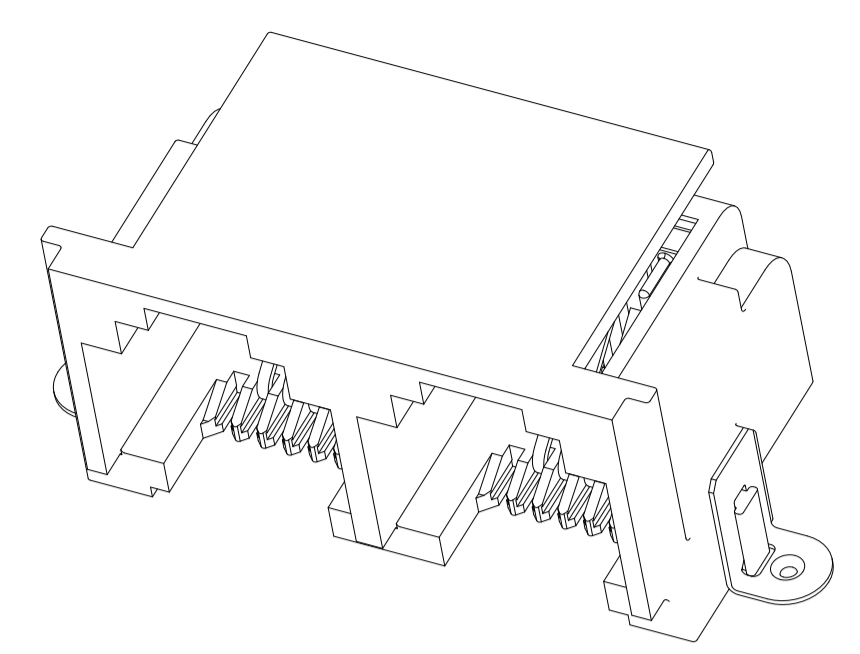
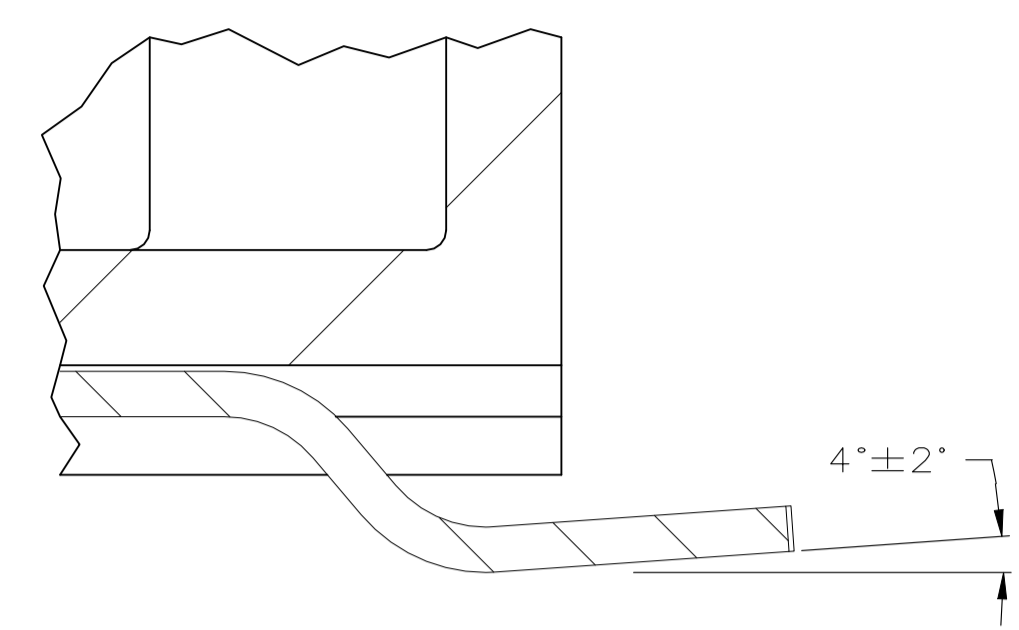
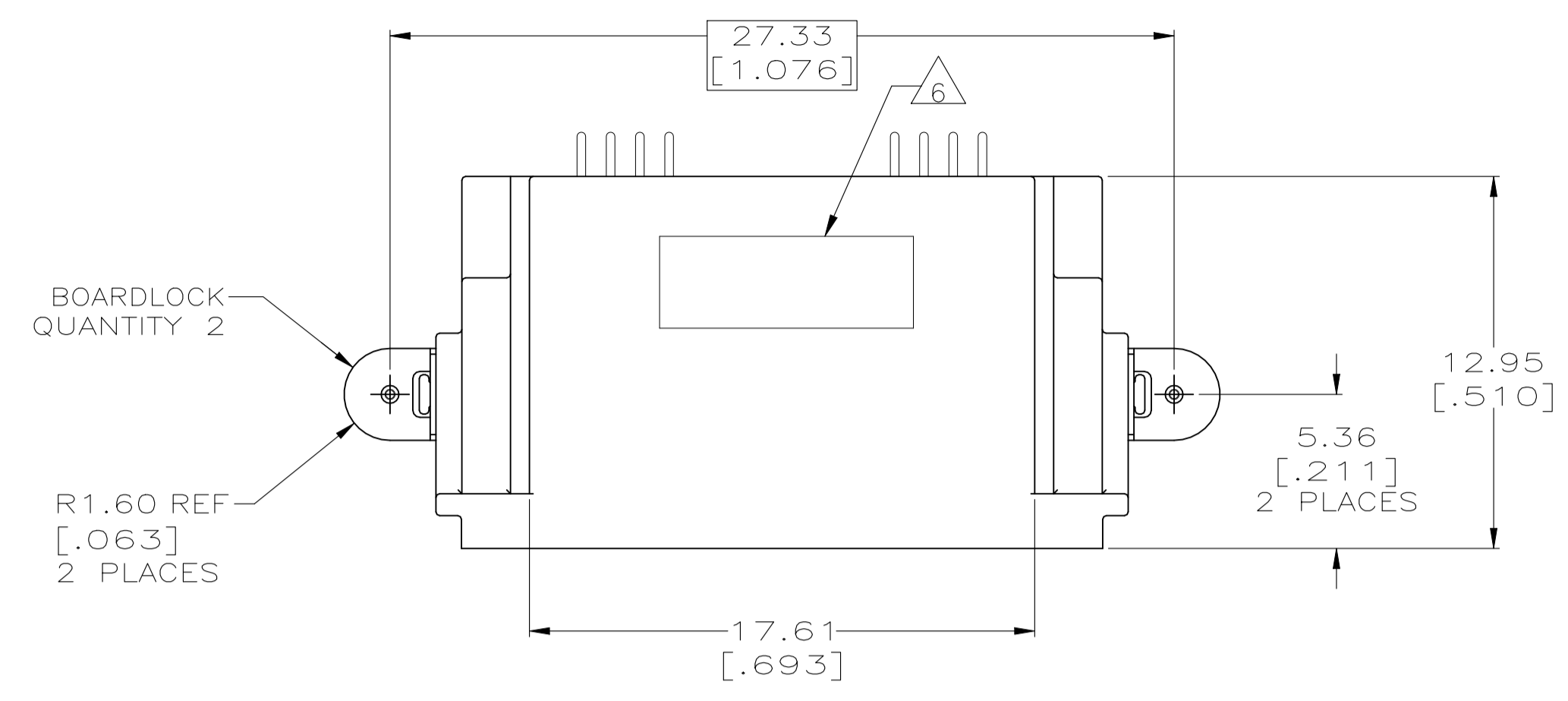
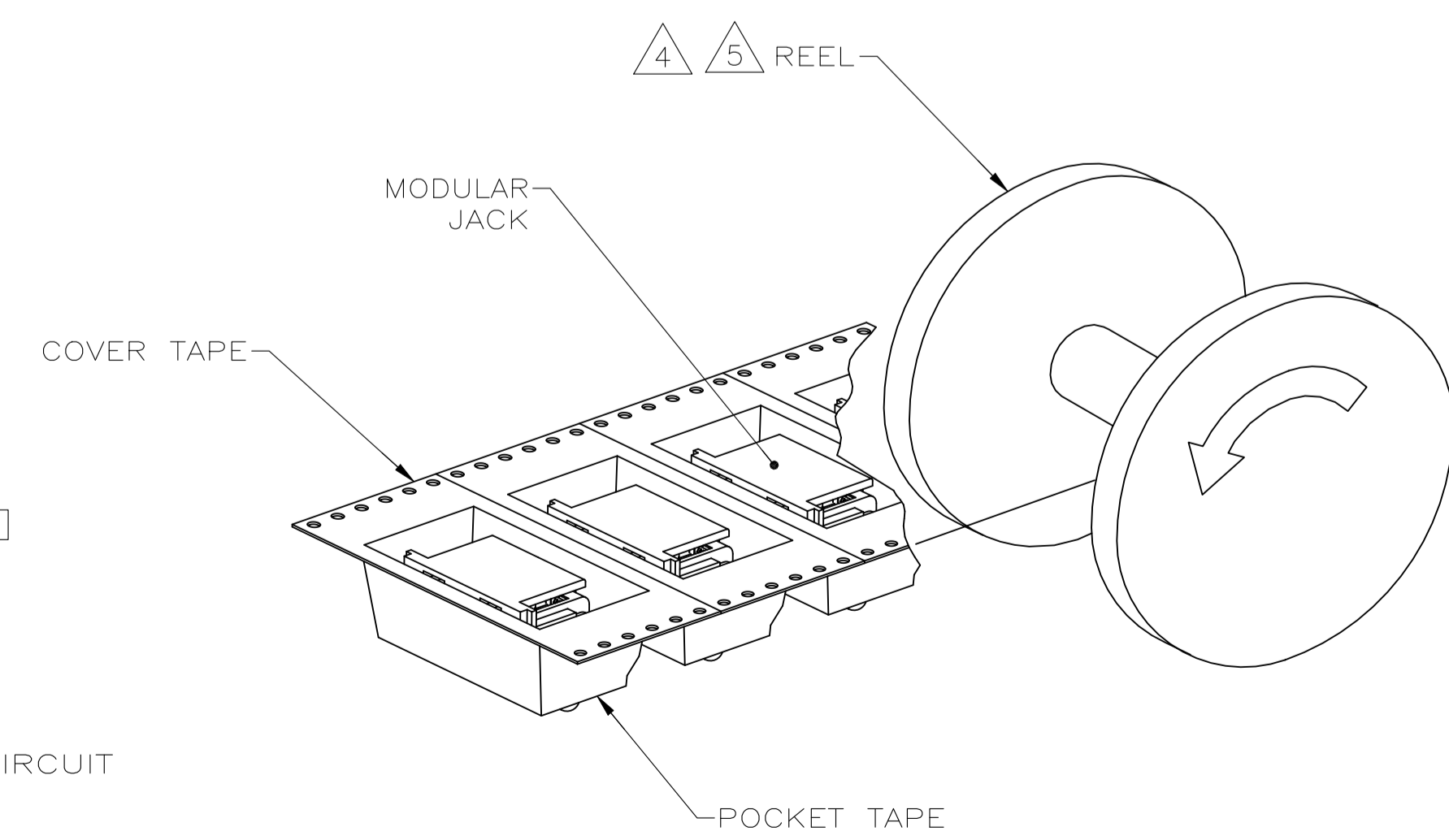
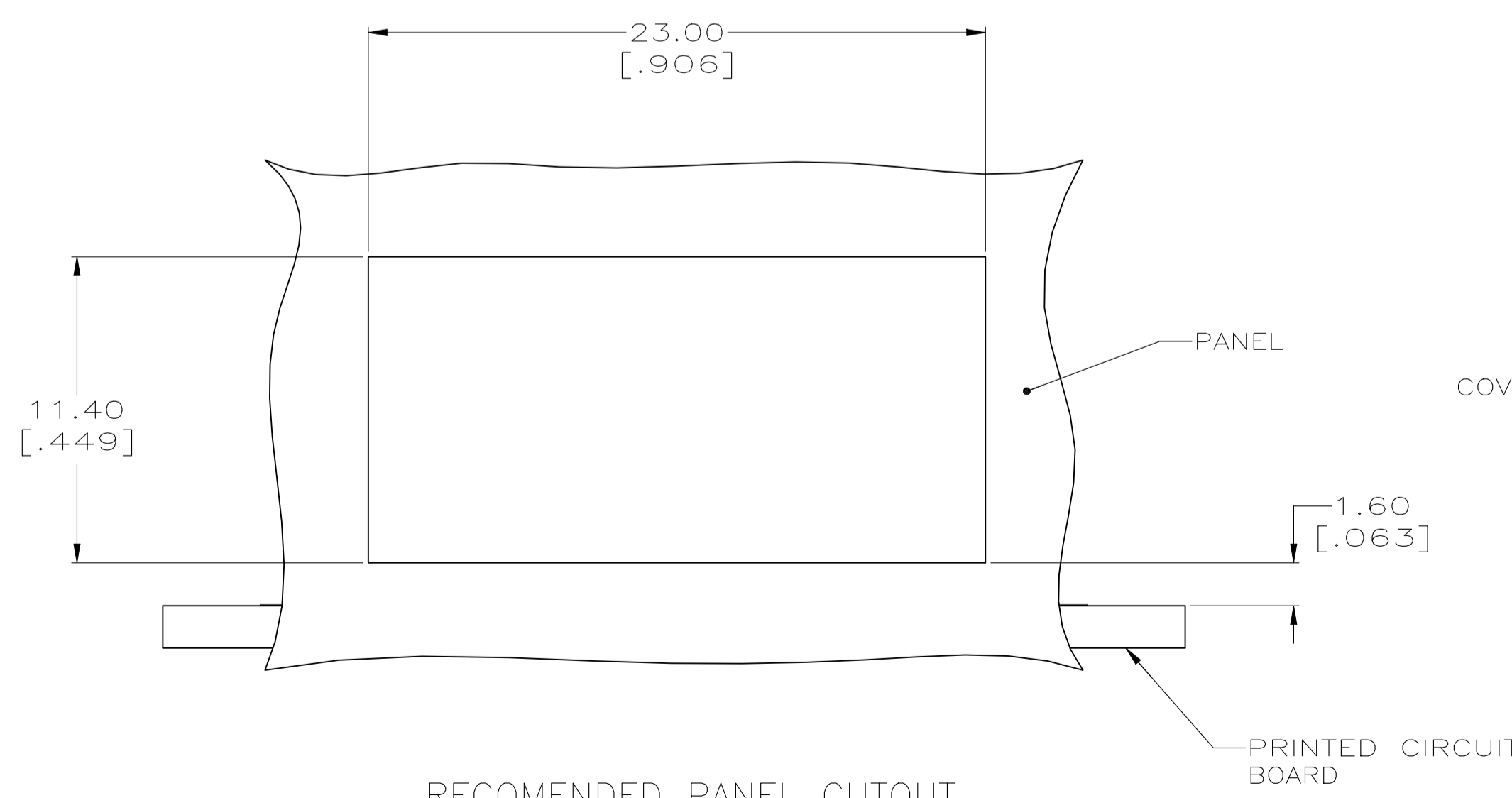
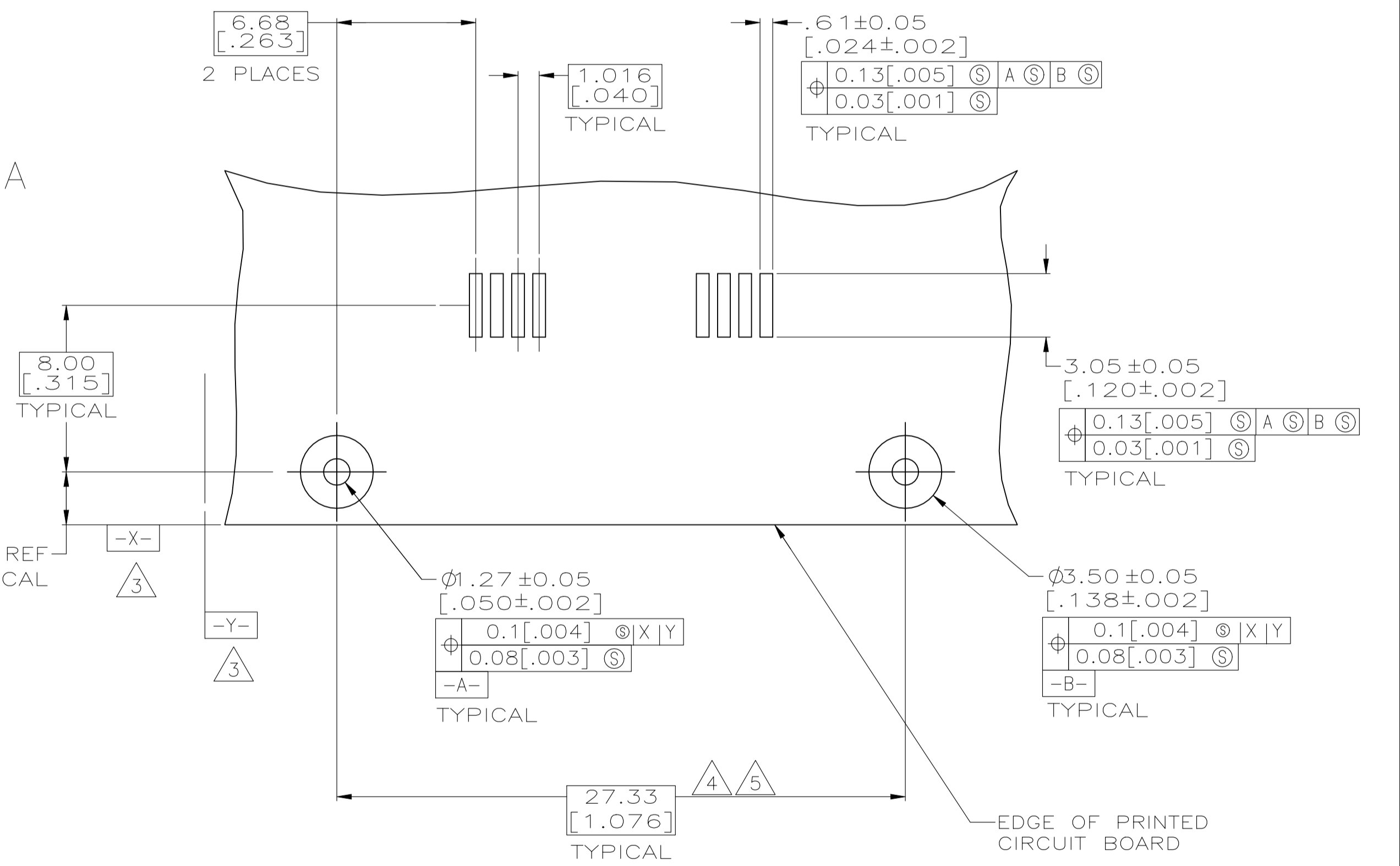
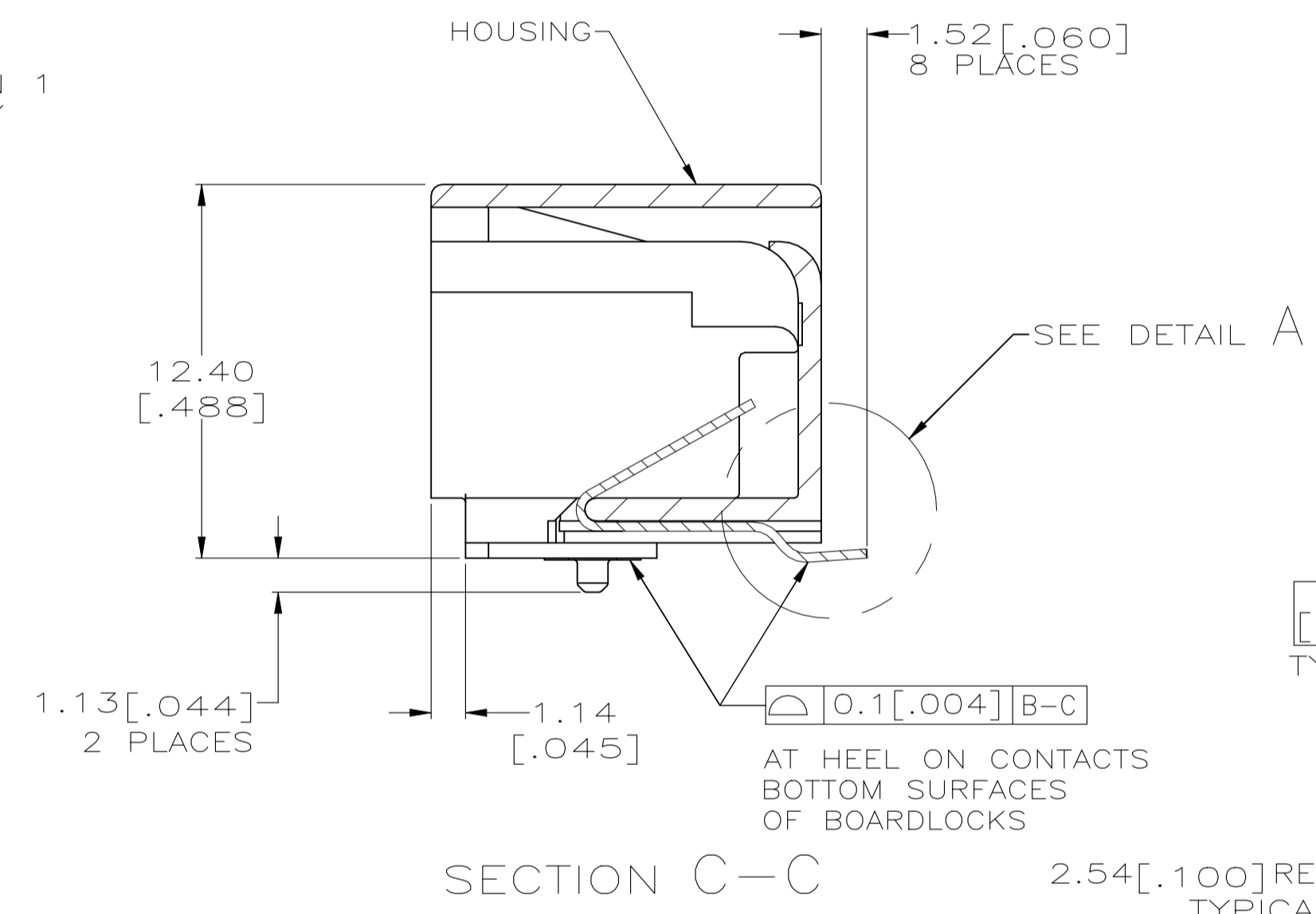
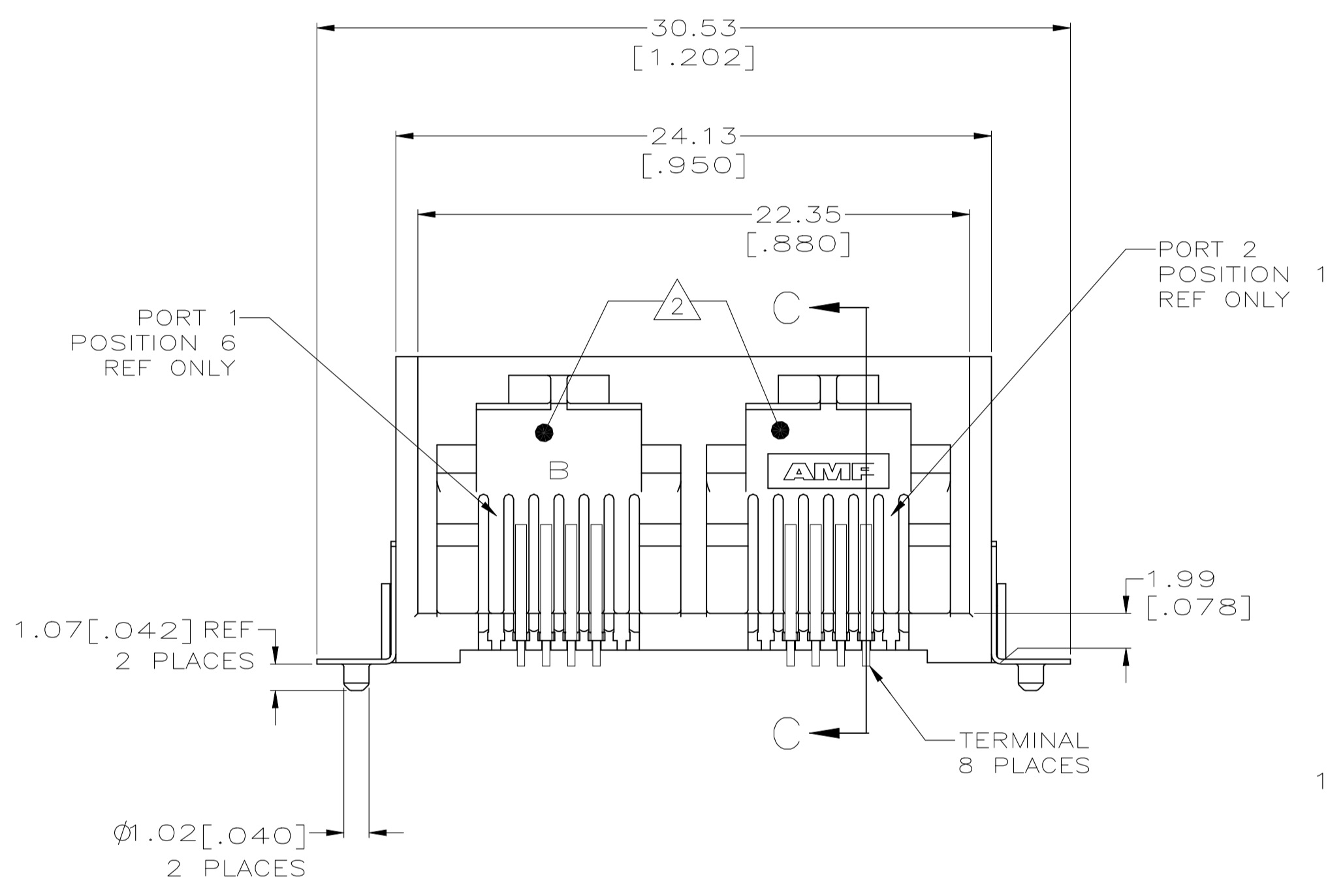


REVISIONS					
REV	DATE	DESCRIPTION	BY	CHK	APPV
B1	16NOV2022	REVISED PER ECN-22-184798	AK	SZ	



- 1 MATERIAL: HOUSING – HIGH TEMPERATURE THERMOPLASTIC, SEE TABLE FOR COLOR. TERMINALS – 0.3[.012] THICK COPPER ALLOY PLATED WITH 1.27µm[.000050] MINIMUM GOLD IN LOCALIZED CONTACT AREA, 2.5µm[.000100] MINIMUM MATTE TIN ON TERMINATION END, OVER 1.27µm[.000050] MINIMUM NICKEL OVER THE ENTIRE TERMINAL. BOARDLOCK – BRASS, 1/2 HARD, 2.54µm[.000100] MINIMUM MATTE TIN OVER 1.27µm[.000050] MINIMUM NICKEL.
- 2 JACK CAVITY CONFORMS TO FCC RULES AND REGULATIONS, PART 68 SUBPART F.
- 3 DATUM ESTABLISHED BY CUSTOMER.
- 4 PACKAGING TAPE AND REEL:(PER EIA 481 SPEC) TAPE – 44mm[1.73] WIDE POCKET PITCH – 24mm[.945] CORRUGATED REEL DIAMETER – 560mm[22.0] PIECES/REEL – 650
- 5 PACKAGING TAPE AND REEL:(PER EIA 481 SPEC) TAPE – 44mm[1.73] WIDE POCKET PITCH – 24mm[.945] PLASTIC REEL DIAMETER – 330mm[13.0] PIECES/REEL – 200
- 6 MANUFACTURING DATE CODE LOCATED APPROXIMATELY AS SHOWN. FIRST 2 DIGITS ARE YEAR, SECOND 2 DIGITS ARE WORK WEEK, AND LAST DIGIT IS DAY OF THE WEEK



OBsolete	Color	Package	Part Number
OBsolete	LEMON-YELLOW	5	5406393-5
OBsolete	BLACK	5	5406393-3
	GRAY	4	5406393-1

THIS DRAWING IS A CONTROLLED DOCUMENT.		DIN J. ALCORTA - 09JUN2005		TE Connectivity	
DIMENSIONS: mm		CHK: J. WESTMAN		NAME: S. FLICKINGER	
TOLERANCES UNLESS OTHERWISE SPECIFIED:		APVD: S. FLICKINGER		PRODUCT SPEC: 108-1689	
0. PLC ± -		APPLICATION SPEC: 114-6040		SIZE: A1	
1. PLC ± ± 0.13[.005]		WEIGHT: -		CAGE CODE: 5406393	
2. PLC ± ± -		CUSTOMER DRAWING		SCALE: 5:1	
3. PLC ± ± -		SHEET: 1 of 1		REV: B1	
4. PLC ANGLES ± ± -					
FINISH: -					