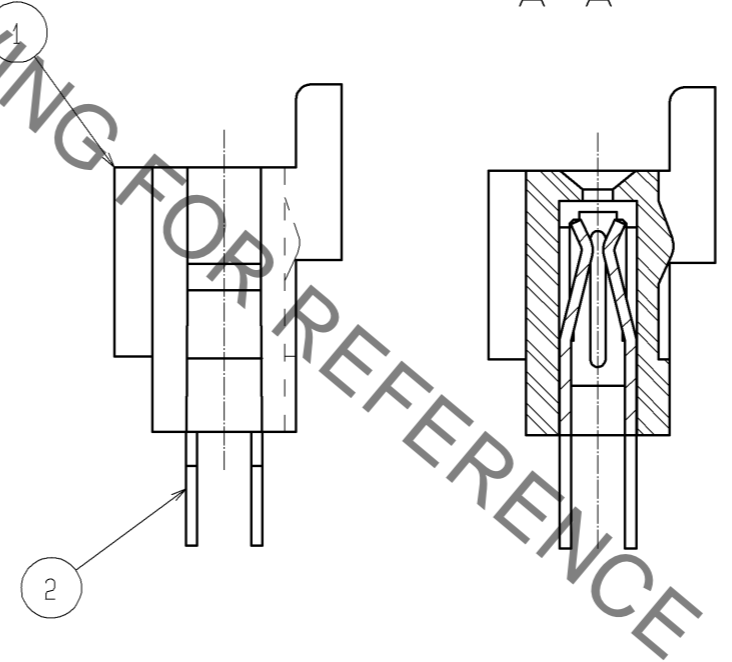
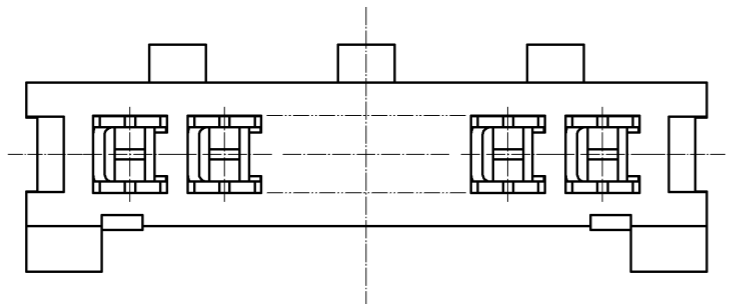
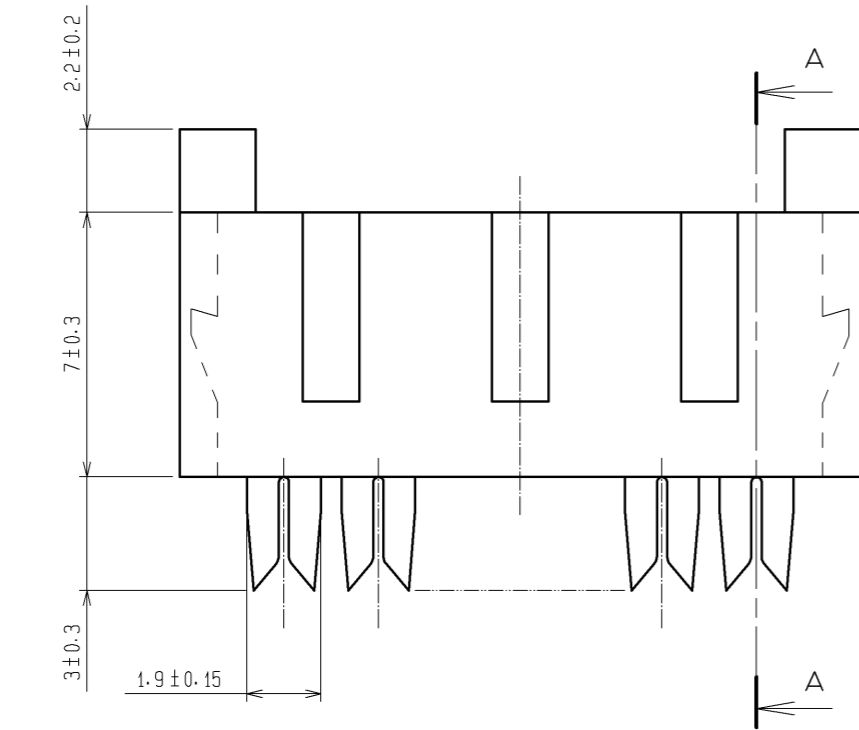
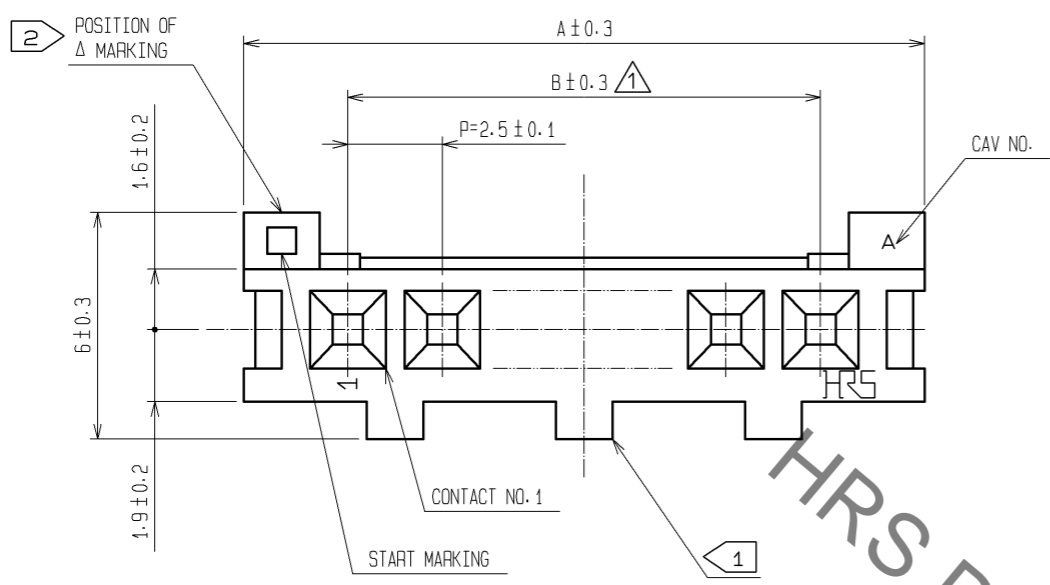


Apr.1.2023 Copyright 2023 HIROSE ELECTRIC CO., LTD. All Rights Reserved.  
In case of consideration for using Automotive equipment / device which demand high reliability, kindly contact our sales window correspondents.



CODE No.	PART No.	NUMBER OF CONTACT	A	B
541-0039-2-05	DF1- 2S-2.5R24(05)	2	8.0	2.5
541-0040-1-05	DF1- 3S-2.5R24(05)	3	10.5	5.0
541-0041-4-05	DF1- 4S-2.5R24(05)	4	13.0	7.5
541-0042-7-05	DF1- 5S-2.5R24(05)	5	15.5	10.0
541-0043-0-05	DF1- 6S-2.5R24(05)	6	18.0	12.5
541-0044-2-05	DF1- 7S-2.5R24(05)	7	20.5	15.0
541-0045-5-05	DF1- 8S-2.5R24(05)	8	23.0	17.5
541-0046-8-05	DF1- 9S-2.5R24(05)	9	25.5	20.0
541-0047-0-05	DF1-10S-2.5R24(05)	10	28.0	22.5
541-0048-3-05	DF1-11S-2.5R24(05)	11	30.5	25.0
541-0049-6-05	DF1-12S-2.5R24(05)	12	33.0	27.5
541-0050-5-05	DF1-13S-2.5R24(05)	13	35.5	30.0
541-0051-8-05	DF1-14S-2.5R24(05)	14	38.0	32.5
541-0052-0-05	DF1-15S-2.5R24(05)	15	40.5	35.0
541-0053-3-05	DF1-16S-2.5R24(05)	16	43.0	37.5
541-0057-4-05	DF1-20S-2.5R24(05)	20	53.0	47.5

NOTES  
 1 2 POSITION TO BE PROTRUSION AT CENTER FOR ONE LOCATION 3 TO 6 POSITIONS UNLOCATED OTHER POSITION TO BE AS SHOWN IN FIGURE.  
 2 COLOR OF Δ MARKING: GREEN.  
 3 APPLICABLE CABLE: UL1007 AWG24.

NO.	MATERIAL	FINISH	REMARKS	NO.	MATERIAL	FINISH	REMARKS
1	POLYAMIDE		PALE BROWN, UL94V-0	2	PHOSPHOR BRONZE		TIN PLATED 2#m min

UNITS	SCALE	COUNT	DESCRIPTION OF REVISIONS	DESIGNED	CHECKED	DATE
mm	5 : 1	1	DIS-H-006064	MI. SAKIMURA	HK. UMEHARA	11. 08. 05

APPROVED	: TY. OMA	05. 08. 11	DRAWING NO.	EDC3-162345-01
CHECKED	: HK. UMEHARA	05. 08. 11	PART NO.	DF1- * S-2. 5R24(05)
DESIGNED	: IO. DENPOUYA	05. 08. 11	CODE NO.	CL541-
DRAWN	: MK. MATSUO	05. 08. 03		