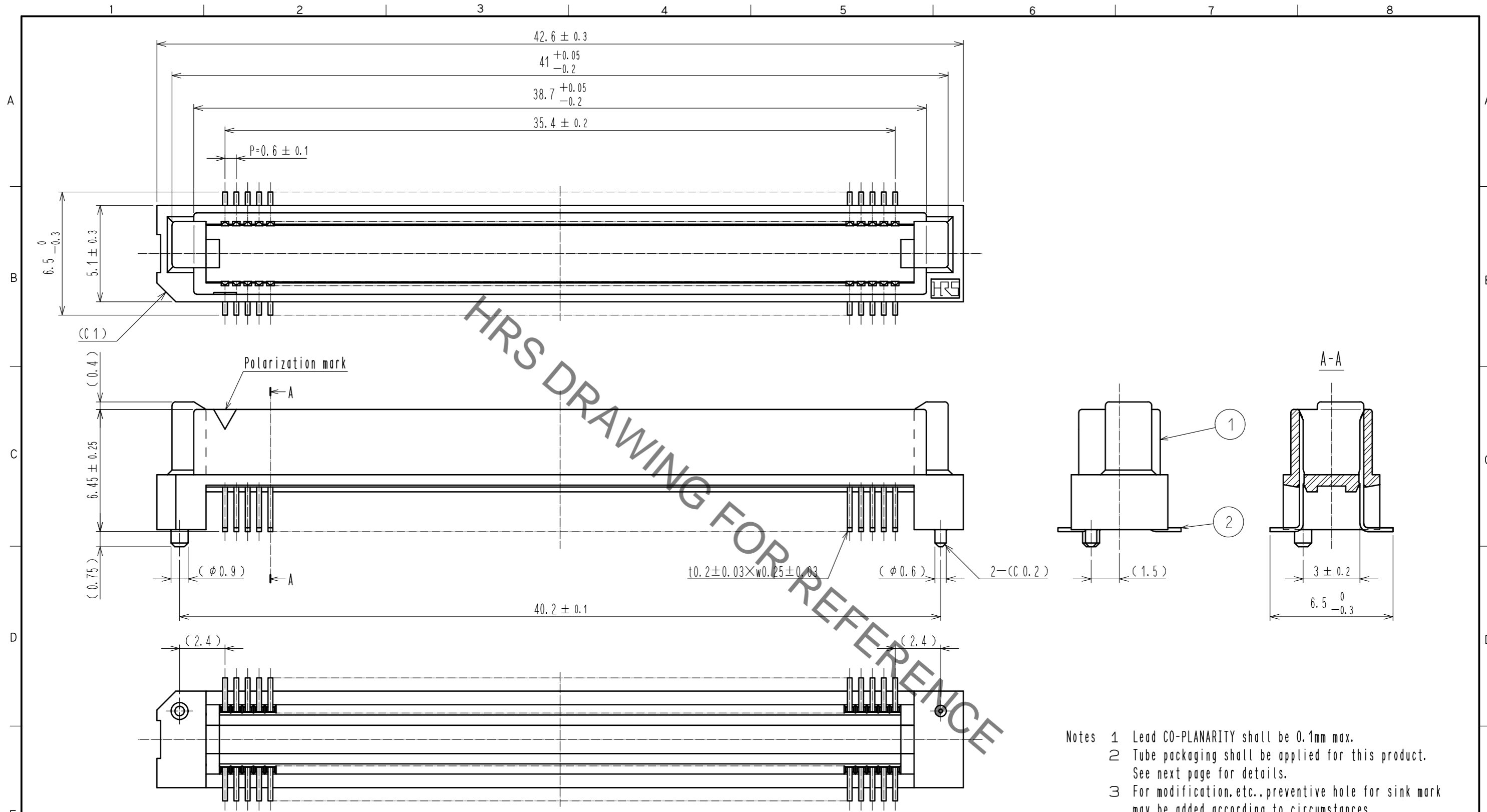
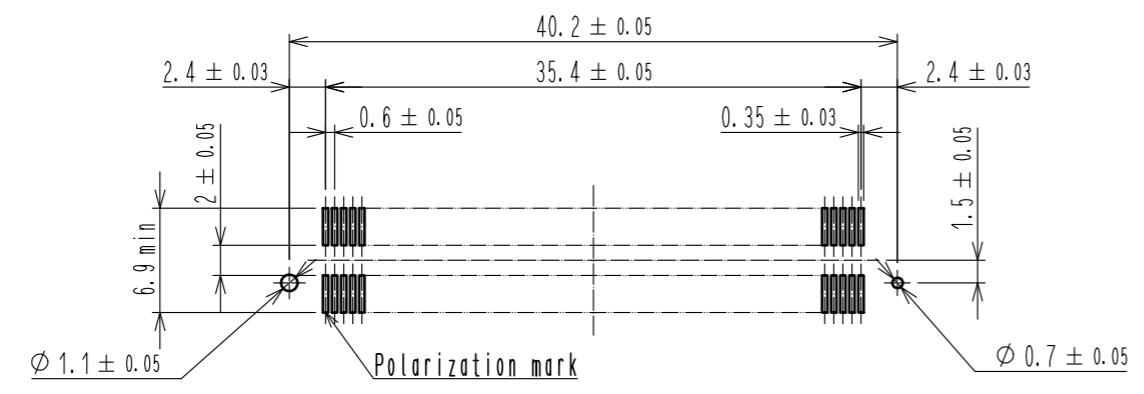


May.1.2023 Copyright 2023 HIROSE ELECTRIC CO., LTD. All Rights Reserved.
In case of consideration for using Automotive equipment / device which demand high reliability, kindly contact our sales window correspondents.



- Notes
- 1 Lead CO-PLANARITY shall be 0.1mm max.
 - 2 Tube packaging shall be applied for this product. See next page for details.
 - 3 For modification, etc., preventive hole for sink mark may be added according to circumstances.
 - 4 The dimensions in parentheses are for reference.

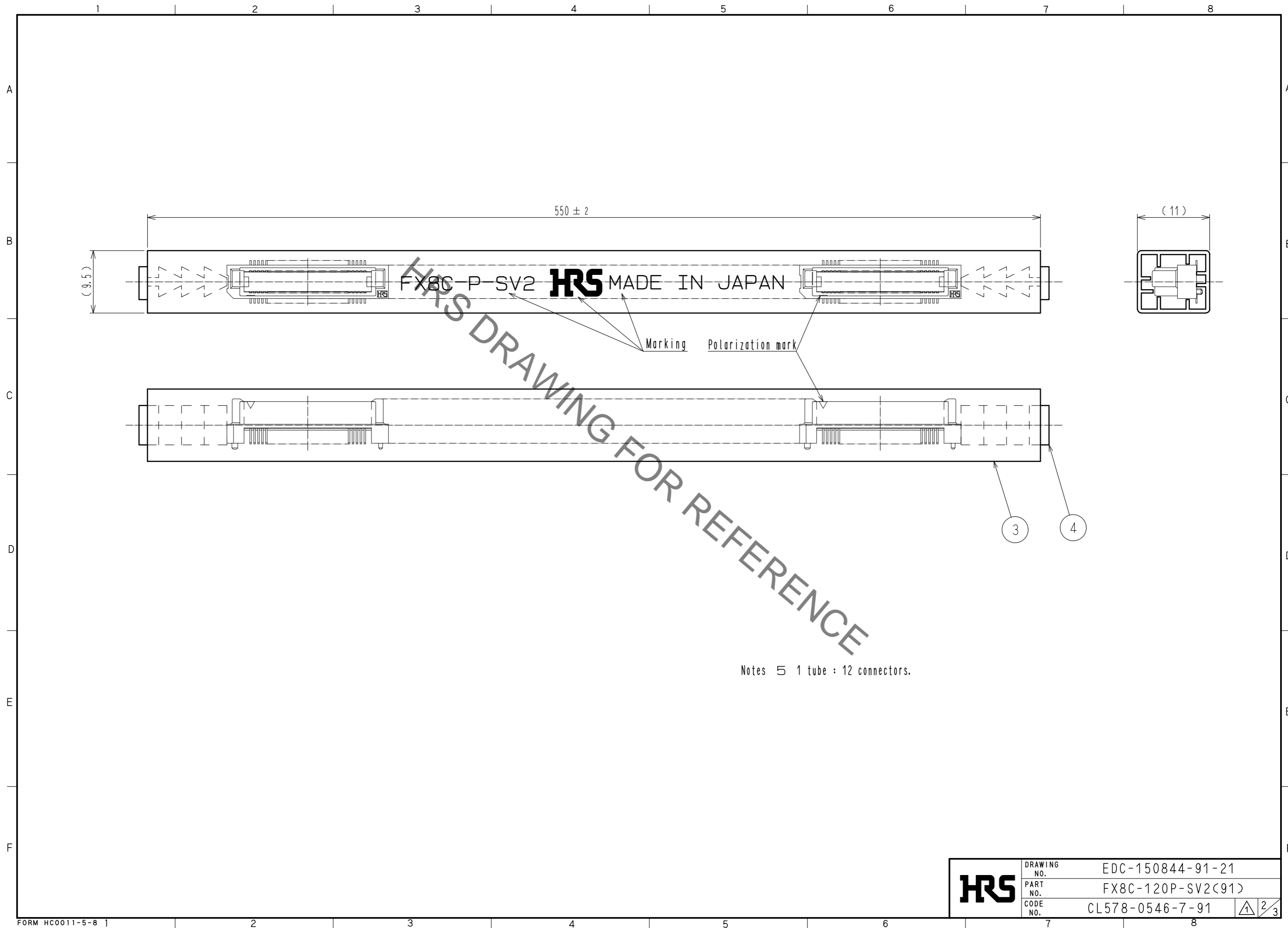
Recommended land pattern dimension of PCB (mounting side) (2:1)



2	PHOSPHOR BRONZE	Contact area : Gold 0.1μm min.						
		Lead area : Tin-plating 1μm min.						
		Under plating : Nickel 1μm min.	4	POLYVINYL CHLORIDE	(Stopper)			
1	PPS	Light brown (UL94V-0)	3	POLYVINYL CHLORIDE	(Tube)			
NO.	MATERIAL	FINISH . REMARKS	NO.	MATERIAL	FINISH . REMARKS			
UNITS	mm	SCALE	COUNT	DESCRIPTION OF REVISIONS		DESIGNED	CHECKED	DATE
		5 : 1	1	DIS-F-00006415		KS. NAKAJIMA	HT. YAMAGUCHI	20200803
HRS HIROSE ELECTRIC CO., LTD.		APPROVED : HS. OKAWA	20051212	DRAWING NO.		EDC-150844-91-21		
		CHECKED : HS. OZAWA	20051212	PART NO.		FX8C-120P-SV2(C91)		
		DESIGNED : KY. NAKAMURA	20051212	CODE NO.		CL578-0546-7-91		
		DRAWN : KY. NAKAMURA	20051212					

Added precaution

May.1.2023 Copyright 2023 HIROSE ELECTRIC CO., LTD. All Rights Reserved.
In case of consideration for using Automotive equipment / device which demand high reliability, kindly contact our sales window correspondents.



Notes 5 1 tube : 12 connectors.

HRS	DRAWING NO.	EDC-150844-91-21
	PART NO.	FX8C-120P-SV2(91)
	CODE NO.	CL578-0546-7-91

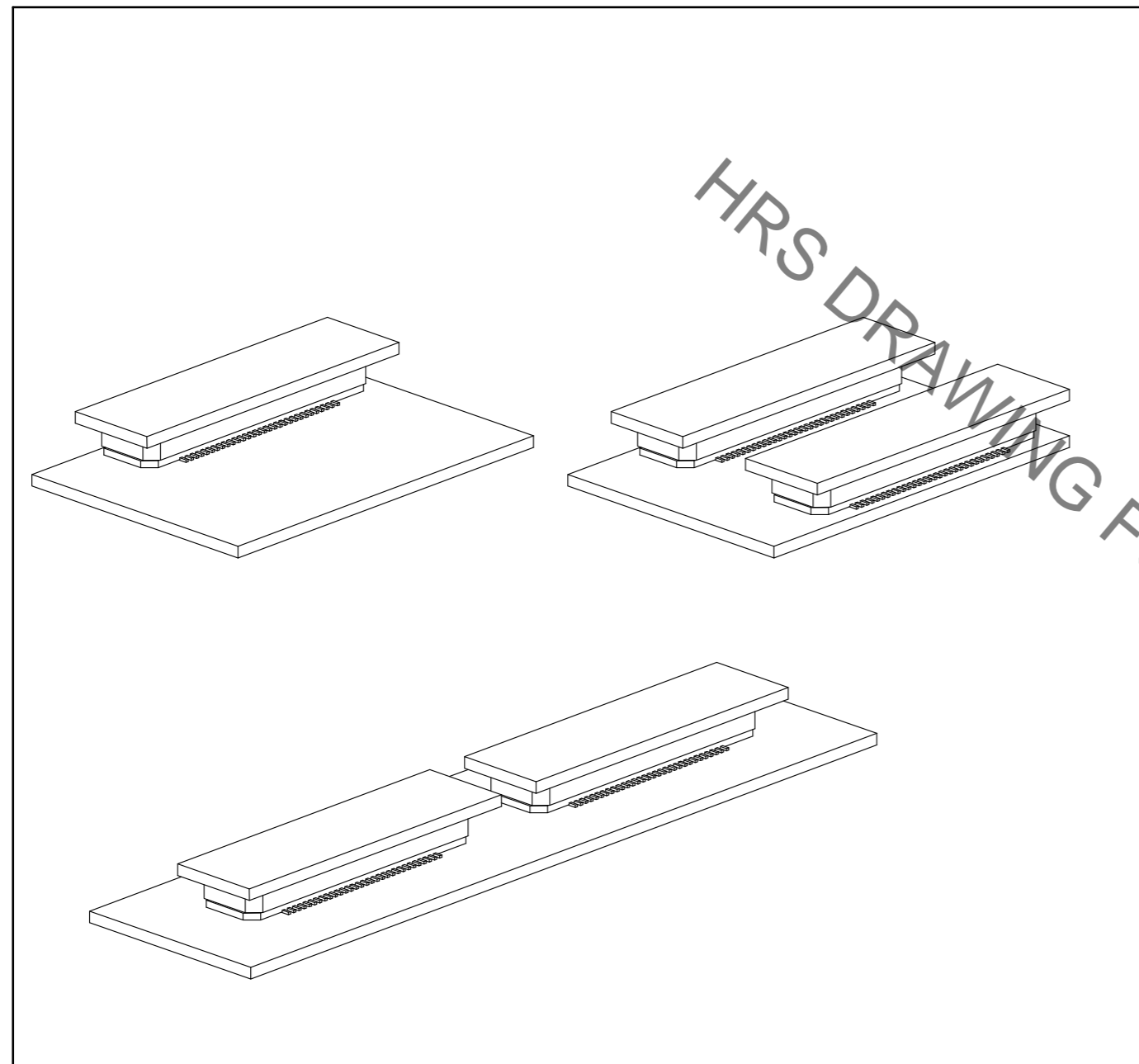
2/3

May.1.2023 Copyright 2023 HIROSE ELECTRIC CO., LTD. All Rights Reserved.
In case of consideration for using Automotive equipment / device which demand high reliability, kindly contact our sales window correspondents.

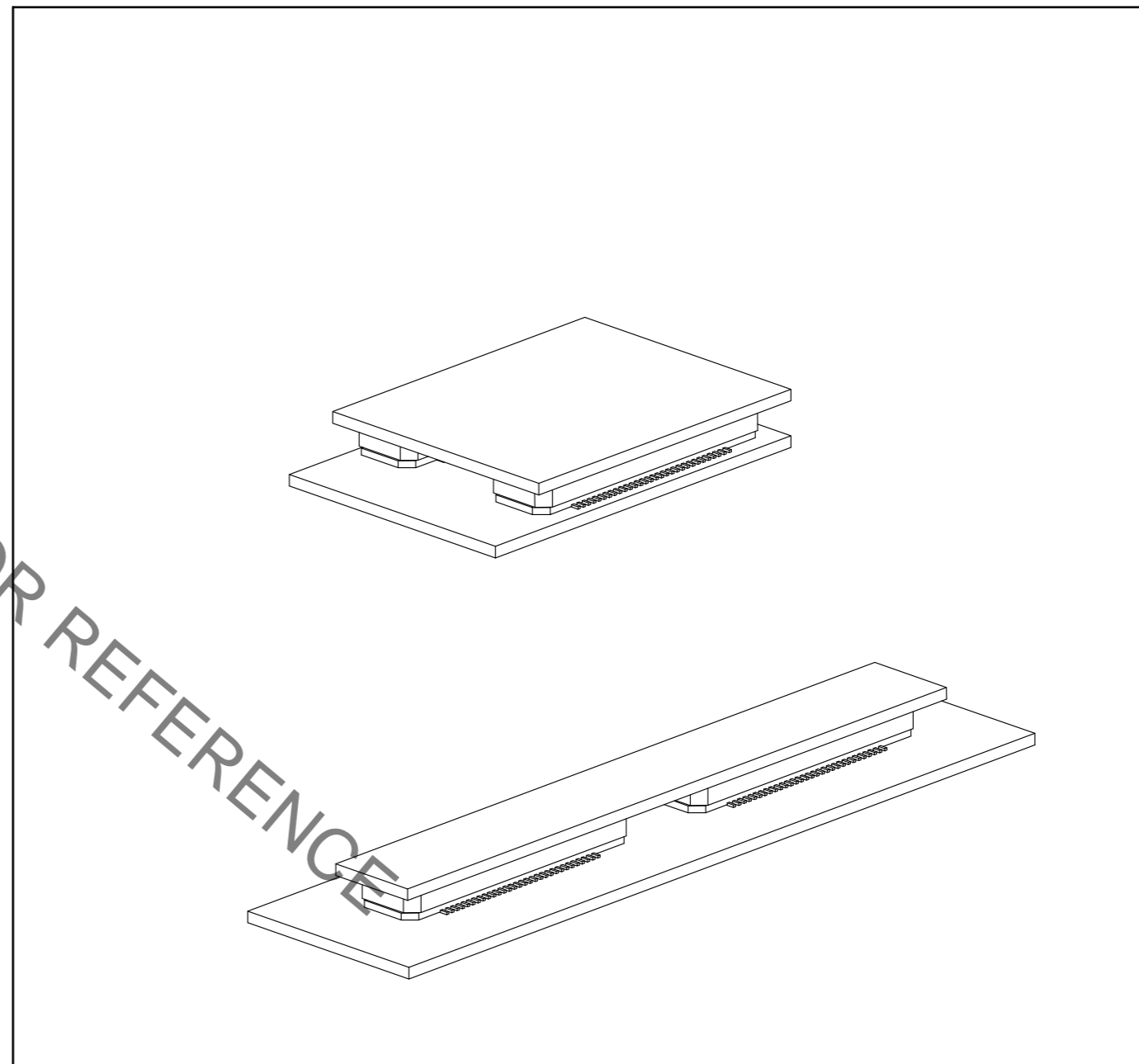
【 Precaution 】

When a board with multiple connectors mounted is mated, the connector may be damaged or deformed.
Please divide one side of the board so only one connector is mated per board.

OK



NG



HRS DRAWING FOR REFERENCE

HRS	DRAWING NO.	EDC-150844-91-21
	PART NO.	FX8C-120P-SV2(91)
	CODE NO.	CL578-0546-7-91
		3/3