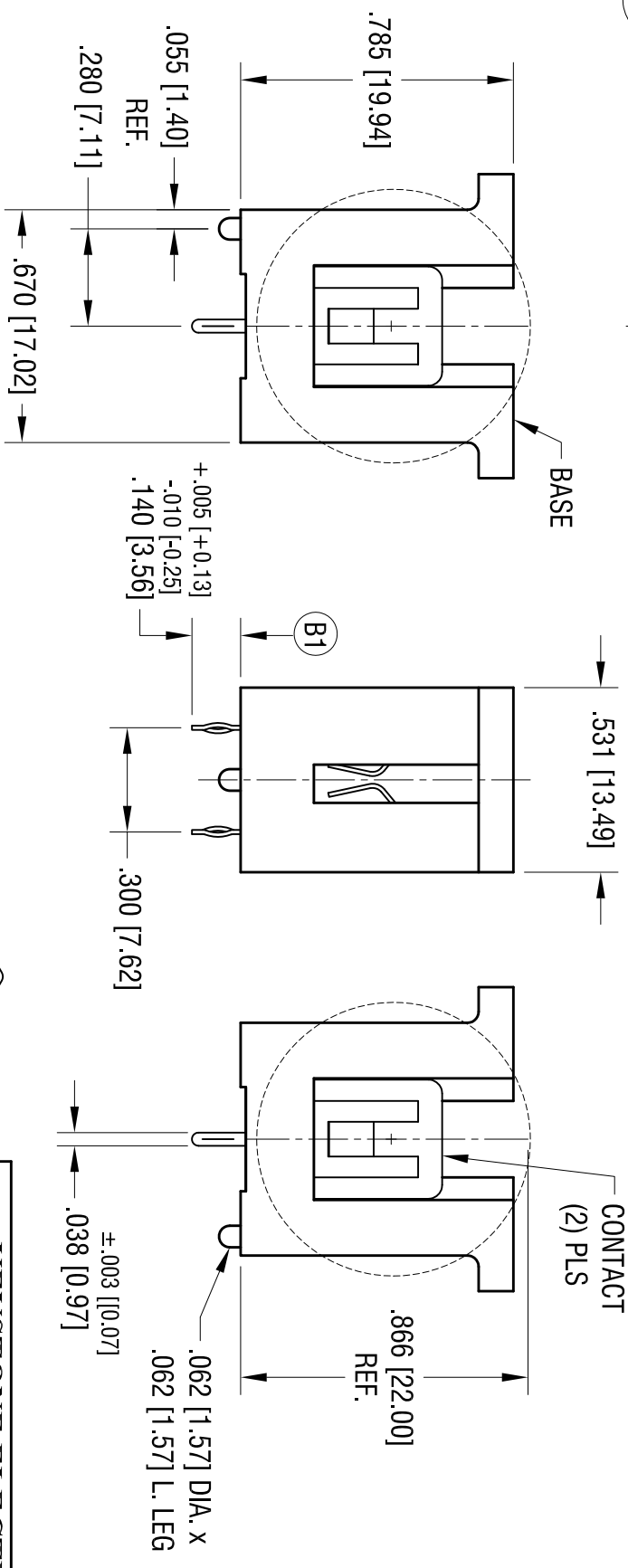
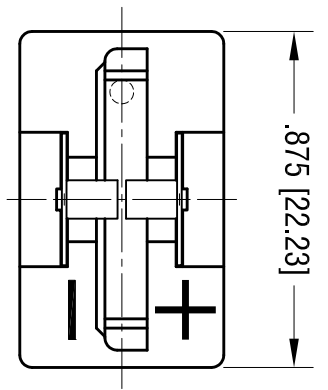
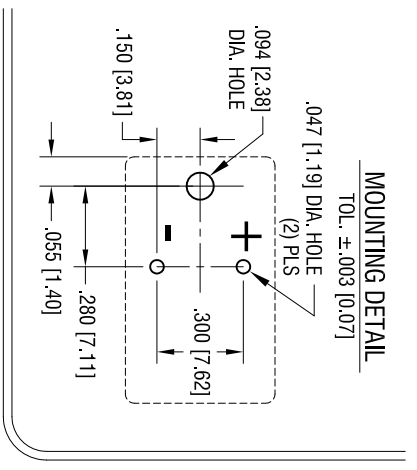
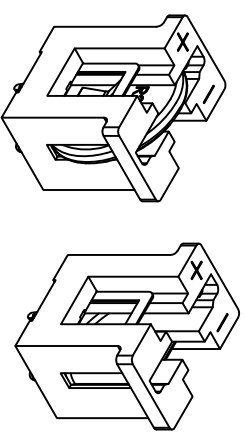


DATE	DESCRIPTION	REV.
6.25.10	CHANGE AS PER ECN 10-047	A
5.01.23	CHANGE AS PER ECN 23-069 B1 WAS .140±.010	B



- NOTE:
1. BASE:
MATEL: PBT, UL 94V-0.
 2. CONTACT:
MATEL: .012 [0.30] THK STAINLESS STEEL.
FINISH: TIN NICKEL PLATE.



KEYSTONE ELECTRONICS CORP.			
www.keystone.com • NEW HYDE PARK, NY 11040 • Tel (516) 328-7500			
PART NAME 20mm VERTICAL COIN CELL HOLDER			
MATERIAL AS NOTED			
FINISH AS NOTED		DRN BY BOONE	DATE 4.02.98
TOLERANCES DECIMAL ± .010 [± 0.25] ANGULAR ± 1°		CODE C	DWG NO. 1067
<small>THIS DOCUMENT IS THE PROPERTY OF KEYSTONE ELECTRONICS CORP. AND SHALL NOT BE REPRODUCED, DISTRIBUTED OR USED AS A BASIS FOR MANUFACTURE WITHOUT PRIOR WRITTEN PERMISSION FROM KEYSTONE ELECTRONICS CORP.</small>			