



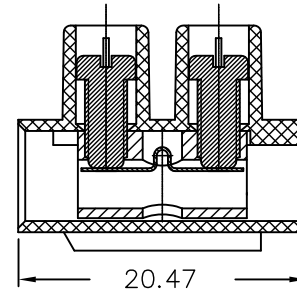
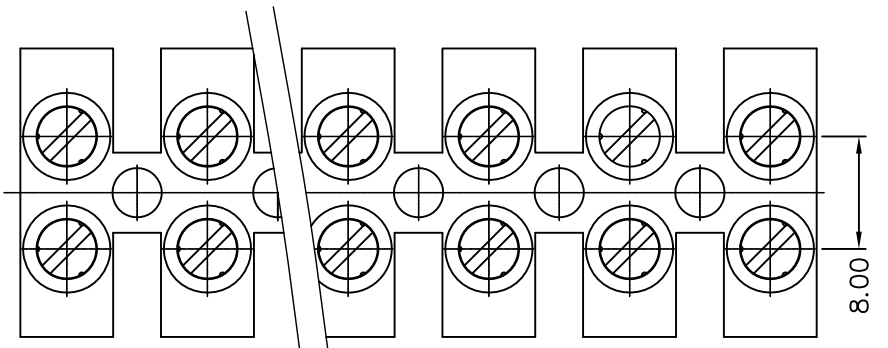
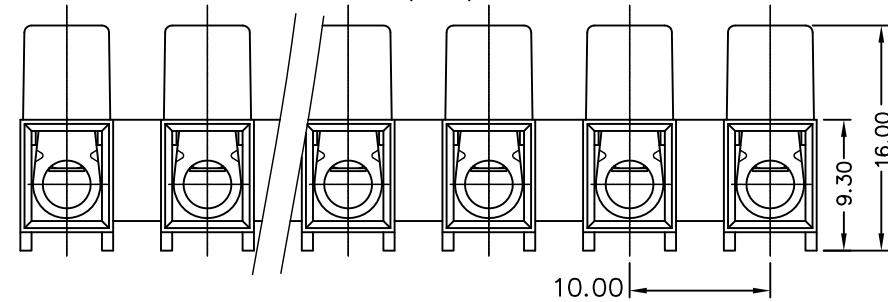
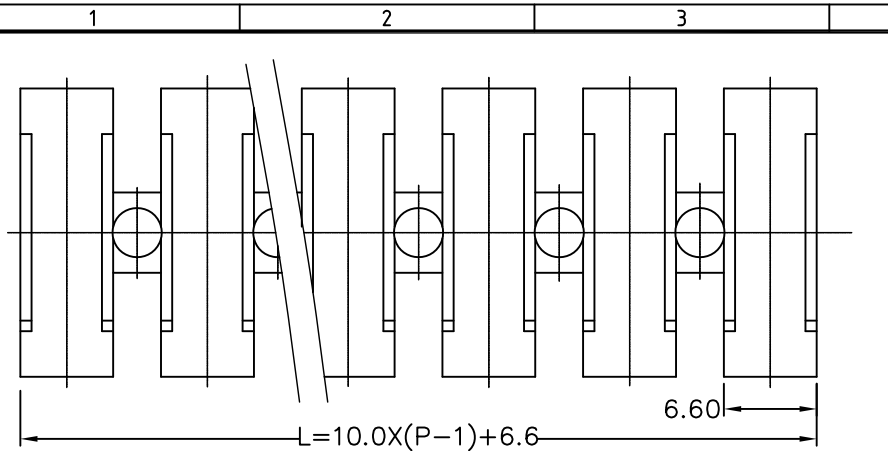
SIGN	DATE	DESCRIPTION	APPROVER
	2019.10.02	Updated current rating and added UL material rating	
<i>THIS IS CAD DRAWING, DO NOT REVISE MANUALLY!!!</i>			

NOTES:

1. Rating: 300V 30A(UL94-V0)
2. Insulation Withstanding Voltage: AC2000V/MIN
3. Insulation Resistance: $\geq 500M\Omega$ or more at DC500V
4. Temperature Range: $-33^{\circ}C/+105^{\circ}C$
5. Screw Torque Value: 4.5 lbf-in(UL)
6. Wire Range: 12-20AWG
8. Housing: Nylon PA66 (UL-94V0)
9. Screw M3, Steel, Zinc Plated
10. Standard Color: Natural
11. Wire Protector Material: Stainless Steel without plating
12. Terminal: Brass with Ni plating

Agency Approvals:  

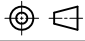
RoHS Compliant



DIM	P	2	3	4	5	6	7	8	9	10	11	12
L		16.6	26.6	36.6	46.6	56.6	66.6	76.6	86.6	96.6	106.6	116.6
TOL (±)		0.08	0.12	0.16	0.20	0.24	0.28	0.32	0.36	0.40	0.44	0.48

THESE DRAWINGS AND SPECIFICATIONS ARE THE PROPERTY OF ON-SHORE TECHNOLOGY, INC. AND SHALL NOT BE REPRODUCED, COPIED OR USED IN ANY MANNER WITHOUT THE PRIOR WRITTEN CONSENT OF ON-SHORE TECHNOLOGY, INC.

OST ON-SHORE TECHNOLOGY, INC.

TITLE		ES1000 Series - 10.0mm Euro Strip, Wire guard, flat base			
PART NO.	ES1000/XXDSFB(XX - number of poles per row)	DWG NO.	ES1000/XXDSFB.DWG		
APPROVED	CHECKED	DESIGNED	DRAWN	5020	
KSZ 2007.08.01	KSZ 2007.08.01	KSZ 2007.08.01	KSZ 2007.08.01	Tolerance	
					UNIT: mm
					SCALE: NONE
				SHEET: 01/01	.X ±0.15 .XX ±0.075 .XXX ±0.05
				REV.: A	