

Data Sheet iSYS-5005

Version 1.7—17.12.2021

PRODUCT FAMILY

24GHz Movement Detection System

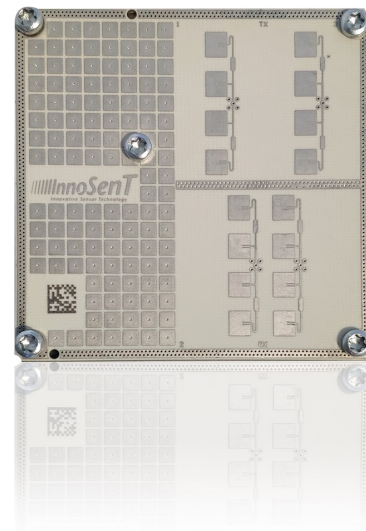
APPLICATIONS

- Security Applications
- Industrial Applications

- Movement
- Velocity
- Direction
- Presence
- Distance
- Angle

FEATURES:

- 3D MIMO radar operating in the 24GHz band
- Tracking of moving objects in a distance of typically 20 m
- For security and industrial applications
- Individual configuration of ignore and alarm zones
- Multi-target capability
- Includes digital signal processing to output a target or object list via UART
- Compact design 50 x 50 x 13mm
- Reference design for radome available



DESCRIPTION

The iSYS-5005 with intelligent μ C preprocessing unit can detect and track moving objects.

The sensor detects objects in a speed range from 0.4 to 27.5 km/h. Individual programming and adjustment is easily done via the included GUI which is also available at www.innosent.de.

CERTIFICATES

InnoSenT GmbH has established and applies a quality system for: development, production and sales of radar sensors for industrial and automotive sensors. More information on our quality standards:

<https://www.innosent.de/en/company/certifications/>

ADDITIONAL INFORMATION

InnoSenT Standard Product. Changes will not be notified as long as there is no influence on form, fit and within this data sheet specified function of the product.

CONFIDENTIAL AND PROPRIETARY

The information contained in this document shall remain the sole and exclusive property of InnoSenT GmbH and shall not be disclosed by the recipient to third parties without prior consent of InnoSenT in writing.

PARAMETERS

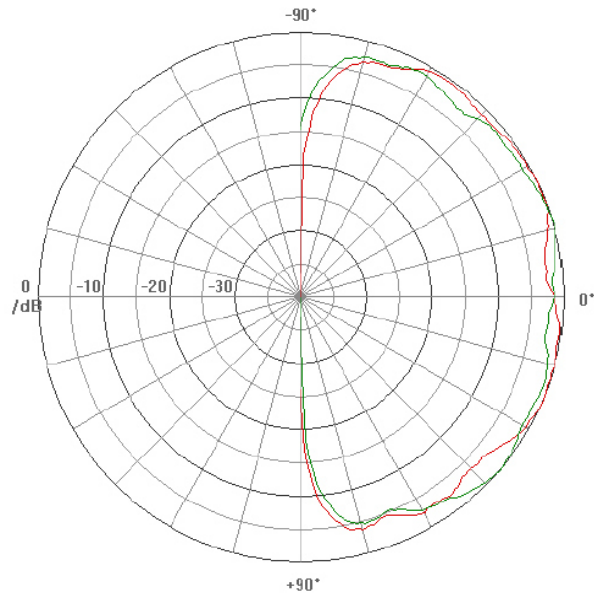
The iSYS-5005 consists of a 24 GHz Radar Front End (RFE) with a DSP Board for measurement of distance, velocity and angle of arrival. The output of the sensor is an object list (tracked data) or a target list (preprocessed radar data).

PARAMETER	CONDITIONS	SYMBOL	MIN	TYP	MAX	UNITS
Radar						
transmit frequencies		f_t	24.050		24.250	GHz
output power (EIRP)		P_{out}			12.7	dBm
Sensor						
detection range	depending on RCS of target	d_r	0.9	20		m
standard detection field	compare with plots on page 3	horizontal		± 75		$^\circ$
		vertical		± 30		$^\circ$
velocity range			0.4		27.5	km/h
range resolution	two targets in same direction	d_{res}		1.8		m
angular resolution	two targets in equal distance			36		$^\circ$
update rate				75		msec
Power supply						
supply voltage		V_{CC}	3.8		5.5	V
supply current	$V_{CC} = 4.0\text{ V}$	I_{CC}		330		mA
Environment						
operating temperature		T_{OP}	-40		+85	$^\circ\text{C}$
storage temperature		T_{STG}	-40		+85	$^\circ\text{C}$
Mechanical Outlines						
outline dimensions	compare to schematic on page 5	height length width		50.0 50.0 13.2		mm

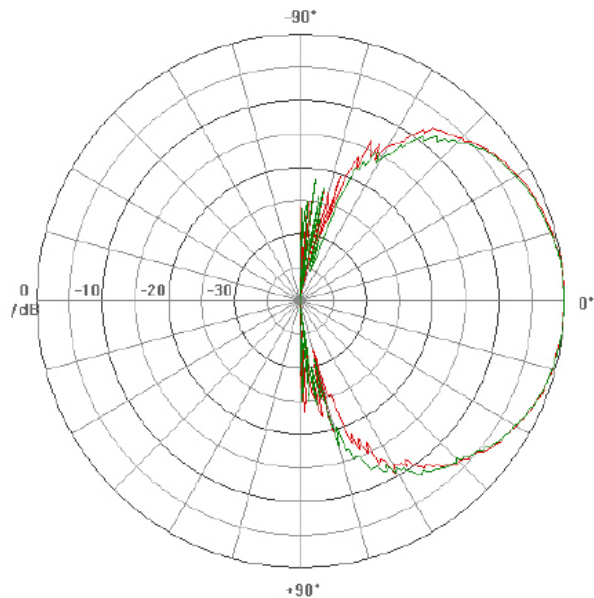
CONFIDENTIAL AND PROPRIETARY

The information contained in this document shall remain the sole and exclusive property of InnoSenT GmbH and shall not be disclosed by the recipient to third parties without prior consent of InnoSenT in writing.

ANTENNA PATTERN



	Red graph azimuth angle	Green graph azimuth angle
TX antenna pattern	TX 1_Azimuth	TX 2_Azimuth
3 dB—Width [°]	135	137
10 dB—Width [°]	169	170



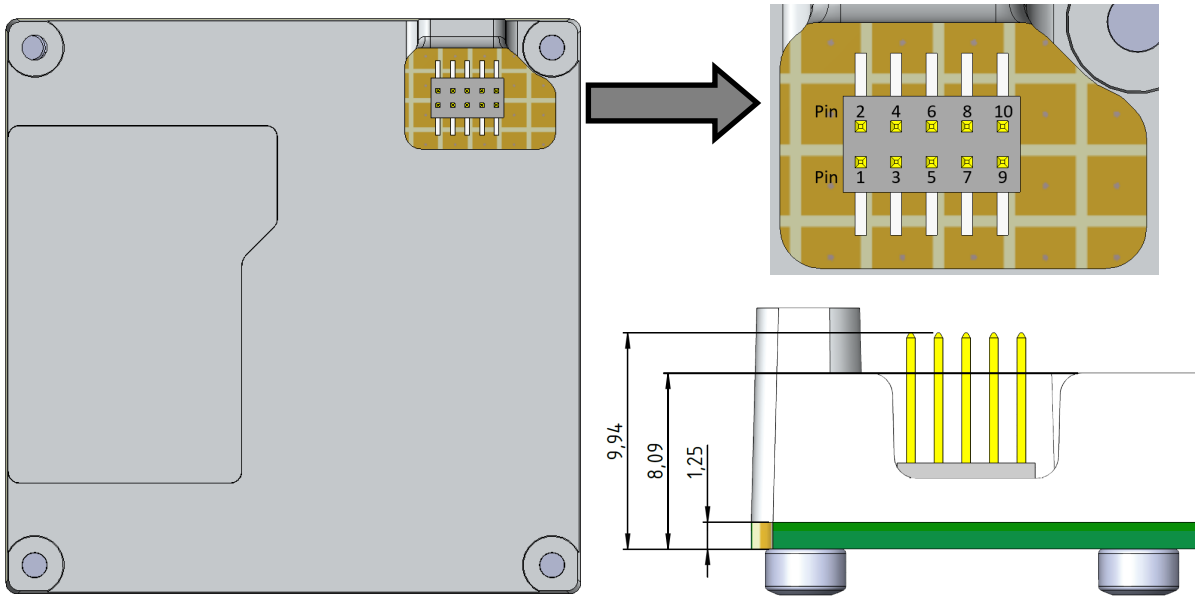
	Red graph elevation angle	Green graph elevation angle
TX antenna pattern	TX 1_Elevation	TX 2_Elevation
3 dB—Width [°]	67	66
10 dB—Width [°]	110	111

CONFIDENTIAL AND PROPRIETARY

The information contained in this document shall remain the sole and exclusive property of InnoSenT GmbH and shall not be disclosed by the recipient to third parties without prior consent of InnoSenT in writing.

INTERFACE

The iSYS-5005 provides a 5x2, 1.27mm pitch Pin header. The connector (W+P 46-7072-010-20-00-00) is mounted on the module facing backwards. InnoSenT uses a gold plated connector. A compatible female pin header is W+P 46-6060-010-46-XX-XX-XX.



PIN #	DESCRIPTION	COMMENT
1	UART_TX	UART -> command interface (module side view)
2	V _{CC}	3.3 V—5.5 V supply voltage
3	UART_RX	UART -> command interface (module side view)
4	GND	
5	DNC	Do not connect
6	DNC	Do not connect
7	DNC	Do not connect
8	DNC	Do not connect
9	DNC	Do not connect
10	DNC	Do not connect

COMMUNICATION

The sensor uses a UART protocol with a bitrate of 1MBaud.

It can easily be configured with the supplied Object Viewer software or the iSYS5005_radarAPI.dll.

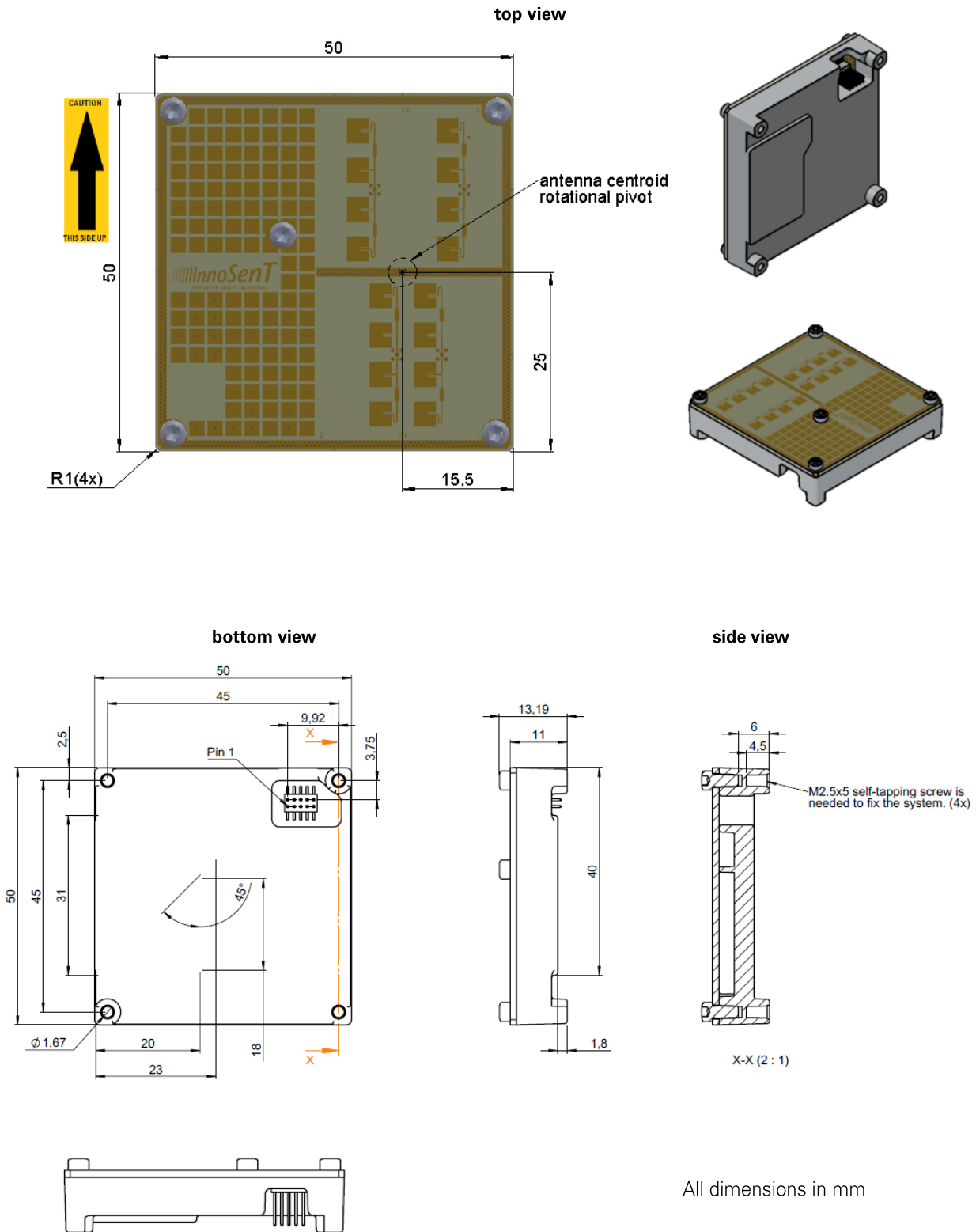
The dll is pre-compiled for different compilers and comes with an example project for easy integration.

The sensor's available commands can be found in the accompanying iSYS-5005_RadarAPI_readMe.pdf.

CONFIDENTIAL AND PROPRIETARY

The information contained in this document shall remain the sole and exclusive property of InnoSenT GmbH and shall not be disclosed by the recipient to third parties without prior consent of InnoSenT in writing.

MECHANICAL DRAWING



CONFIDENTIAL AND PROPRIETARY

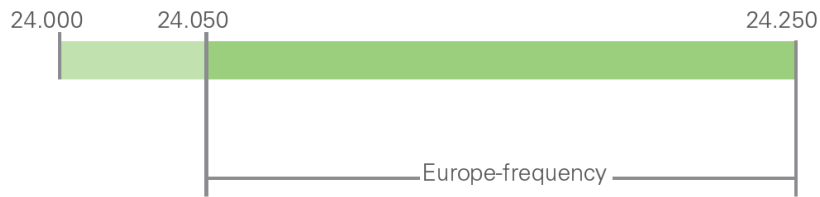
The information contained in this document shall remain the sole and exclusive property of InnoSenT GmbH and shall not be disclosed by the recipient to third parties without prior consent of InnoSenT in writing.

Annex A

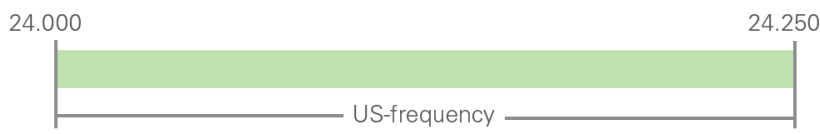
The information that will be given below is only a rough overview; for details please contact the local approval agencies. An overview over the frequency bands in Europa can also be found in the REC 70-03 (Annex B) which is available under www.cept.org

Frequency Bands in Europe

Generally the iSYS-5005 standard version can be used in all countries in Europe.



Frequency Bands in US FCC 15.249



CONFIDENTIAL AND PROPRIETARY

The information contained in this document shall remain the sole and exclusive property of InnoSenT GmbH and shall not be disclosed by the recipient to third parties without prior consent of InnoSenT in writing.

ESD-INFORMATION



This InnoSenT sensor is sensitive to damage from ESD. Normal precautions as usually applied to CMOS devices are sufficient when handling the device. Touching the signal output pins has to be avoided at any time before soldering or plugging the device into a motherboard.

APPROVAL

This Data Sheet contains the technical specifications of the described product. Changes of the specification must be in written form. All previous versions of this Data Sheet are no longer valid.

VERSION	DATE	COMMENT
1.0	11.03.2020	initial release
1.1	08.05.2020	added communication
1.2	24.06.2020	modes renamed
1.3	20.10.2020	Spec updated according to newest FW
1.4	12.05.2021	updated velocity range
1.5	09.06.2021	updated supply voltage
1.6	07.09.2021	corrected velocity range
1.7	17.12.2021	updated detection range vom max. $\geq 15\text{m}$ to typ. 20m

InnoSenT GmbH

Am Roedertor 30

97499 Donnersdorf

GERMANY

Tel.: +49 (0) 9528—9518—0

E-Mail: info@innosent.de

URL: www.innosent.de

CONFIDENTIAL AND PROPRIETARY

The information contained in this document shall remain the sole and exclusive property of InnoSenT GmbH and shall not be disclosed by the recipient to third parties without prior consent of InnoSenT in writing.