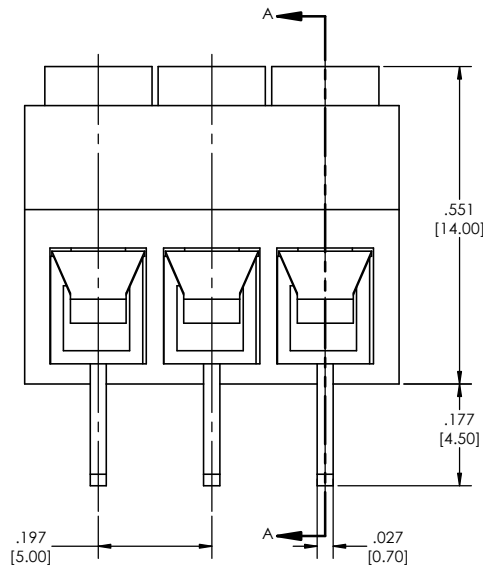
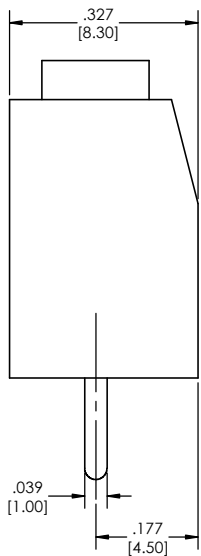
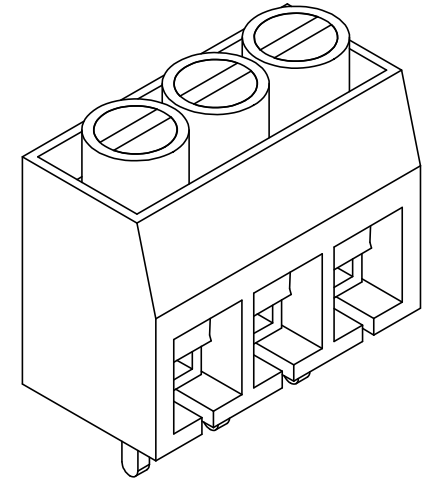
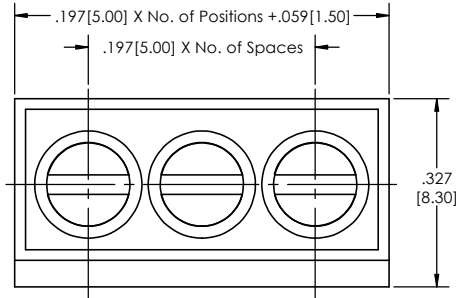
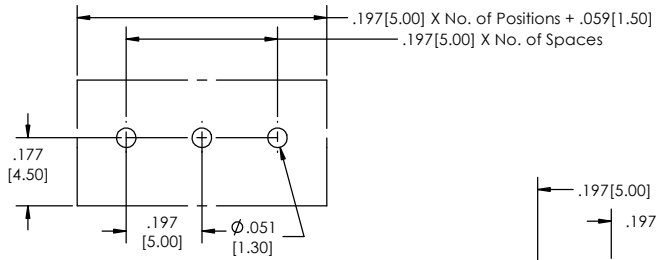
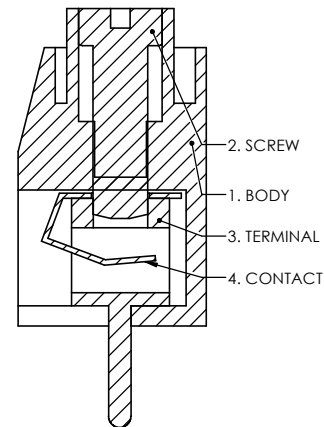


Recommended P.C. Board Layout
SCALE 4:1



SECTION A-A



TBW - 08 - **197** - **XX** - **XX** - **LF**
(A) (B) (C) (D)

- A. Pitch
- 197= .197(5.00) cl
- B. No. of Positions
- 02-24
- C. Color
- GR= Green (Standard)
- BK= Black
- BL= Blue
- WH= White
- GY= Grey
- OR= Orange
- YW= Yellow
- RD= Red
- BR= Brown
- D. Lead Free
- Specifications:
Current Rating: 10 Ampere
Voltage Rating: AC 250V
Wire Range: 12-18 AWG
Insulation Resistance: DC 500V 500M ohms
Dielectric Withstanding Voltage: AC 2500V/1 minute
Operation Temperature: -33°C to +105°C
Max Torque: 3.47 lb-in (4.0kgf. cm)
Strip Length: .197-.236 (5-6mm)

- Materials:
1. Body: PA66 (Nylon), UL94 V-0
2. Screw: M2.5, C1018 Steel, Zinc Plated
3. Terminal: H62 Brass, Tin Plated
4. Contact: SUS301 Stainless Steel

Tails may be clipped to achieve specific dimensions.
Products cut to specific sizes are uncancellable/ nonreturnable.
Parts are subject to change without notice.



PROPRIETARY AND CONFIDENTIAL
THE INFORMATION CONTAINED IN THIS DRAWING IS THE SOLE PROPERTY OF Major League Electronics. ANY REPRODUCTION IN PART OR AS A WHOLE WITHOUT THE WRITTEN PERMISSION OF Major League Electronics IS PROHIBITED.

| | | | | | |
|-----------------------------|--|---------------|--|---|--|
| UNLESS OTHERWISE SPECIFIED: | | NAME | | DATE | |
| DIMENSIONS ARE IN INCHES | | DRAWN | | EOW | |
| TOLERANCES: | | CHECKED | | GWE | |
| ONE DECIMALS ±.100 | | ENG APPR. | | MFG APPR. | |
| TWO DECIMAL ±.100 | | MATERIAL | | INTERPRET GEOMETRIC TOLERANCING PER: | |
| THREE DECIMAL ±.002 | | FINISH | | ADDRESS: | |
| FOUR DECIMAL ±.002 | | APPLICATION | | DO NOT SCALE DRAWING | |
| NEXT ASSY | | USED ON | | 2533 Centennial Blvd. Jeffersonville, In 47130 Phone: 812-670-4174 Fax: 812-670-4175 E-Mail: mle@mllectronics.com | |
| TITLE: TBW-08-197 Series | | SIZE DWG. NO. | | REV | |
| SCALE 6:1 | | C | | A | |
| SHEET 1 OF 1 | | | | | |

