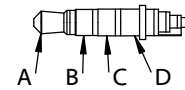
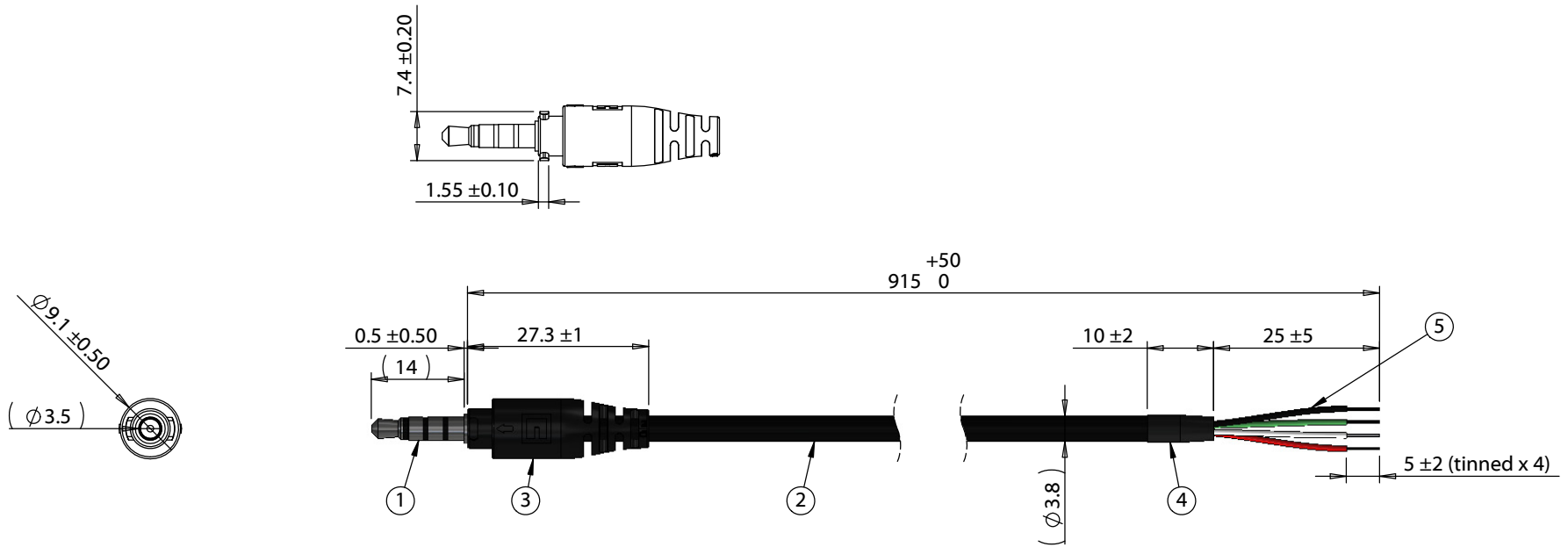


ITEM NO.	PART NUMBER	DESCRIPTION	QTY.	COMPONENT NOTES
1	50-00397	Connector, 4C audio plug, 3.5xL20.7 mm, brass, nickel plated, molding style	1	
2	30-00179	Wire, 3C BC, 28 AWG, 300V, 80C, 3.8 mm, foil + shield, PVC	1	
3	24-00265	Overmold, audio plug, 3.5 mm, twist lock, TIC	1	PVC, black
4	Heat Shrink	Heat shrink tubing, black	1	
5	Heat shrink	Heat shrink tubing, black	1	Covers shield wire



Wiring Diagram	
50-00397	wire color
A	red
B	white
C	green
D	shield/black

**Notes:**  
 Made to mate with cable assembly: 10-03402 and 10-03409  
 Functionally equivalent components may be substituted

Revision:	Date:	Description:	Prepared:	Notes: RoHS compliant Function test: no open, no short circuit, no intermittent
A	9/24/2019	Initial release	Verified:	
			Dimensions are in millimeters. Tolerances: X: ± 0.5 mm X.X: ± 0.3 mm X.XX: ± 0.05 mm	Description: Cable, 915 mm, 3.5 mm 4C 50-00397 twist lock audio plug to 5 mm tinned, 28 AWG, 30-00179

# TENSILITY

tel 1.541.323.3228 800 877.670.7118  
 fax 1.541.323.4202 web tensility.com

Size:	Part number:
A	10-03401
Scale: 1:1	Sheet 1 of 1