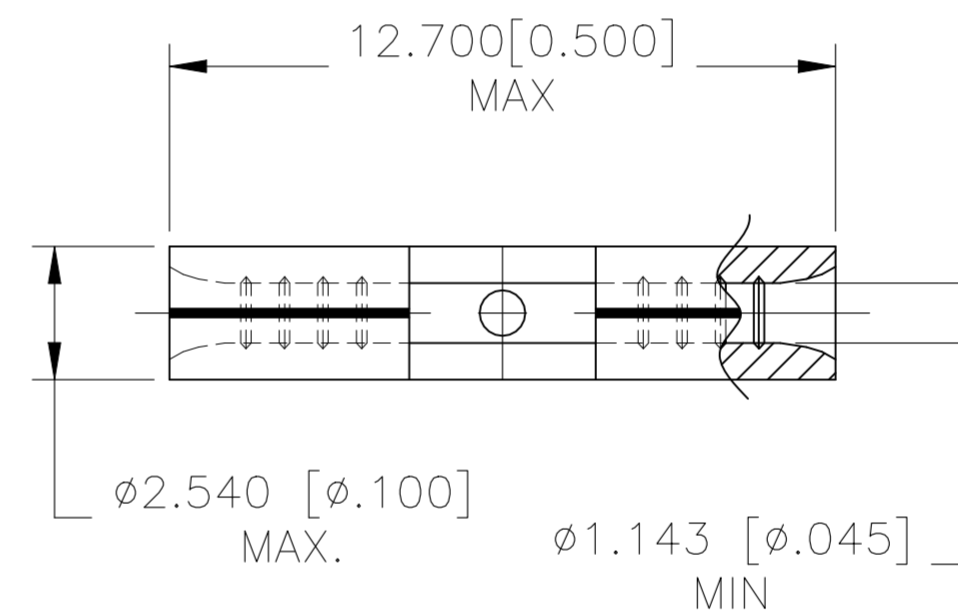
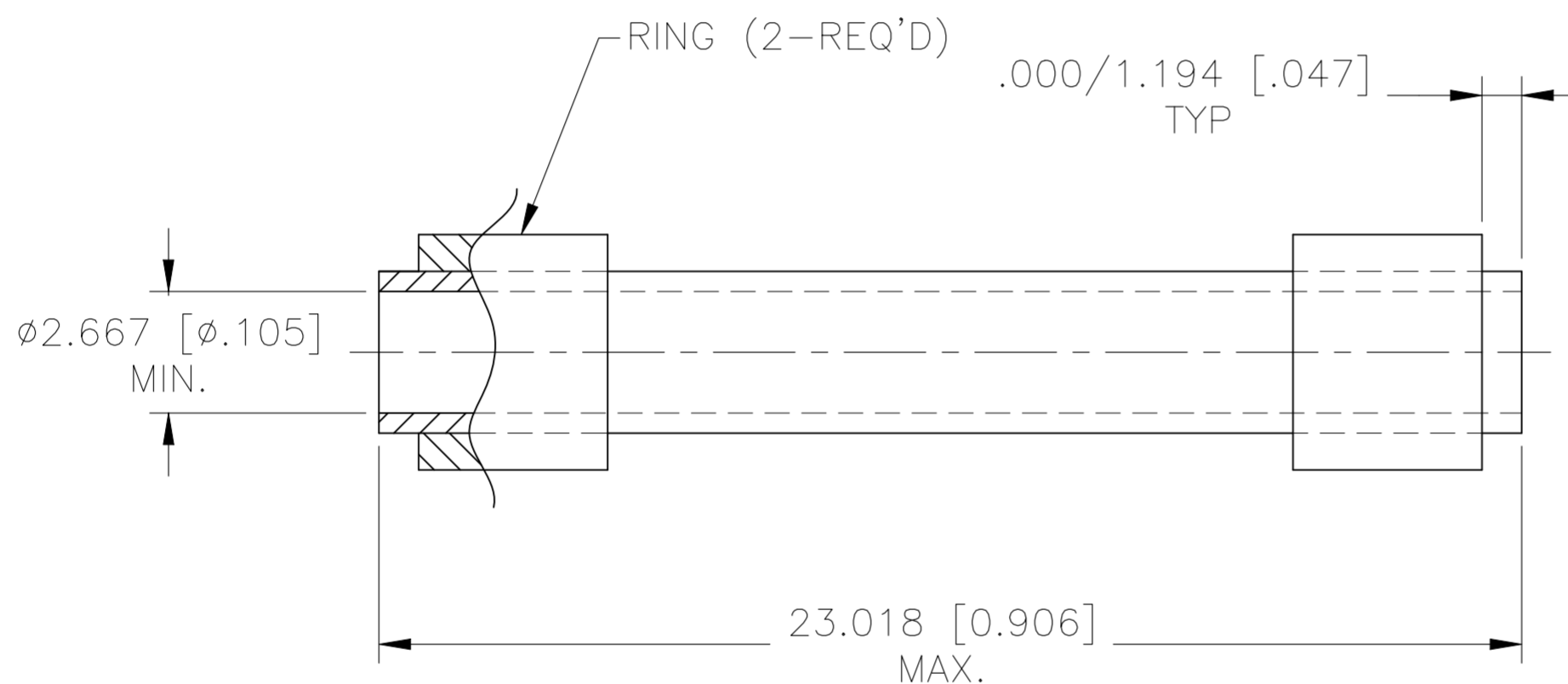
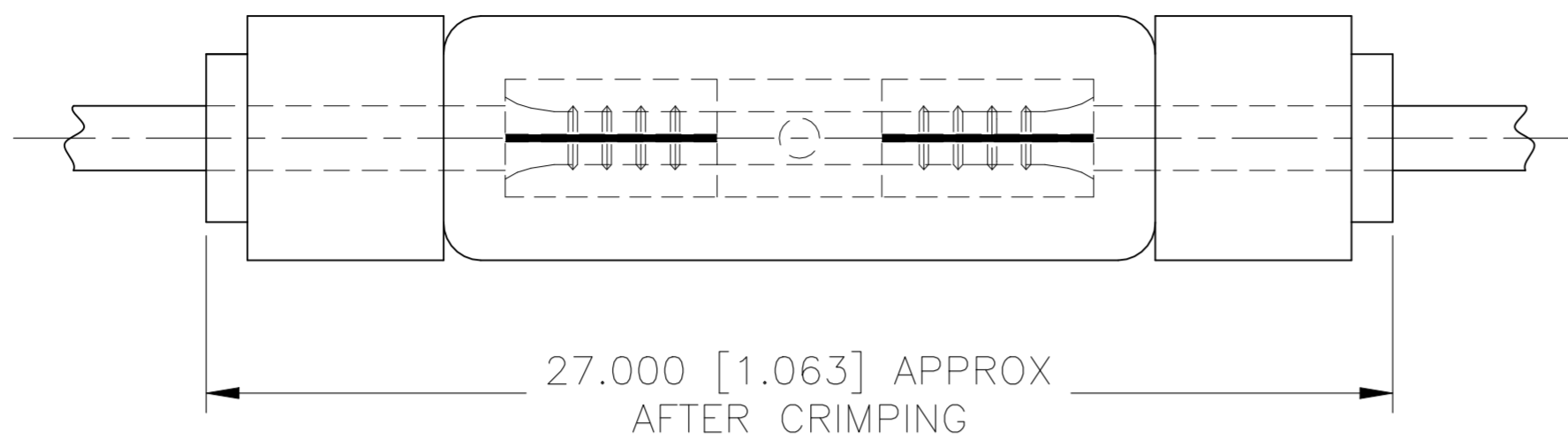


REVISIONS					
P	LTR	DESCRIPTION	DATE	DWN	APVD
B2		ECR-22-138429	20MAY2022	LP	DSC



SLEEVE ASSEMBLY

WIRE CONNECTOR

1000	LOOSE PIECE	326835
QTY	PACKAGE TYPE	PART NUMBER

FOR 2.032[.080] TO 2.540[.100] WIRE INSULATION DIA.

1	SLEEVE ASS'Y	INSULATION: MATERIAL: PTFE PER ASTM D4895, FINISH COLOR: NATURAL RING: MATERIAL: COPPER PER ASTM B152 FINISH: NICKEL PLATE 0.00508[.00020] - 0.01016[.00040] MIN EXT THK PER SAE-AMS-QQ-N-290
1	WIRE CONNECTOR 326745	MATERIAL: COPPER PER ASTM B152, ANNEALED FINISH: SILVER PLATE 0.0127[.0005] MIN EXT THK PER ASTM B700
QTY	DESCRIPTION	MATERIAL & FINISH

THIS DRAWING IS A CONTROLLED DOCUMENT.		DWN LINGANATHAN P. 22APR2022	TE Connectivity	
DIMENSIONS: mm [INCHES]		CHK SUVARNA, CHETHAN D 22APR2022	NAME SUVARNA, CHETHAN D	
TOLERANCES UNLESS OTHERWISE SPECIFIED:		APVD SUVARNA, CHETHAN D 22APR2022	PRODUCT SPEC	
0 PLC ± - 1 PLC ± - 2 PLC ± - 3 PLC ± 0.127[.005] 4 PLC ± - ANGLES ± -		APPLICATION SPEC 114-2162	WIRE SPLICE KIT, BUTT, POST INSULATED STRATO-THERM, WIRE SIZE: 22-20 AWG	
MATERIAL SEE TABLE		FINISH SEE TABLE	WEIGHT -	RESTRICTED TO -
		SCALE A2	CAGE CODE 00779	DRAWING NO C-326835
		CUSTOMER DRAWING		SCALE NTS
		SHEET 1 OF 1		REV B2