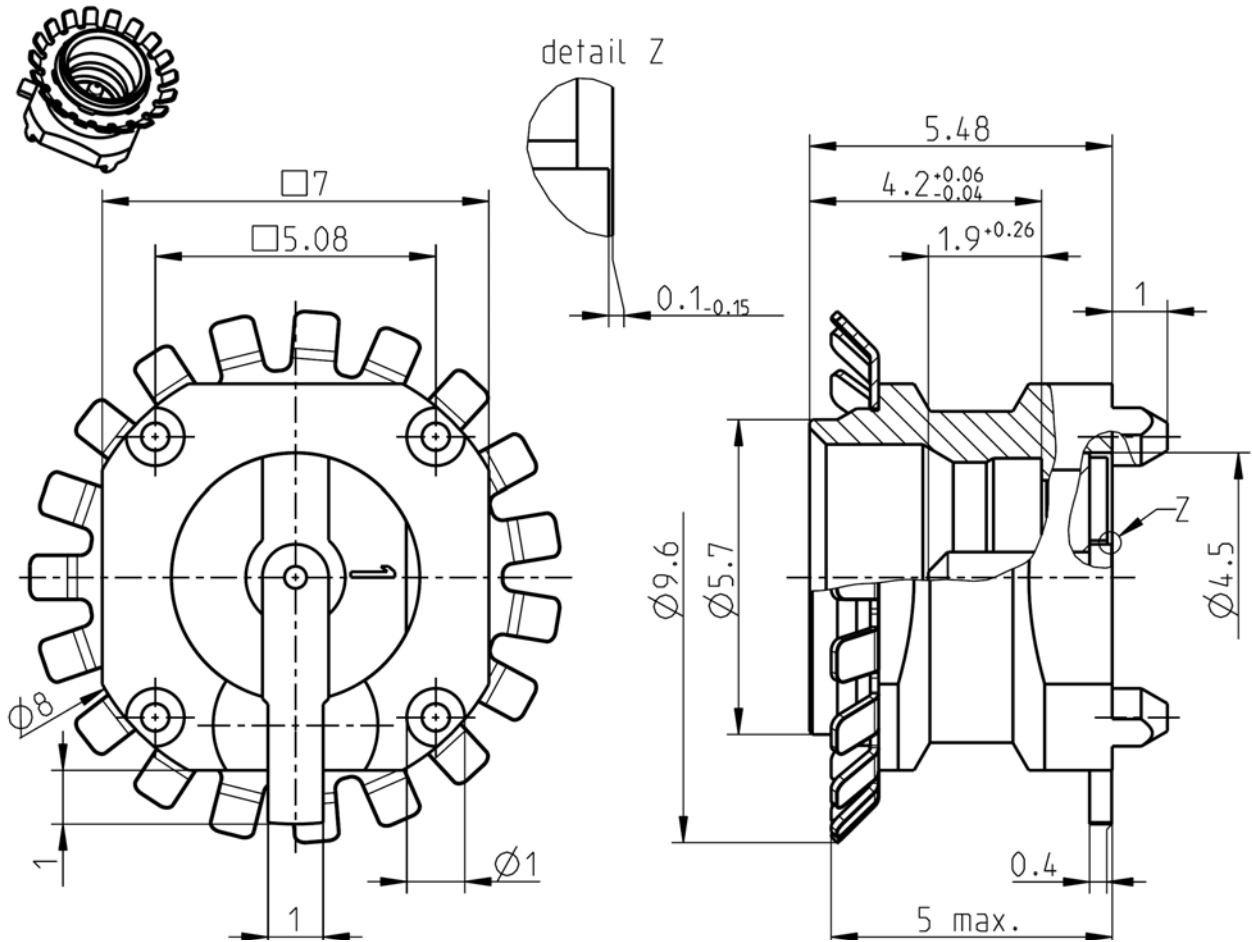


# TECHNICAL DATA SHEET

# Rosenberger

P-SMP STRAIGHT PLUG FOR PCB, LIMITED DETENT

## 119S10B-40ML5



All dimensions are in mm; tolerances acc. to ISO 2768 m-H

### Interface

According to

Rosenberger P-SMP

### Documents

Panel piercing

B 120c

### Material and plating

#### Connector parts

Center contact  
Outer contact  
Spring washer  
Dielectric

#### Material

Brass  
Brass  
Stainless steel  
PEEK

#### Plating

AuroDur®, gold plated  
AuroDur®, gold plated

Dieses Dokument ist urheberrechtlich geschützt • This document is protected by copyright • Rosenberger Hochfrequenztechnik GmbH & Co. KG

RF\_35/06.07/5.0

**TECHNICAL DATA SHEET****Rosenberger****P-SMP STRAIGHT PLUG FOR  
PCB, LIMITED DETENT****119S10B-40ML5****Electrical data**

Impedance	50 Ω
Frequency	DC to 10 GHz
Return loss	≥ 30 dB, DC to 4 GHz ≥ 25 dB, 4 to 6 GHz
Insertion loss	≤ 0.03 x √f(GHz) dB
Insulation resistance	≥ 5 GΩ
Center contact resistance	≤ 3.0 mΩ
Outer contact resistance	≤ 2.0 mΩ
Test voltage (at sea level)	1000 V rms
Working voltage (at sea level)	480 V rms
Power handling (at 20 °C, sea level, VSWR 1.0)	≤ 200 W @ 2.2 GHz
Intermodulation (3 <sup>rd</sup> order)	≥ 160 dBc (2 x 43 dBm)

- Connector only, VSWR in application depends decisive on PCB layout

**Mechanical data**

Mating cycles	≥ 100
Center contact captivation	≥ 7 N
Engagement force	45 N max.
Disengagement force	15 N min.
Allowable compression of EMI-ring	max. 0.4mm

**Environmental data**

Temperature range	-65°C to +165°C
Rapid change of temperature	IEC 60169-1, Sub-clause 16.4 (-65°C to +165°C)
Vibration	IEC 60068-2-64 random
Shock	IEC 60068-2-27 (half-sine)
High temperature endurance	IEC 60169-1, Sub-clause 18 (+165°C, 1000 hours)
Max. soldering temperature	IEC 61760-1, +260°C for 10 sec.
2002/95/EC (RoHS)	compliant

**Tooling**

N/A

**Suitable cables**

N/A

**Weight**

Weight 1.06 g/pce

While the information has been carefully compiled to the best of our knowledge, nothing is intended as representation or warranty on our part and no statement herein shall be construed as recommendation to infringe existing patents. In the effort to improve our products, we reserve the right to make changes judged to be necessary.

Draft	Date	Approved	Date	Rev.	Engineering change number	Name	Date
Huppenberger	13/05/14	B_Huppenberger	15.09.14	a00	14-s316	C_Vitzthum	15.09.14

Rosenberger Hochfrequenztechnik GmbH & Co. KG  
P.O.Box 1260 D-84526 Tittmoning Germany  
[www.rosenberger.de](http://www.rosenberger.de)

Tel.: +49 8684 18-0

email: [info@rosenberger.de](mailto:info@rosenberger.de)

Page

2 / 2