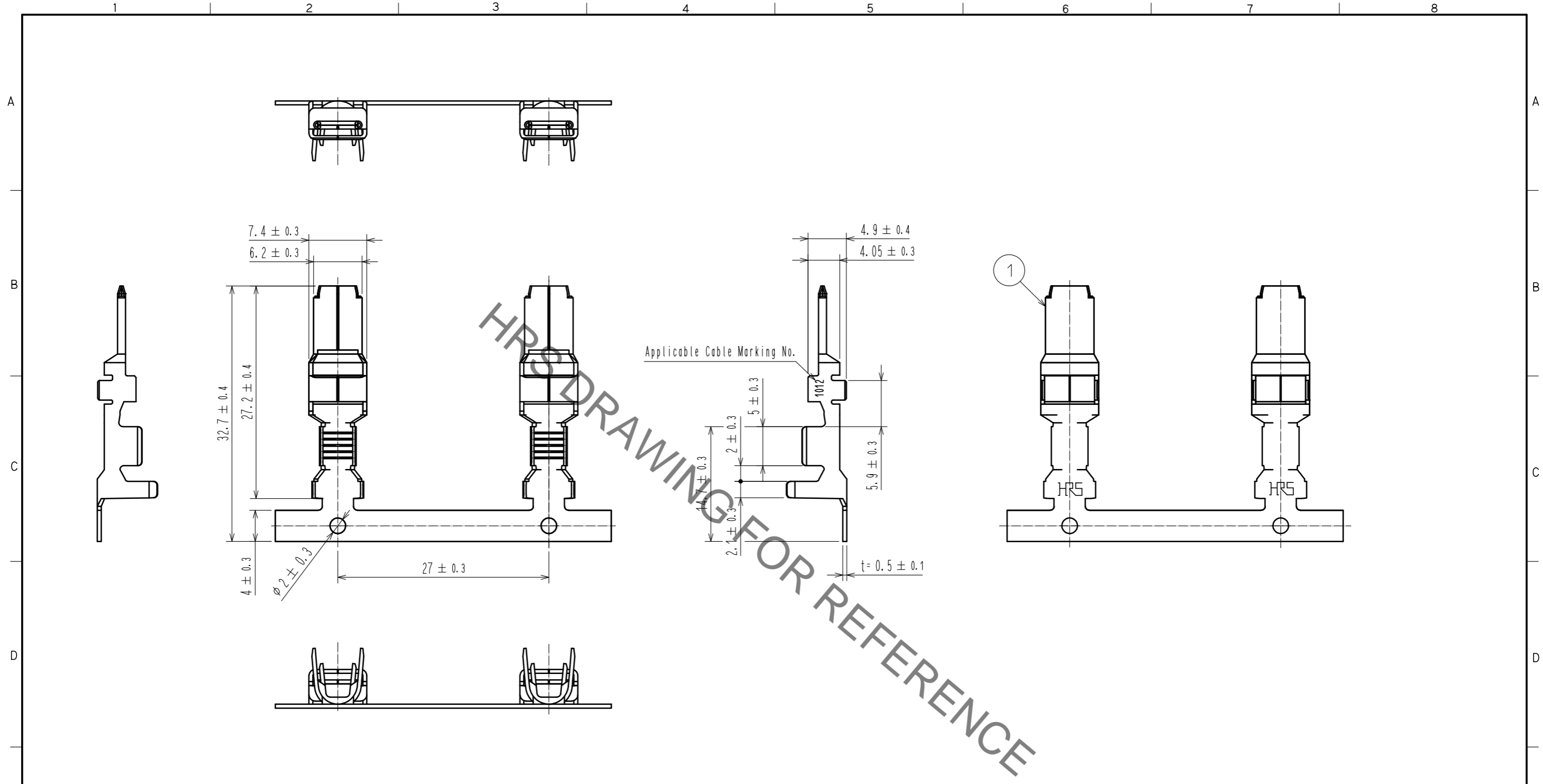
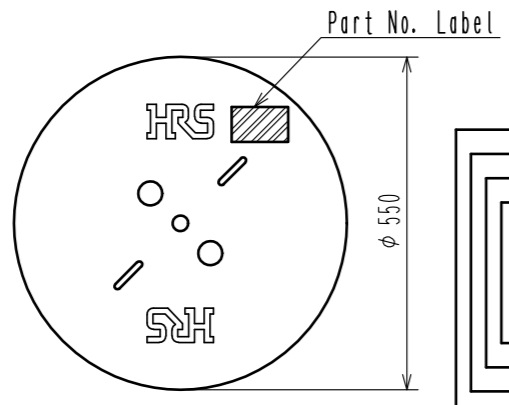


May.1.2023 Copyright 2023 HIROSE ELECTRIC CO., LTD. All Rights Reserved.
 In case of consideration for using Automotive equipment / device which demand high reliability, kindly contact our sales window correspondents.



2 Style and Dimension of Reel



Detail of part No. Label

HRS		検査
品名コード	CL680-3024-2-07	
品名	DF60-1012PCFA(07)	
数量	900	
仕様		
LOT No.		
継ぎ目		

Section
 Lot No.
 Specification
 Quantity
 Part No.
 Code No.

Inspection

NOTE 1. 1RL:900 Contacts.

2 Style of Reel and Box Shows in Figure.

3. Please be sure to check the form of crimping using a cable.
 When you adjust Applicator.

NO.		MATERIAL	FINISH . REMARKS	NO.	MATERIAL	FINISH . REMARKS	
UNITS mm		①	SCALE 2 : 1	△	COUNT	DESCRIPTION OF REVISIONS	
APPROVED : HS. OKAWA		16.06.07	DRAWING NO.		EDC-344820-07-00		
CHECED : TS. FUKUSHIMA		16.06.07	PART NO.		DF60-1012PCFA(07)		
DESIGNED : TS. KUMAZAWA		16.06.07	CODE NO.		CL680-3024-2-07		
DRAWN : TS. KUMAZAWA		16.06.07	DESIGNED		CHECKED		
DATE		DATE		DATE		DATE	
HRS HIROSE ELECTRIC CO., LTD.		APPROVED : HS. OKAWA 16.06.07		DRAWING NO. EDC-344820-07-00		Contact Area Surface : Au Plating 0.2μm min Under Plating : Ni Plating 1μm min Others : Ni Plating 0.2μm min	