



## 10W Wall Plug Series PSC12x Adapter Series Meets EISA and Level V Efficiency



### Features

- Double Insulated
- Less Than 0.3W No-Load Current
- Efficiency Level V Compliance
- Class B EMI
- Over Voltage Protection
- Over Current Protection

### Applications

- Wireless Communications
- Networking
- Portable Equipment
- Peripherals

### Safety Approvals

- cUL/UL (for PSC12A)
- SAA (for PSC12S)
- Ecodesign ErP Directive 2009/125/EC (for PSC12E and PSC12K)
- CE (for PSC12E & PSC12K)
- C-Tick (for PSC12S)
- CCC (for PSC12C)

### Mechanical Characteristics <sup>(1)</sup>

- Length: 71.7mm (2.82in)
- Width: 45 (1.77in)
- Height: 49.1mm (1.93in)
- Weight: 75g (2.65oz)

### Output Specifications

Model <sup>(4)</sup>	DC Output Voltage	Load		Ripple <sup>(2)</sup> P-P (max.)	Regulation Line & Load
		Min.	Max.		
PSC12x-050-R <sup>(3)</sup>	5V	0A	2.0A	200mV	±5%
PSC12x-599-R <sup>(3)</sup>	5.99V	0A	1.669A	200mV	±5%
PSC12x-090-R <sup>(3)</sup>	9V	0A	1.11A	180mV	±5%

(1) Mechanical characteristics for PSC12A models

(2) Measured with an oscilloscope with 20MHz (or over) bandwidth. Outputs should be bypassed at a connector with a 0.1uF ceramic capacitor and a 10uF electrolytic capacitor.

(3) X = A for US version, E for EU version, K for UK version, S for Australian version, C for Chinese version

(4) Minimum order quantities of 2500 pieces apply for all models.

Phihong is not responsible for any error, and reserves the right to make changes without notice. Please visit our website at [www.phihong.com](http://www.phihong.com) for the most up-to-date specifications and contact information.

**Input:****AC Input Voltage Rating**

100 to 240VAC

**AC Input Voltage Range**

90 to 264VAC

**AC Input Frequency**

47 to 63Hz

**Input Current**

0.5A (RMS) maximum at 120VAC

0.25A (RMS) maximum at 240VAC

**Leakage Current**

0.25A maximum at 264VAC

**Inrush Current** (Cold Start at ambient 25°C)

30A for 120VAC and maximum load

60A for 240VAC at maximum load

**Input Power Saving**

0.3W maximum at no load

**Output:****Efficiency**

73.4% min average efficiency for 5V model

76.6% min average efficiency for 9V model

**Hold-up Time**

10mS minimum at 120VAC and maximum load

**Short-Circuit Protection**

Auto restart

**Environmental:****Temperature**

Operation 0 to +40°C

Non-operation -40 to +85°C

Humidity 10-90% non-condensing

**Emissions**

Complies with FCC Class B

Complies with EN55032 Class B

**Immunity**

EN50082-1: (EN55024)

EN61000-4-2 Level

EN61000-4-3 Level

EN61000-4-4 Level

EN61000-4-5 Level

EN61000-4-6 Level

EN61000-4-8 Level

EN61000-4-11

**Dielectric Withstand (Hi-pot) Test**

Primary to Secondary: 3000V AC for 1 min., 10mA

Primary to F.G.: 1500V AC for 1 min., 10mA

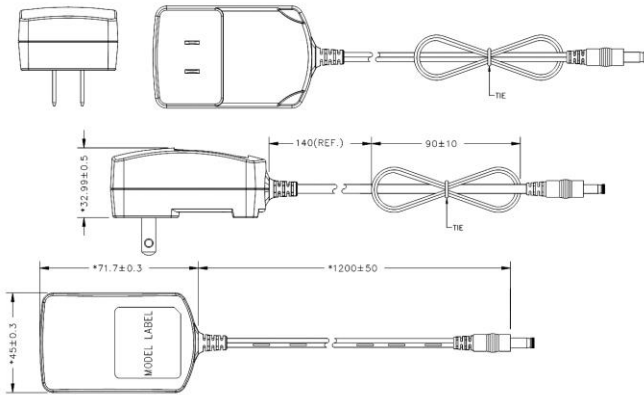
**DC Output Connector**

2.1 x 5.5mm Center Positive Standard

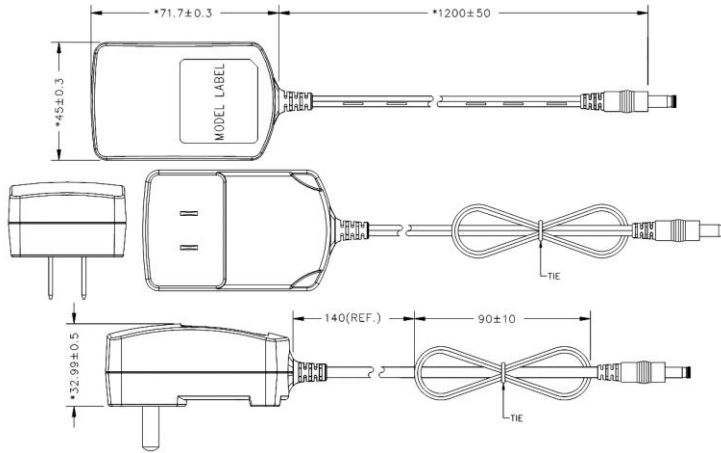
**Mating Connector**

Kycon KLD-0202-A or equivalent

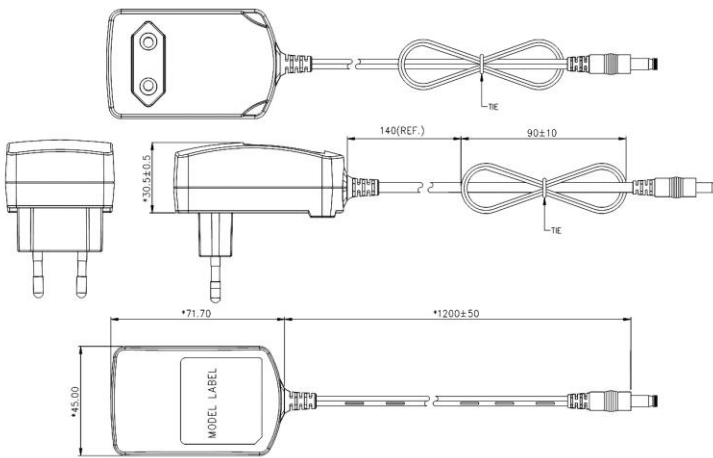
**Dimension Diagram Unit: mm PSC12**



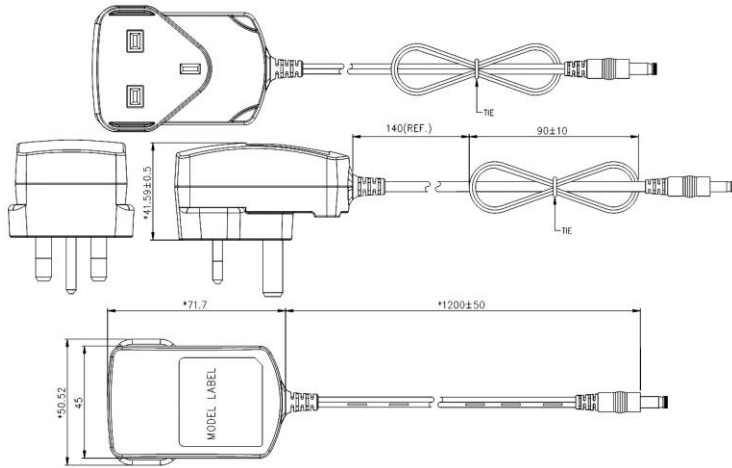
**Dimension Diagram Unit: mm PSC12C**



**Dimension Diagram Unit: mm PSC12E**



**Dimension Diagram Unit: mm PSC12K**



**Dimension Diagram Unit: mm PSC12S**

