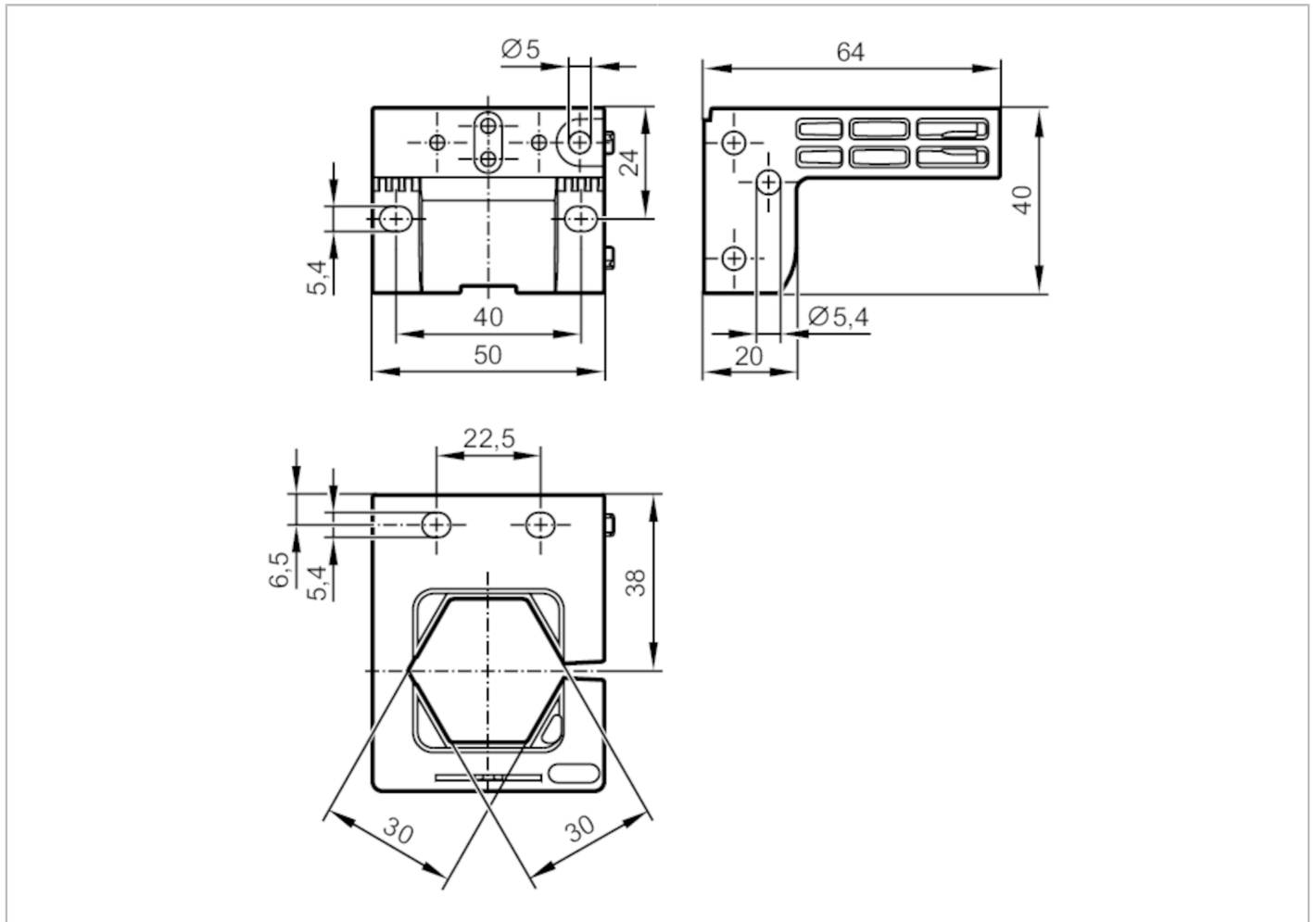


E30421



Angle bracket

UNIVERSAL MOUNTING BRACKET



Mechanical data

Weight	[g]	55.5
Dimensions	[mm]	40 x 50 x 64
Materials		PA 6.6-GF25-M15

Accessories

Items supplied	socket head screw: 1 x M5 x 40
	square nut: 1 x M5
	recess self-tapping screws : 3 x 3 mm

Remarks

Pack quantity	1 pcs.
---------------	--------