

6

5

4

3

2

1

E

E

D

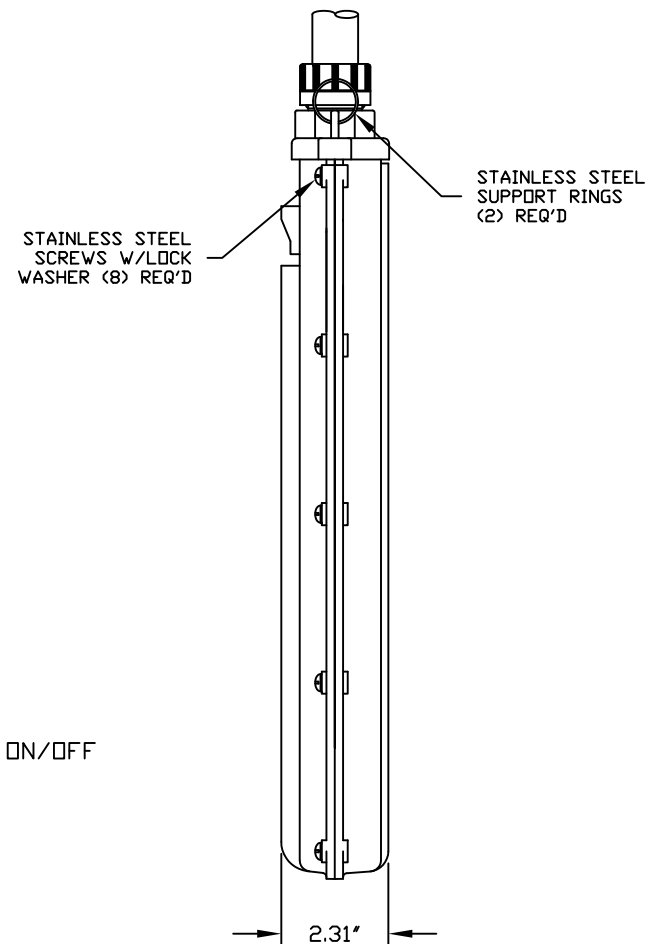
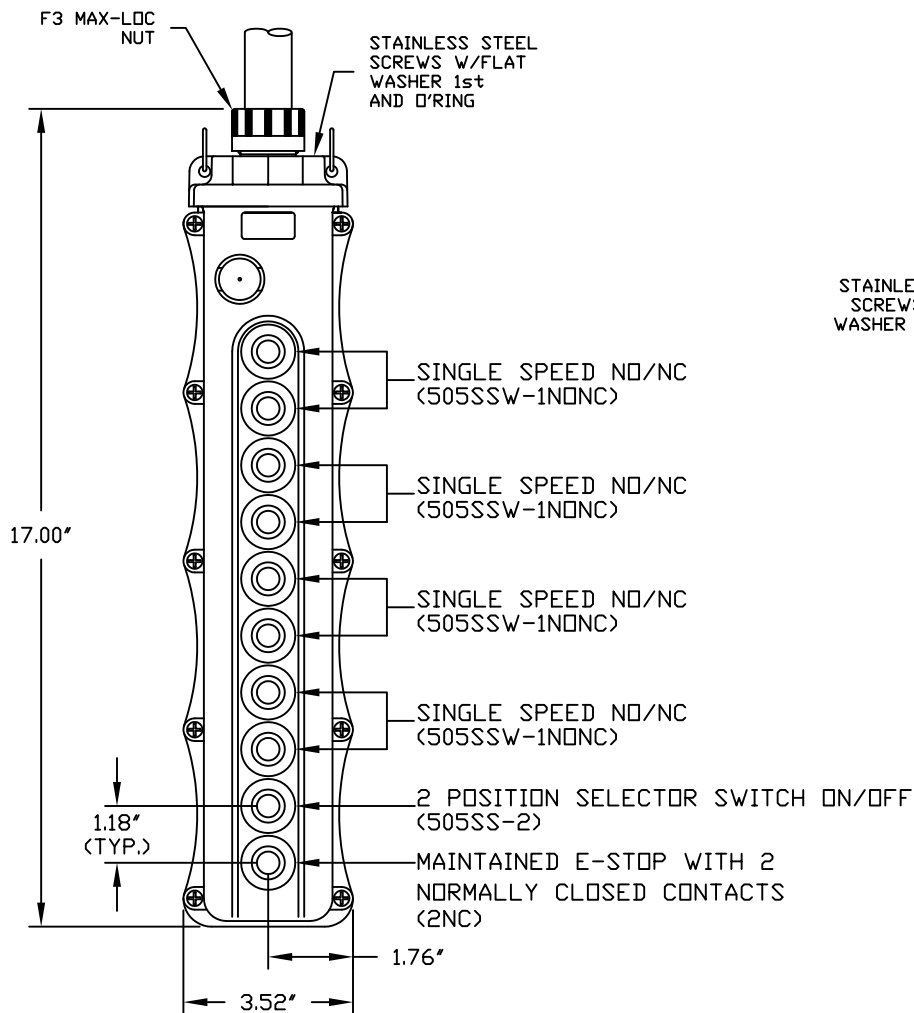
D

C

C

B

B



NOTES:

1. INSTALLATION INSTRUCTIONS, BUTTON ID. LABELS. ARE PACK WITH THE PART.
2. ALL BUTTONS ARE HIGH AMBIENT, CHEMICALLY RESISTANT MATERIAL - COLOR BLACK

RELEASE DRAWING EC NO: WNA2010-0634 DRWN: TVICKERS CHKD: KA APPR: DTITUS 3/3/10 2010/04/28	QUALITY SYMBOLS $\nabla=0$ $\nabla C=0$	GENERAL TOLERANCES (UNLESS SPECIFIED)		DIMENSION STYLE INCH		SCALE NTS	DESIGN UNITS INCH	THIRD ANGLE PROJECTION		
			mm	INCH	DRAWN BY	DATE	TITLE 5060 W/(4) AB2 L2 & 2NC E-STOP			
		4 PLACES	±---	±---	CHKD BY	DATE	MOLEX INCORPORATED			
		3 PLACES	±---	±.005	DTITUS	2010/03/03	DOCUMENT NO. SD-130126-036			
2 PLACES	±0.13	±.010	APPROVED BY		DATE	SHEET NO.				
1 PLACE	±0.25	±.020	DTITUS		2010/02/22	1 OF 1				
ANGULAR ±.5°		DRAFT WHERE APPLICABLE MUST REMAIN WITHIN DIMENSIONS		MATERIAL NO. 1301260322		THIS DRAWING CONTAINS INFORMATION THAT IS PROPRIETARY TO MOLEX INCORPORATED AND SHOULD NOT BE USED WITHOUT WRITTEN PERMISSION				
B	REV	SIZE A								

6

5

4

3

2

1

A

A