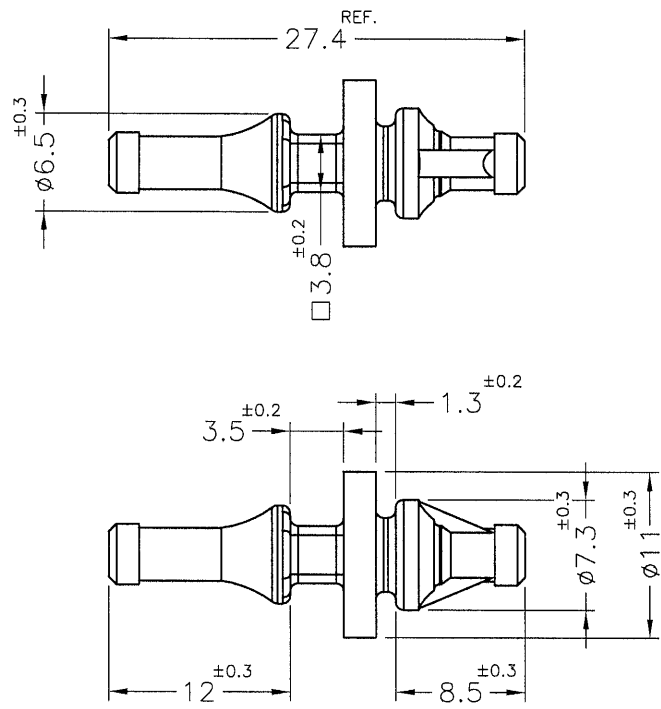
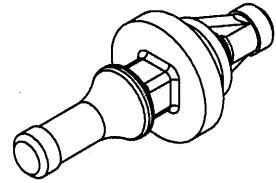




REVISIONS			
REV	DESCRIPTION	DATE	BY



PART NO.	HARDNESS
BUB-189G(B)	45°±10°
BUB-189H(B)	55°±10°

NOTE: 1. ALL MEASUREMENT DOES NOT INCLUDE GATE WHICH RAISES UNDER 1.2mm
 所有尺寸量測皆不含進膠口, 膠口凸出1.2mm之內.
 2. MADE OF EQUIVALENT MATERIAL.
 均可使用同等材質.

 <p>康揚企業股份有限公司 KANG YANG HARDWARE ENTERPRISE CO., LTD. 康揚塑膠(東莞)有限公司 KANG YANG PLASTIC(DONG GUAN) CO., LTD. 康哲電腦配件(吳江)有限公司 KANG CHE COMPUTER COMPONENTS(WUJIANG) CO., LTD.</p>	TITLE FAN SNAP RIVET		SPEC. DWG.	
	MATERIAL TPE		DATE 2016.08.10	
	HARDNESS SEE ABOVE		DRAWN Summer	
	COLOR BLACK		CHECK 	
PART NUMBER SEE ABOVE	DRAWING NUMBER BUB-189		UNLESS OTHERWISE SPECIFIED TOLERANCE SEE ABOVE	
SIZE A4	SCALE 2:1	UNIT mm	REV B	APPROVED 