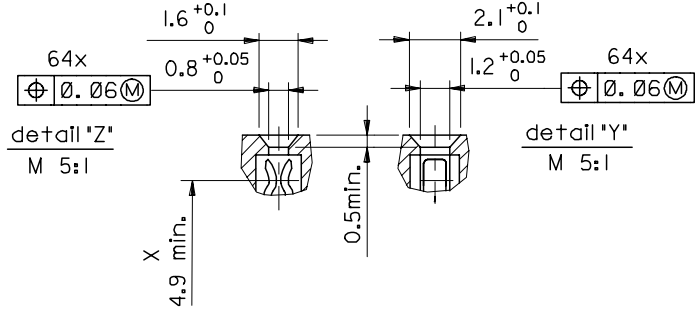
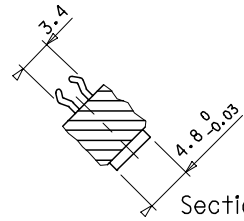
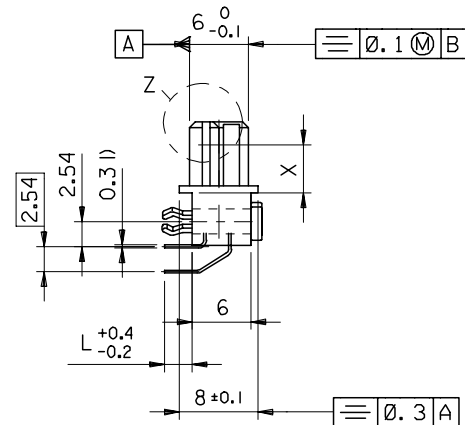


l) tails to fit in PC-board layout



FIRST ANGLE PROJECTION

REVISE ONLY ON CAD SYSTEM SH. REV.

12006-0451	REVISIONS FOR PREVIOUS REVISIONS SEE ARI LIST	UNLESS OTHERWISE SPECIFIED TOLERANCES: ANGULAR $\pm 2^\circ$	DRWG BY	SIGN
2006/02/02		INCH METRIC	KN	
		3 PLACE $\pm$	CHK'D BY	SIGN
		2 PLACE $\pm$	Ca	
		1 PLACE $\pm$	APP'D BY	SIGN
		DRAFT WHERE APPLICABLE MUST REMAIN WITHIN DIMENSIONS	JB	
		DESIGN DIMENSION <input checked="" type="checkbox"/> MM <input type="checkbox"/> IN.	SCALE	
		EQUIVALENT DIMENSION <input type="checkbox"/> MM <input type="checkbox"/> IN.	2:1	
		IF TWO DIMENSIONS ARE SHOWN THE UPPER IS THE DESIGN DIMENSION LOWER IS SECONDARY		

CAD/CAM PROJECT NAME 85050000 s11		THIS DRAWING CONTAINS INFORMATION THAT IS PROPRIETARY TO MOLEX INC. & SHOULD NOT BE USED WITHOUT WRITTEN PERMISSION	
TITLE 64 pos. female connector DIN 41612 style Q + clip Dimensions			
MOLEX MOLEX EUROPE		SHEET NO. 1 OF 1	DATE 96/10/22
PART NO. SEE CHART	DWG NO. SDA-85050-0001	SIZE B	