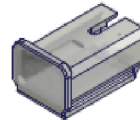
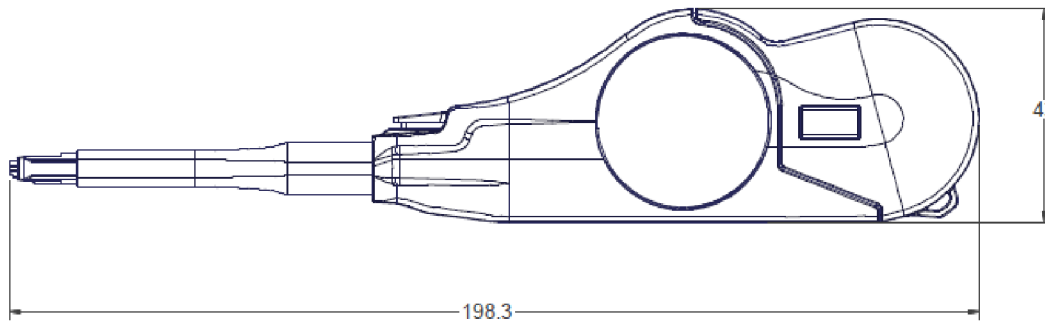
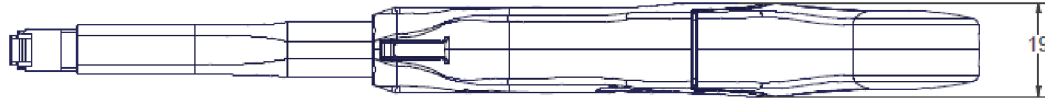


SW2014



Revision level			Revision Record	Changed	Date	Approved	Date
Drawing	State	Part					
00.0	Design Release		SEE ECN# 013482	GRW	6/29/2016	KAC	6/29/2016



NOTES:

1. THIS PRODUCT COMPLIES WITH THE EU DIRECTIVE 2002/95/EC ON THE RESTRICTION OF THE USE OF HAZARDOUS SUBSTANCES IN ELECTRICAL AND ELECTRONIC EQUIPMENT (RoHS).
2. -INDIVIDUAL BOX DIMENSIONS:
L215 x W50 x H30 mm
-10pc. CARTON DIMENSIONS:
L220 x W154 x H106 mm
3. SHIPPING WEIGHTS: INDIVIDUAL = 58g
CASE = 827g

Material ASSEMBLED	Units: millimeters Dimension without tolerances details to: .XXX = ±.013 .XX = ±.13 .X = ±.3 None = ±.8 ∠ = ±0.5° Dimension Formatted mm/[in]	The copyright of this drawing is reserved by HellermannTyton. It is issued on condition that it is not reproduced, copied, or disclosed to a third party, either wholly or in part, without the consent of HellermannTyton.	Drawn	GRW	6/28/2016	Article/Type-No	855-49208 / FACMTP	Scale	1:1	
			Approved	KAC	6/28/2016	Title	MTP BULKHEAD CLEANER	Project Number	PRP 16-1258	
			 North America Email: corp@htamericas.com Web: www.hellermann.tyton.com			Drawing-No	PRODUCTION : Phase		Format	AH
						16-1258-001-CSU			Sheet	1/1