

## Module Clamp w/o strain relief (1 pcs)

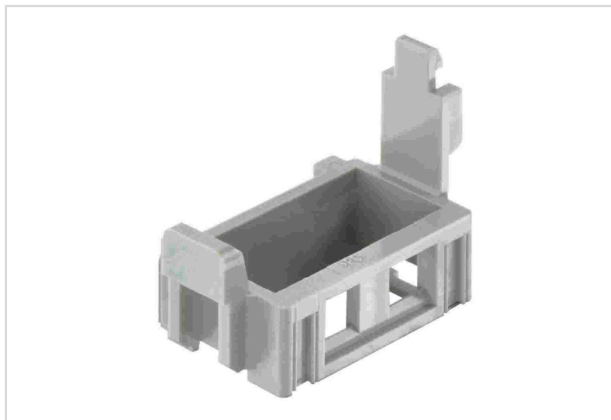


Image is for illustration purposes only. Please refer to product description.

Part number	09 14 000 0311
Specification	Module Clamp w/o strain relief (1 pcs)
HARTING eCatalogue	<a href="https://b2b.harting.com/09140000311">https://b2b.harting.com/09140000311</a>

### Identification

Category	Accessories
Series	Han-Modular®
Type of accessory	Module locking system

### Material properties

RoHS	compliant
ELV status	compliant
China RoHS	e
REACH Annex XVII substances	Not contained
REACH ANNEX XIV substances	Not contained
REACH SVHC substances	Yes
REACH SVHC substances	Potassium 1,1,2,2,3,3,4,4,4-nonafluorobutane-1-sulphonate
Fire protection on railway vehicles	EN 45545-2 (2020-08)
Requirement set with Hazard Levels	R22 (HL 1-3) R23 (HL 1-3)

### Commercial data

Packaging size	1
Net weight	4.26 g
Country of origin	Germany
European customs tariff number	85389099
GTIN	5713140018204



**Pushing Performance**  
Since 1945

## Commercial data

eCl@ss

27440392 Connector (accessories)

---