

13 12 11 10 9 8 7 6 5 4 3 2 1

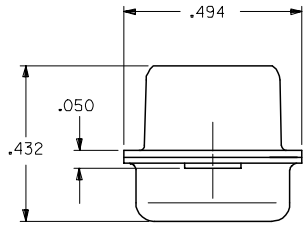
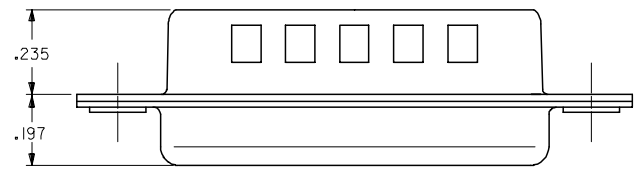
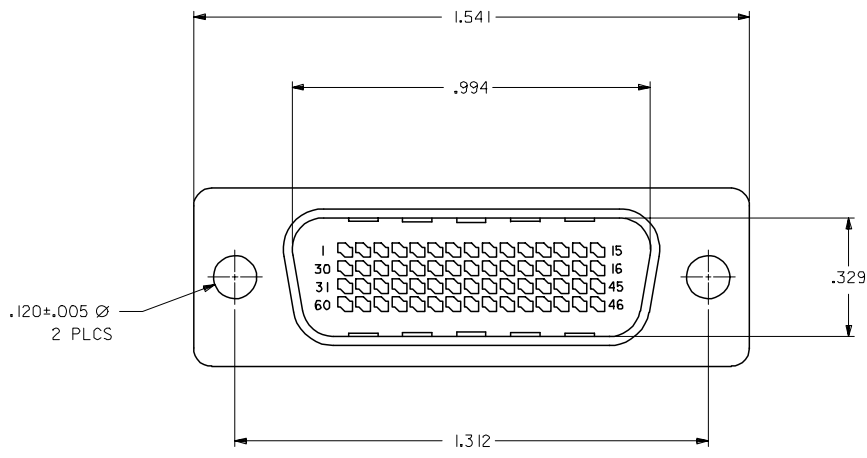
J  
I  
H  
G  
F  
E  
D  
C  
B  
A

J  
I  
H  
G  
F  
E  
D  
C  
B  
A

**NOTES:**

- 1) PLASTIC HOUSING:  
GLASS FILLED LCP (LIQUID CRYSTAL POLYMER), UL 94 V-0, COLOR: BLACK.
- 2) FRONT SHELL:  
DEEP DRAWN STEEL, .020" THICK;  
PLATING: SEE TABLE  
BRIGHT TIN: 150-250 MICROINCHES BRIGHT TIN OVER 50-150 MICROINCHES NICKEL OVER COPPER FLASH OVERALL (OPTIONAL).  
BRIGHT NICKEL: 100-175 MICROINCHES BRIGHT NICKEL OVER 50 MICROINCHES MAXIMUM COPPER OVERALL.
- 3) BACK SHELL:  
DEEP DRAWN STEEL, .016" THICK;  
PLATING: 150-250 MICROINCHES BRIGHT TIN OVER 50-150 MICROINCHES NICKEL OVER COPPER FLASH OVERALL (OPTIONAL).
- 4) THIS CONNECTOR CONFORMS TO PRODUCT SPECIFICATION PS-70928.
- 5) PACKAGING SPECIFICATION PK-70873-0236 APPLIES.
- 6) SEE APPLICATION SPECIFICATION PS-70929 FOR ASSEMBLY AND TERMINATION DETAILS.
- 7) INSERT-MOLDED TERMINAL STRIP ASSEMBLIES ARE SUPPLIED SEPARATELY (SEE SHEET 2 FOR ORDERING INFORMATION).

NOTE FOR LEAD FREE CONVERSION:  
THE PRIMARY SHIPPING CARTON WILL BE LABELED "COMPLIANT TO RoHS DIRECTIVE 2002/95/EC AND ELV ANNEX II OF DIRECTIVE 2000/53/EC". CARTONS WITHOUT THIS LABEL MAY CONTAIN PRODUCT WITH LEAD.



2	A
1	B
SHT	REV

PART NO.	PRODUCT DESCRIPTION	FRONT SHELL PLATING
70929-2020	60 CKT. I/O PLUG CONNECTOR SUB-ASSEMBLY	BRIGHT TIN
70929-2029	60 CKT. I/O PLUG CONNECTOR SUB-ASSEMBLY	BRIGHT NICKEL

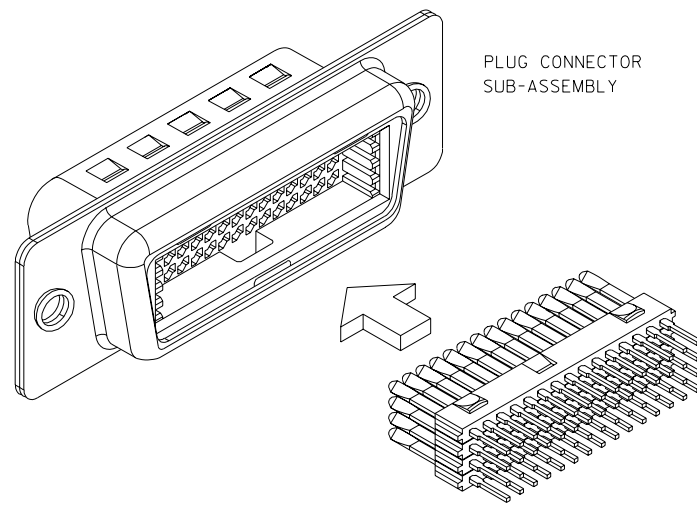
ADD 70929-2029	2006/02/06
EC NO: UICP2006-0666	2006/02/06
DRWN:MS/BARRA	2006/02/07
CHKD:DMORGAN	2006/02/07
APPR:SMILLER	2006/02/09
REV	DESCRIPTION

QUALITY SYMBOLS	GENERAL TOLERANCES (UNLESS SPECIFIED)
▽=0	mm INCH
▽=0	4 PLACES ± --- ± ---
	3 PLACES ± --- ± ---
	2 PLACES ± --- ± ---
	1 PLACE ± --- ± ---
	ANGULAR ±1/2°
	DRAFT WHERE APPLICABLE MUST REMAIN WITHIN DIMENSIONS

DIMENSION STYLE	SCALE	DESIGN UNITS	THIRD ANGLE PROJECTION
INCH ONLY	4:1	INCH	☉ □
DRAWN BY	DATE	TITLE	
RKA	2004/08/16	SALES ASSEMBLY LFH 60CKT I/O PLUG FOR CABLE ASSEMBLIES	
CHECKED BY	DATE		
BB	2004/08/16		
APPROVED BY	DATE		
SM	2004/08/16		
MATERIAL NO.	DOCUMENT NO.	SHEET NO.	
SEE TABLE	SD-70929-001	1 OF 2	
SIZE	THIS DRAWING CONTAINS INFORMATION THAT IS PROPRIETARY TO MOLEX INCORPORATED AND SHOULD NOT BE USED WITHOUT WRITTEN PERMISSION		
C			

MOLEX	MOLEX INCORPORATED
-------	--------------------

12 11 10 9 8 7 6 5 4 3 2 1



PLUG CONNECTOR  
SUB-ASSEMBLY

INSERT MOLDED TERMINAL STICKS  
SUPPLIED SEPARATELY  
SEE SALES DRAWING: SDA-70984-100\*  
NOTE: STICKS SHOWN WITH CARRIER REMOVED

70929

A SEE SHEET 1

DIMENSIONS SHOWN (METRIC) INCH		▽ = 0	▼ = 0	REVISE ONLY ON CAD SYSTEM	
UNLESS OTHERWISE SPECIFIED TOLERANCES: ANGULAR ± 1/2°		TITLE			
3 PLACE ±		SALES ASSEMBLY			
2 PLACE ±		LFH 60 CKT I/O PLUG			
1 PLACE --- ±		FOR CABLE ASSEMBLIES			
DRAFT WHERE APPLICABLE MUST REMAIN WITHIN DIMENSIONS		MOLEX LITSE,ILL.	60532	SHEET NO. 2	DATE 04/8/16
DRWG. RKA		CHK'D. BB		PART NO.	
BY SM		SCALE 4: 1		SEE SHEET 1	
APP'D. BY		FILE NAME S70029X1		DRWG. NO. SD-70929-001	
		THIS DRAWING CONTAINS INFORMATION THAT IS PROPRIETARY TO MOLEX INC. AND SHOULD NOT BE USED WITHOUT WRITTEN PERMISSION		DIV. CD	