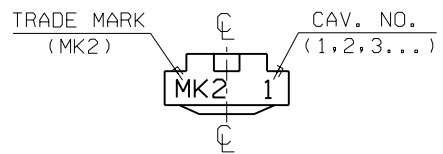
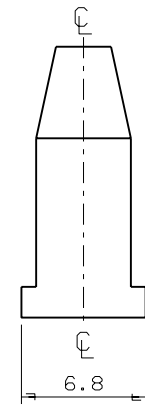
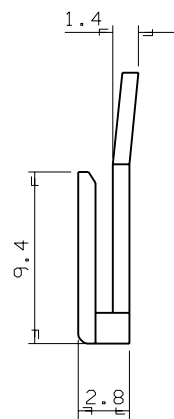
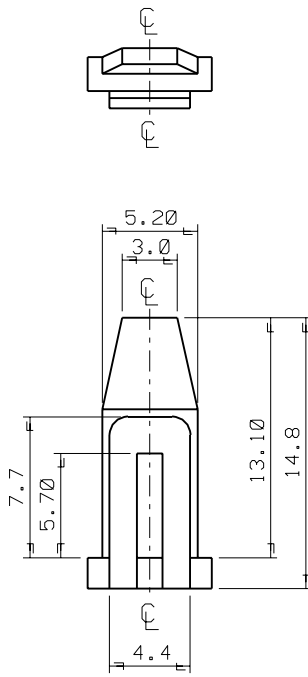
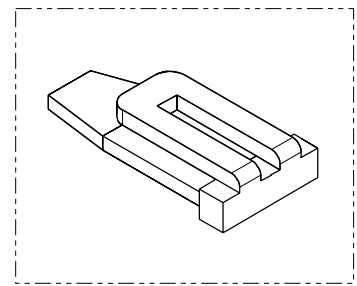


PROJECT NO. .070 MULTI CONN' EDP NO. SIMILAR ITEM ENG. NO SD 35182-019*



- NOTES
- MATERIAL : NYLON 66 (UL94V-2)
 - COLOR : 35182-0190 (NATURAL)
35182-0192 (RED)
35182-0193 (YELLOW)
35182-0194 (BLUE)
 - MATCHED HOUSING : 35181-020*
35181-021*
35181-022*



				MATERIAL SEE NOTES		molex MOLEX-KOREA CO.,LTD.	
				GENERAL TOLERANCE		DRAWN BY J.S.KANG	
				DIMENSION : +0.3		CHK'D BY	
				ANGLE : +1°		APP'D BY	
				DIMENSION CLASSIFICATION		SCALE 4/1	
				▽ : CRITICAL ▼ : MAJOR		TITLE :	
				() : REFERENCE		.070 MULTI FEMALE	
				ASS'Y PART		HOUSING T.P.A-1P	
				DESCRIPTION ENG.NO.		SHEET 1 OF 1	
A NEW RELEASED PDR 94-041 95 9.28				REVISE ONLY ON CAD SYSTEM		ENG. NO. SD 35182-019*	
LTR REVISION RECORD ECN DATE				---		REV A	