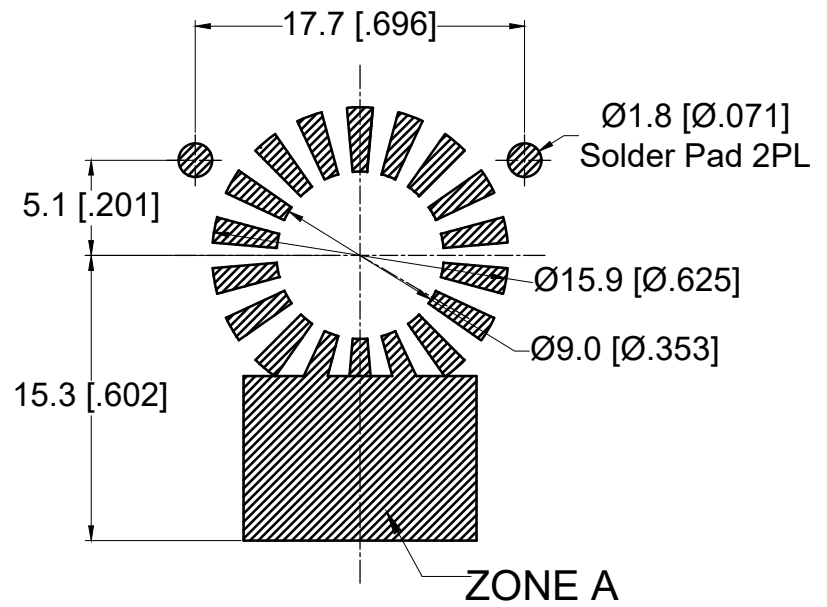
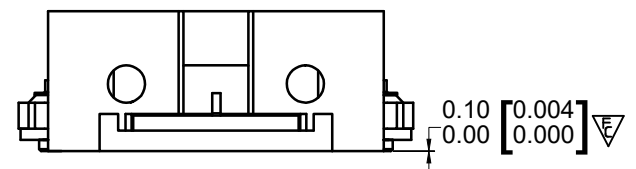
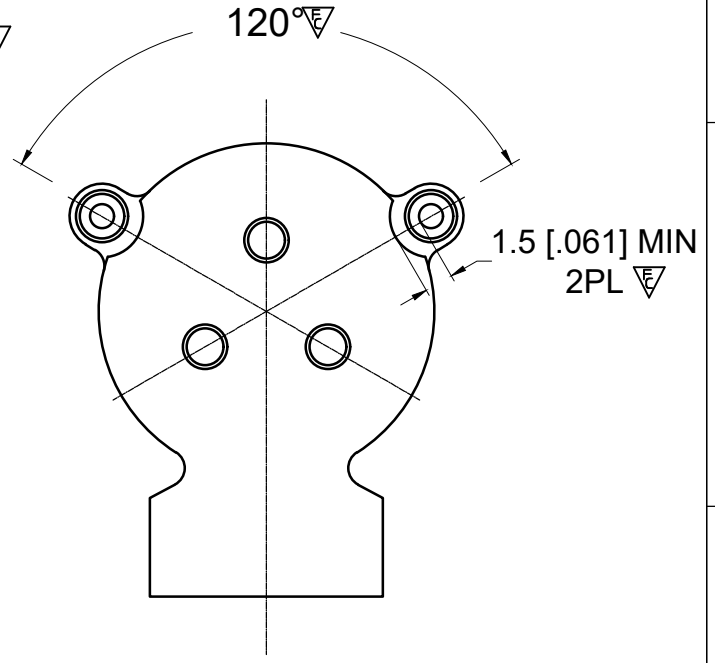
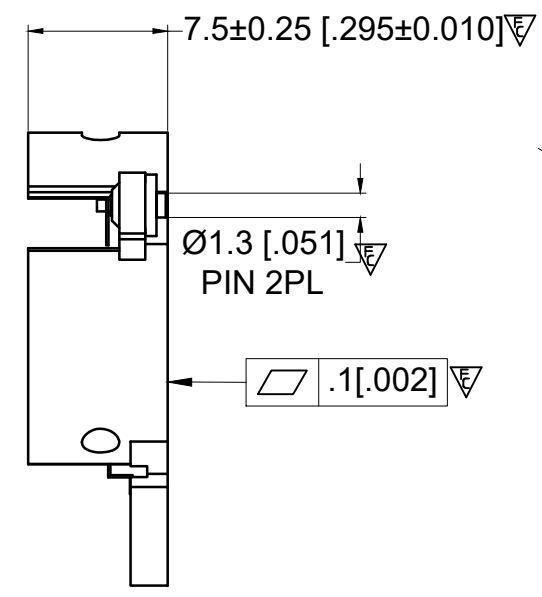
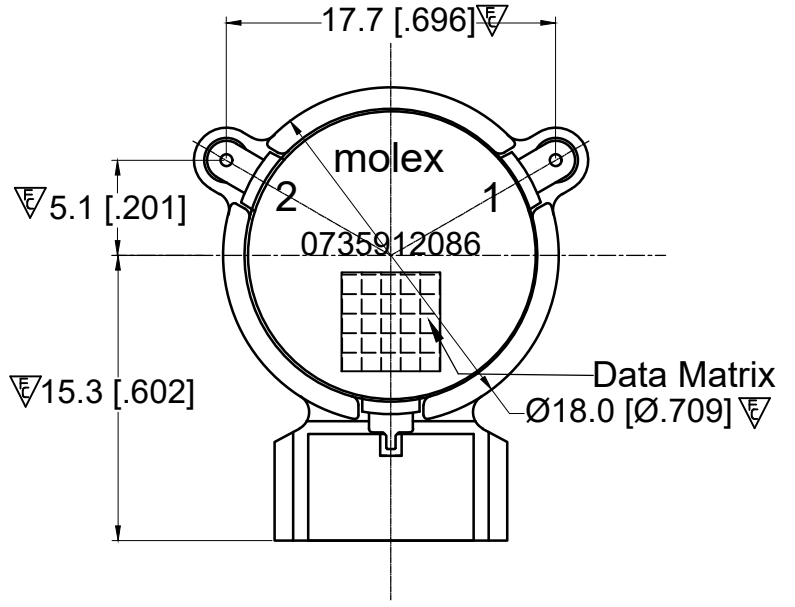


**RECOMMENDED LAND PATTERN :**  
 Zone A must be attached to heat sink. Thermal conductivity of intermediate layers between Zone A and heat sink must be better than 0.1 W / [°C x mm].



PCB MATERIAL:ROGERS 4350B 20MIL



**ELECTRICAL SPECIFICATION :**  
 Frequency Range : 1805 to 1880 MHz  
 Isolation (In Band) : 28 dB Min  
 Insertion Loss : 0.18 dB Max  
 FWD Power : 150W (CW)  
 Peak Power : 1000 W  
 REV Power : 60 W  
 Return Loss : 25 dB Min  
 IMD (2 x 65 W, 1 MHz space) : -70 dBc Max  
 2nd Harmonics : 10 dBc  
 3rd Harmonics : 5 dBc  
 Operating Temperature : -40°C to +120°C  
 +120°C to +130°C : power capacity and reliability no change ,  
 other spec.reduce 10%  
 Storage Temperature : -40°C to +130°C  
 Direction : CCW

**BODY:** CARBON STEEL, SILVER PLATED  
**RIGID PINS:** COPPER, SILVER PLATED  
**NOTES:**  
 1. STANDARD INPUT/OUTPUT IMPEDANCE 50 OHM  
 2. LEAD FREE, NO ND MATERIAL, BEO FREE  
 3. THE DIMENSION OF THE DATA MATRIX IS 5.3MM\*5.3MM, INFORMATION INCLUDED  
 WORK ORDER NUMBER-SERIAL NUMBER-MATERIAL NUMBER  
 4. THIS PART COMPLIES WITH ALL ROHS REQUIREMENTS.

**ENG PART#: 811-180-188-WC140**

FUNCTIONAL SYMBOLS	THIS DRAWING CONTAINS INFORMATION THAT IS PROPRIETARY TO MOLEX ELECTRONIC TECHNOLOGIES, LLC AND SHOULD NOT BE USED WITHOUT WRITTEN PERMISSION		CURRENT REV DESC:		<b>molex</b>
	DIMENSION UNITS	SCALE	RELEASE TO PROD		
▽=0	MM	1:1			SMSJ ISOLATOR/1805~1880MHZ/CCW
▽=0	GENERAL TOLERANCES (UNLESS SPECIFIED)				
▽=0		mm	INCH	EC NO: 696580	RESTRICTED PRODUCT CUSTOMER DRAWING
	4 PLACES	±0.005	±----	DRWN: SREN05 2022/02/21	
	3 PLACES	±0.025	±----	CHK'D: JLI252 2022/02/23	DOCUMENT NUMBER
	2 PLACES	±0.13	±----	APPR: HWANG186 2022/03/01	
DIVISIONAL SYMBOLS	1 PLACE	±0.25	±----	INITIAL REVISION:	735912086
	0 PLACES	±0.4	±----	DRWN: SREN05 2021/12/08	
	ANGULAR TOL ± 1.5 °		APPR: HWANG186 2022/03/01		PSD 000 A
	DRAFT WHERE APPLICABLE MUST REMAIN WITHIN DIMENSIONS		THIRD ANGLE PROJECTION	DRAWING	SERIES
				A3-SIZE	73591
				MATERIAL NUMBER	CUSTOMER
				0735912086	CUSTOM PART
					SHEET NUMBER
					1 OF 1

DOCUMENT STATUS	P1	RELEASE DATE	2022/03/01	06:07:30
-----------------	----	--------------	------------	----------