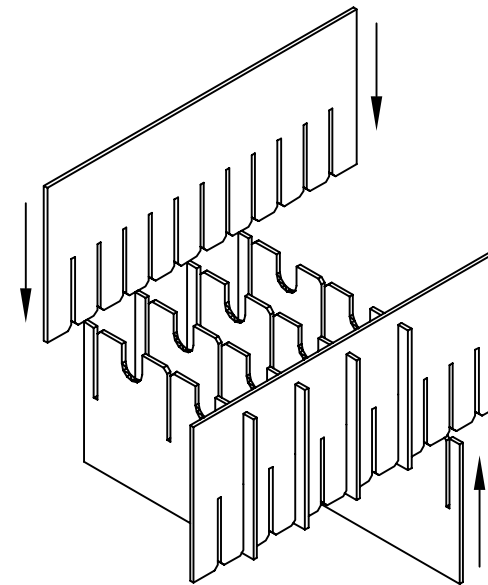
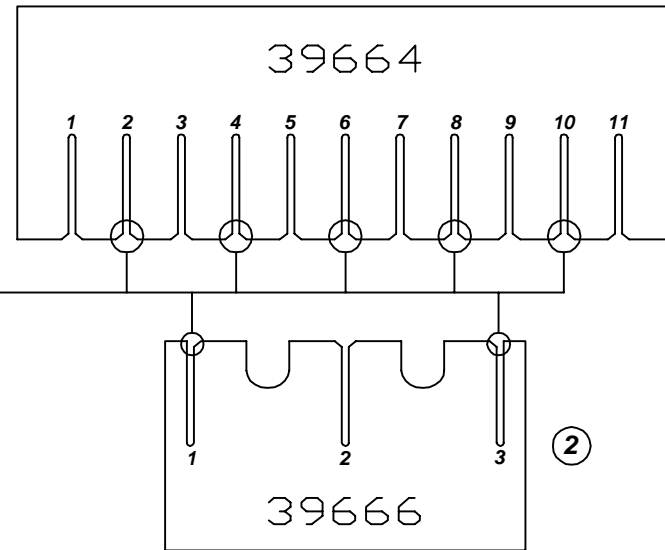
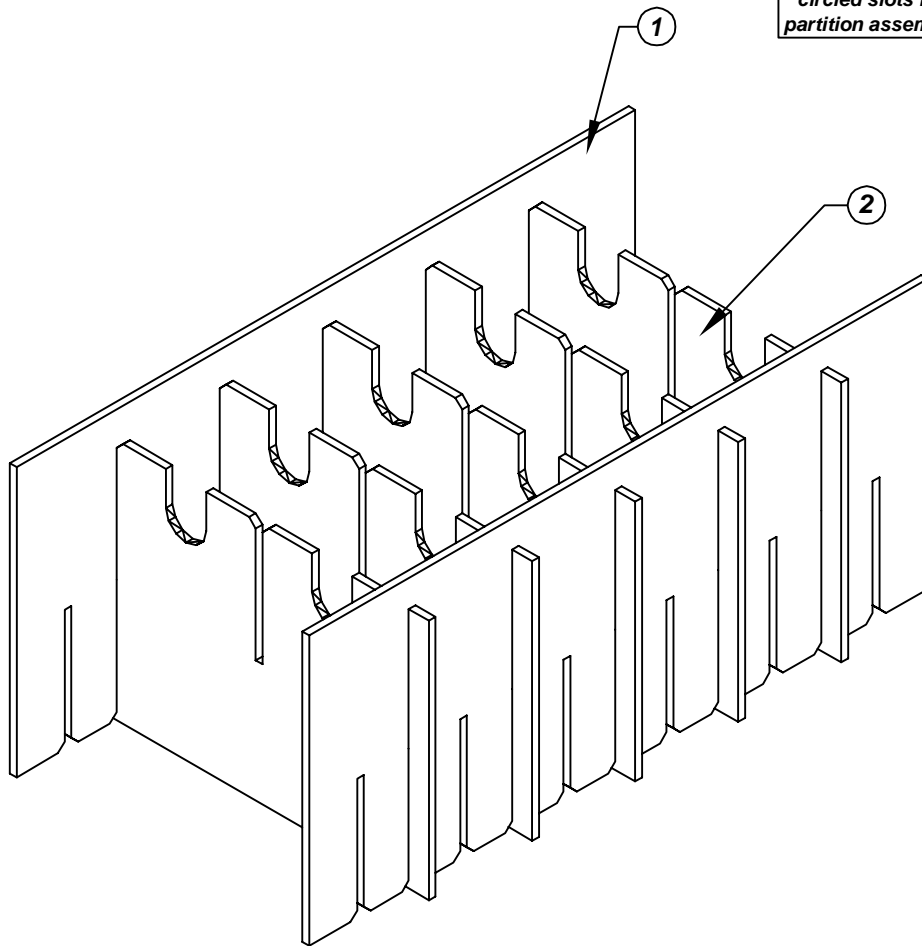


Assembly Instructions for - 37258



Made in America

F/N	Part #	Dimensions:	Description:	Qty:
①	39664	20-1/4" x 23"	440-HLP Long Partition	2
②	39666	18-1/4" x 12-5/8"	440-HSP Short Partition	5

37258 - 6 Cell Inplant Handler Cell Size - 10" x 10-3/4" x 3-5/8"

Notes:
For use with the following storage containers & lid:
37514 - Storage Container
37552 - Lid

PROTEKTIVE PAK
13520 MONTE VISTA AVENUE, CHINO, CA 91710
PHONE (909) 627-2578, FAX (909) 363-7331
ProtektivePak.com

PROTEKTIVE PAK
BURIED CONDUCTIVE LAYER

DRAWING NUMBER
IPH-37258

DATE
Nov.
2007