



Figure similar

Non-reversing motor starter, Size 2 1/2, Three phase full voltage, Solid-state overload relay, OLR amp range 25-100A, 240V 50Hz / 277V 60Hz coil, Combination type, 60A fusible disconnect, 60A/600V fuse clip, Encl NEMA type 4X 304 S-Steel, Water/dust tight noncorrosive, Extra-wide enclosure

|   |   |
|---|---|
| product brand name  | Class 17  |
| design of the product   | Non-reversing motor starter with fusible disconnect |
| special product feature   | ESP200 overload relay; Half-size controller         |
| <b>General technical data</b>   |   |
| weight [lb]   | 78 lb   |
| Height x Width x Depth [in]   | 36 × 24 × 8 in                                      |
| touch protection against electrical shock                               | NA for enclosed products                            |
| installation altitude [ft] at height above sea level maximum            | 6560 ft   |
| ambient temperature [°F]  |   |
| • during storage  | -22 ... +149 °F                                     |
| • during operation  | -4 ... +104 °F                                      |
| ambient temperature   |   |
| • during storage  | -30 ... +65 °C                                      |
| • during operation  | -20 ... +40 °C                                      |
| country of origin   | USA   |
| <b>Horsepower ratings</b>   |   |
| yielded mechanical performance [hp] for 3-phase AC motor                |   |
| • at 200/208 V rated value  | 0 hp  |
| • at 220/230 V rated value  | 0 hp  |
| • at 460/480 V rated value  | 0 hp  |
| • at 575/600 V rated value  | 30 hp   |
| <b>Contactors</b>   |   |
| size of contactor   | Controller half size 2 1/2                          |
| number of NO contacts for main contacts                                 | 3   |
| operating voltage for main current circuit at AC at 60 Hz maximum       | 600 V   |
| operational current at AC at 600 V rated value                          | 60 A  |
| mechanical service life (switching cycles) of the main contacts typical | 10000000  |
| <b>Auxiliary contact</b>  |   |
| number of NC contacts at contactor for auxiliary contacts               | 0   |
| number of NO contacts at contactor for auxiliary contacts               | 1   |
| number of total auxiliary contacts maximum                              | 7   |
| contact rating of auxiliary contacts of contactor according to UL       | 10A@600VAC (A600), 5A@600VDC (P600)                 |
| <b>Coil</b>   |   |
| type of voltage of the control supply voltage                           | AC  |
| control supply voltage  |   |

|  |  |
|--|--|
| <ul style="list-style-type: none"> <li>• at AC at 50 Hz rated value</li> <li>• at AC at 60 Hz rated value</li> </ul>   | 240 V  |
|  | 277 V  |
| holding power at AC minimum  | 8.6 W  |
| apparent pick-up power of magnet coil at AC  | 218 VA   |
| apparent holding power of magnet coil at AC  | 25 VA  |
| operating range factor control supply voltage rated value of magnet coil   | 0.85 ... 1.1                                   |
| percental drop-out voltage of magnet coil related to the input voltage   | 50 %   |
| ON-delay time  | 19 ... 29 ms                                   |
| OFF-delay time   | 10 ... 24 ms                                   |
| <b>Overload relay</b>  |  |
| product function   |  |
| <ul style="list-style-type: none"> <li>• overload protection</li> <li>• phase failure detection</li> <li>• asymmetry detection</li> <li>• ground fault detection</li> <li>• test function</li> <li>• external reset</li> </ul> | Yes<br>Yes<br>Yes<br>Yes<br>Yes<br>Yes         |
| reset function   | Manual, automatic and remote                   |
| trip class   | CLASS 5 / 10 / 20 (factory set) / 30           |
| adjustable current response value current of the current-dependent overload release  | 25 ... 100 A                                   |
| tripping time at phase-loss maximum  | 3 s  |
| relative repeat accuracy   | 1 %  |
| product feature protective coating on printed-circuit board  | Yes  |
| number of NC contacts of auxiliary contacts of overload relay  | 1  |
| number of NO contacts of auxiliary contacts of overload relay  | 1  |
| operational current of auxiliary contacts of overload relay  |  |
| <ul style="list-style-type: none"> <li>• at AC at 600 V</li> <li>• at DC at 250 V</li> </ul>   | 5 A<br>1 A                                     |
| contact rating of auxiliary contacts of overload relay according to UL   | 5A@600VAC (B600), 1A@250VDC (R300)             |
| insulation voltage (Ui)  |  |
| <ul style="list-style-type: none"> <li>• with single-phase operation at AC rated value</li> <li>• with multi-phase operation at AC rated value</li> </ul>  | 600 V<br>300 V                                 |
| <b>Disconnect Switch</b>   |  |
| response value of switch disconnecter  | 60A / 600V                                     |
| design of fuse holder  | Class R fuse clips                             |
| operating class of the fuse link   | Class R  |
| <b>Enclosure</b>   |  |
| degree of protection NEMA rating   | 4X, 304 stainless steel                        |
| design of the housing  | dustproof, waterproof & resistant to corrosion |
| <b>Mounting/wiring</b>   |  |
| mounting position  | vertical                                       |
| fastening method   | Surface mounting and installation              |
| type of electrical connection for supply voltage line-side   | Box lug  |
| tightening torque [lbf·in] for supply  | 35 ... 35 lbf·in                               |
| type of connectable conductor cross-sections at line-side at AWG cables single or multi-stranded   | 1x (14 ... 2 AWG)                              |
| temperature of the conductor for supply maximum permissible  | 75 °C  |
| material of the conductor for supply   | AL or CU                                       |
| type of electrical connection for load-side outgoing feeder  | Box lug  |
| tightening torque [lbf·in] for load-side outgoing feeder   | 45 ... 45 lbf·in                               |
| type of connectable conductor cross-sections at AWG cables for load-side outgoing feeder single or multi-stranded  | 1x (14 ... 2 AWG)                              |
| temperature of the conductor for load-side outgoing feeder maximum permissible   | 75 °C  |

|  |   |
|--|---|
| material of the conductor for load-side outgoing feeder  | AL or CU  |
| type of electrical connection of magnet coil   | Screw-type terminals                                |
| tightening torque [lbf-in] at magnet coil  | 5 ... 12 lbf-in                                     |
| type of connectable conductor cross-sections of magnet coil at AWG cables single or multi-stranded                           | 2x (16 ... 12 AWG)                                  |
| temperature of the conductor at magnet coil maximum permissible  | 75 °C   |
| material of the conductor at magnet coil   | CU  |
| type of electrical connection for auxiliary contacts   | Screw-type terminals                                |
| tightening torque [lbf-in] at contactor for auxiliary contacts   | 10 ... 15 lbf-in                                    |
| type of connectable conductor cross-sections at contactor at AWG cables for auxiliary contacts single or multi-stranded      | 1x (12 AWG), 2x (16 ... 14 AWG), 2x (18 ... 16 AWG) |
| temperature of the conductor at contactor for auxiliary contacts maximum permissible   | 75 °C   |
| material of the conductor at contactor for auxiliary contacts  | CU  |
| type of electrical connection at overload relay for auxiliary contacts   | Screw-type terminals                                |
| tightening torque [lbf-in] at overload relay for auxiliary contacts  | 7 ... 10 lbf-in                                     |
| type of connectable conductor cross-sections at overload relay at AWG cables for auxiliary contacts single or multi-stranded | 2x (20 ... 14 AWG)                                  |
| temperature of the conductor at overload relay for auxiliary contacts maximum permissible                                    | 75 °C   |
| material of the conductor at overload relay for auxiliary contacts   | CU  |
| <b>Short-circuit current rating</b>  |   |
| design of the fuse link for short-circuit protection of the main circuit required  | 10kA@600V (Class H or K); 100kA@600V (Class R or J) |
| certificate of suitability   | NEMA ICS 2; UL 508; CSA 22.2, No.14                 |
| <b>Further information</b>   |   |

**Industrial Controls - Product Overview (Catalogs, Brochures,...)**

[www.usa.siemens.com/iccatalog](http://www.usa.siemens.com/iccatalog)

**Industry Mall (Online ordering system)**

<https://mall.industry.siemens.com/mall/en/us/Catalog/product?mlfb=US2:17GUG82WL13>

**Service&Support (Manuals, Certificates, Characteristics, FAQs,...)**

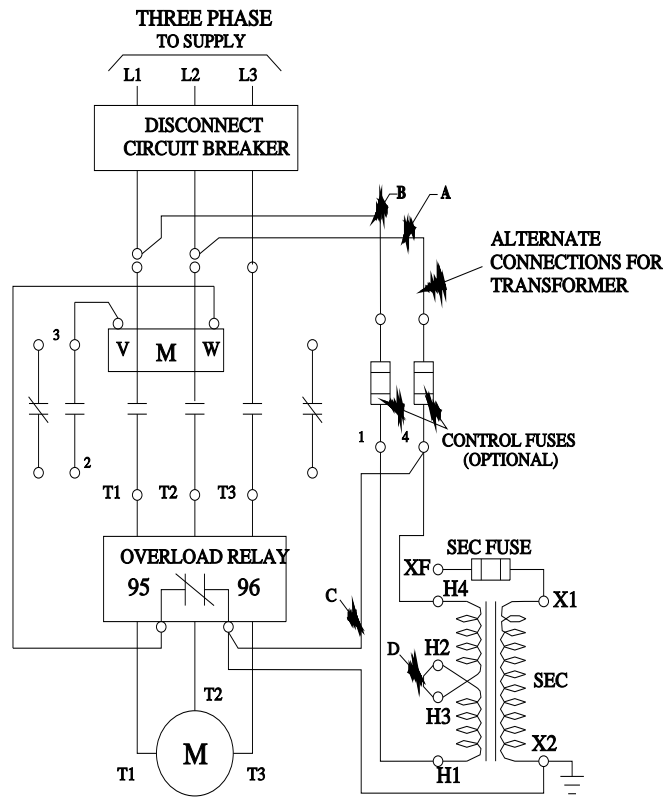
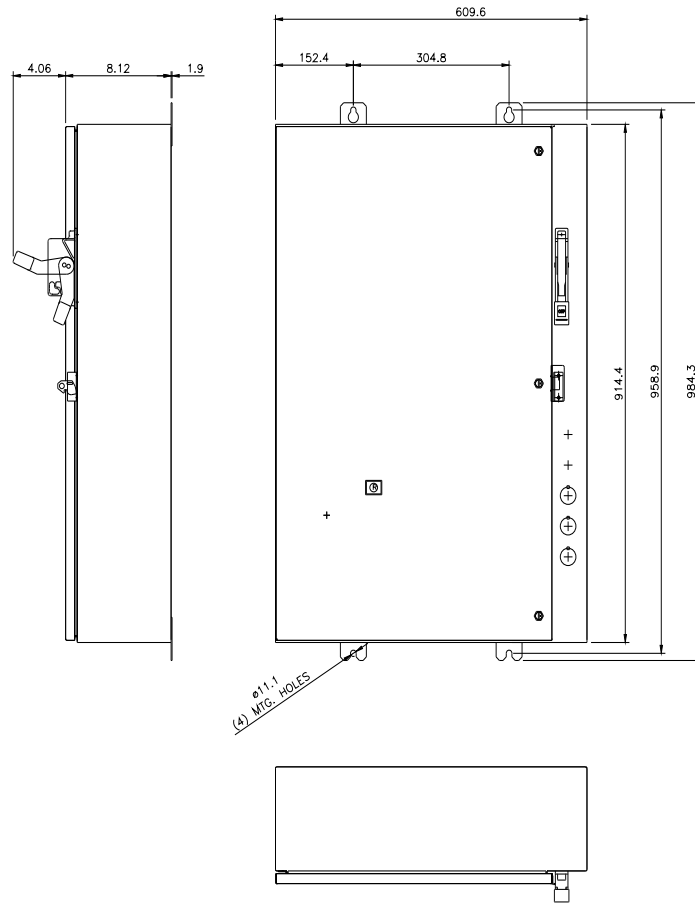
<https://support.industry.siemens.com/cs/US/en/ps/US2:17GUG82WL13>

**Image database (product images, 2D dimension drawings, 3D models, device circuit diagrams, EPLAN macros, ...)**

[http://www.automation.siemens.com/bilddb/cax\\_de.aspx?mlfb=US2:17GUG82WL13&lang=en](http://www.automation.siemens.com/bilddb/cax_de.aspx?mlfb=US2:17GUG82WL13&lang=en)

**Certificates/approvals**

<https://support.industry.siemens.com/cs/US/en/ps/US2:17GUG82WL13/certificate>



D68782001

last modified:

1/25/2022