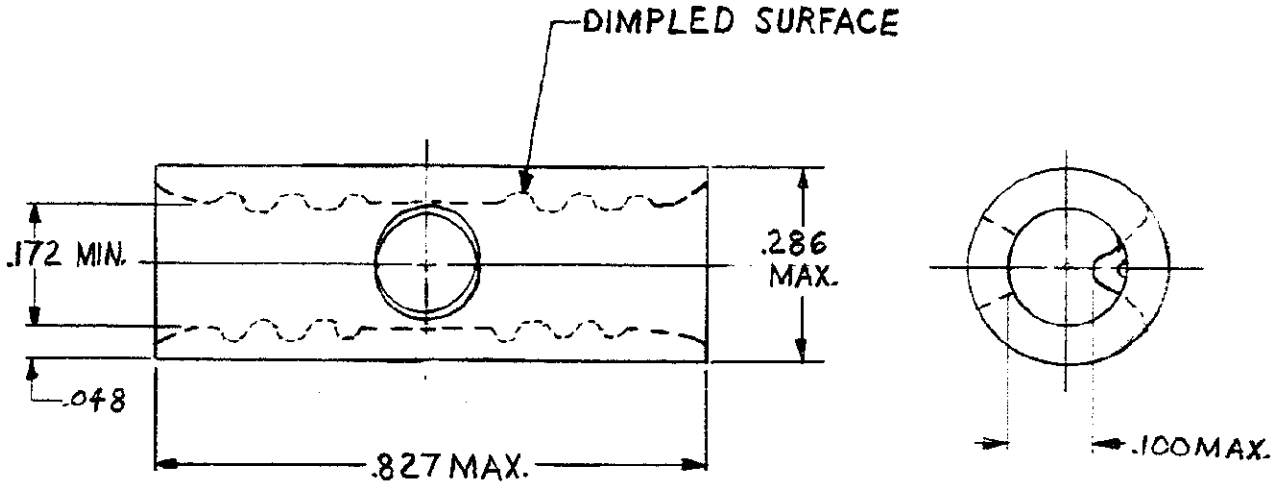


NUMBER  
328605



PART NO.	FINISH
328605	GOLD PLATED
<del>2328605-1</del>	<del>HIGH TEMP GOLD PLATED</del>

MAX FEATURE LENGTH DOES NOT INCLUDE MANUFACTURING TABS.

DIMENSIONS IN INCHES. DO NOT SCALE PRINT.

CUSTOMER COPY  
REFERENCE ONLY

MATERIAL AND FINISH

COPPER  
ANNEALED

**TE**

TE Connectivity

CLASS BUTT

WIRE RANGE 8 INSULATION H

TYPE SOLISTRAND

TOLERANCE EXCEPT AS NOTED ± .015 ± 1° 0'

SCALE 1/1

LOC G A NO 328605

REV D1

NAME

WIRE SPLICE

DI	REVISED PER ECO-16-010674	08AUG2016	NK	DR
REV	DESCRIPTION	DATE	CHK	APVD
DR	<i>T. Bentley 4-5-62</i>	DE		
CHK		APP		

PRINT/DRAWN  
14