

|   |  |       |
|---|--|-------|
| GlobTek, Inc.<br>www.globtek.com<br>186 Veterans Drive,<br>Northvale, NJ 07647<br>Tel. (201) 784-1000<br>Fax (201) 784-0111 | Drawing Title: GTM91120-1507.5-2.5-P2, ICT / ITE / Medical Power Supply, Efficiency Level: V, Case Color/Style: GlobTek Black, Potted/Encapsulated in plastic housing, Regulated Switchmode AC-DC Power Supply AC Adaptor, Input Rating: 100-240V~, 50-60 Hz, N. America NEMA 1-15 Fixed , Output Rating: 15W, 5.0V@3.0A, Output Configuration: 2000 mm, 18/1C + Shield Cond, UL 1185, USB Type-C Connector compliant with Directive (EU) 2022/2380 and 2014/53/EU Radio Equipment Directive (RED), Ferrite: None, GlobTek Black, GT Cord # C61322, Pin Out: +V: A4, A9, B4, B9, GND: A1, A12, B1, B12, CC1: A5, 10K to +V D+:A6, D-:A7, Blades/Input Cord: North American: 2 Conductor Nema 1-15P (non-polarized) Plug, SPT-2, 18/2, L=3600±25mm, Black, UL/CSA, with enclosure strain relief, Approvals: Fuse 60335; Book 60601; CB 60601-1; CB 60950; CB EN/IEC 60335-1; CE; LPS 62368; CE; China RoHS; cRUus (up to 30V); cRUus; EAC; FCC; IEC 60335; IEC/EN60601-1; IEC/EN60950-1; IP68; Level V; LPS 60950; PSE; SIQ; ETL 62368; SIQ; Ukraine; VCCI; WEEE; ETL; CB60335; |       |
|   | Model No. GTM91120-1507.5-2.5-P2   |       |
|   | Part No./Ordering No. PR91A3000USBCIMRVB   | Rev A |

In Addition to GlobTek Inc.'s renewed ISO9001:2015 - Quality Management System Certification, GlobTek Inc. is now certified to:

ISO13485:2016 - Medical Devices Quality Management System Certification

ISO14001:2015 - Environmental Management System Certification

ISO Certificates are available online at <https://www.globtek.com/iso-certificates/>

The acceptance of this specification and use of the product described in this document indicates the acceptance and binding of the customer to Globtek TERMS AND CONDITIONS (attached to the end of this document), which supersede all other agreements, terms, and conditions (<https://en.globtek.com/terms-and-conditions/>).

The purchaser of this product (Customer) agrees that it is their sole responsibility to determine suitability/fitness of the product described in this specification for their application and to take precautions for protection against any hazards attendant to the handling and use of the product.

Footnote:

GlobTek Inc. will not be liable for the safety and performance of these power supplies/battery packs if unauthorized access and repair occurs. End user should consult applicable UL, CSA or EN standards for proper installation instruction.

Limitation of Use:

GlobTek products are intended for use with commercial, medical, and/or industrial equipment only. GlobTek product are not authorized for use as mission critical components in life support hazardous environment, nuclear or aircraft applications without prior written approval from the CEO of GlobTek Inc.

Contents of this document are subject to change without prior notice.

### Customer Approval of Specification:

Please approve, sign and send back to GlobTek so we can complete order processing.

A delay in receipt of this form will delay delivery schedule.

|                                       |  |
|---------------------------------------|--|
| Company Name: _____                   | Customer P/N: _____                        |
| Quote Number: _____                   | Date: _____                                |
| Authorized Representative Name: _____ | Authorized Representative Signature: _____ |

|   |  |       |
|---|--|-------|
| GlobTek, Inc.<br>www.globtek.com<br>186 Veterans Drive,<br>Northvale, NJ 07647<br>Tel. (201) 784-1000<br>Fax (201) 784-0111 | Drawing Title: GTM91120-1507.5-2.5-P2, ICT / ITE / Medical Power Supply, Efficiency Level: V, Case Color/Style: GlobTek Black, Potted/Encapsulated in plastic housing, Regulated Switchmode AC-DC Power Supply AC Adaptor, Input Rating: 100-240V~, 50-60 Hz, N. America NEMA 1-15 Fixed , Output Rating: 15W, 5.0V@3.0A, Output Configuration: 2000 mm, 18/1C + Shield Cond, UL 1185, USB Type-C Connector compliant with Directive (EU) 2022/2380 and 2014/53/EU Radio Equipment Directive (RED), Ferrite: None, GlobTek Black, GT Cord # C61322, Pin Out: +V: A4, A9, B4, B9, GND: A1, A12, B1, B12, CC1: A5, 10K to +V D+:A6, D-:A7, Blades/Input Cord: North American: 2 Conductor Nema 1-15P (non-polarized) Plug, SPT-2, 18/2, L=3600±25mm, Black, UL/CSA, with enclosure strain relief, Approvals: Fuse 60335; Book 60601; CB 60601-1; CB 60950; CB EN/IEC 60335-1; CE; LPS 62368; CE; China RoHS; cRUus (up to 30V); cRUus; EAC; FCC; IEC 60335; IEC/EN60601-1; IEC/EN60950-1; IP68; Level V; LPS 60950; PSE; SIQ; ETL 62368; SIQ; Ukraine; VCCI; WEEE; ETL; CB60335; |       |
|   | Model No. GTM91120-1507.5-2.5-P2   |       |
|   | Part No./Ordering No. PR91A3000USBCIMRVB   | Rev A |

## REVISION HISTORY

| REV | DESCRIPTION     | SUB | DATE       | APPROVED |
|-----|-----------------|-----|------------|----------|
| A   | Initial release | QA  | 10/07/2021 | QA       |

### POWER SUPPLY INFORMATION

|                                |  |
|--------------------------------|--|
| TYPE                           | Potted/Encapsulated in plastic housing   |
| TECHNOLOGY                     | Regulated Switchmode AC-DC Power Supply AC Adaptor   |
| CASE COLOR                     | GlobTek Black  |
| NAMEPLATE RATED INPUT          | 100-240V~, 50-60 Hz, 1.5A  |
| INPUT CONFIG                   | N. America NEMA 1-15 Fixed   |
| WATTS                          | 15.00  |
| VOLTS OUT                      | 5.0  |
| CURRENT OUT (Amps)             | 3.0  |
| BLADE/CORD INCLUDED            | FC-NA2-3600 North American: 2 Conductor Nema 1-15P (non-polarized) Plug, SPT-2, 18/2, L=3600±25mm, Black, UL/CSA, with enclosure strain relief   |
| INGRESS PROTECTION             | IP68   |
| GROUNDING CONFIGURATION        | (F1) Class II / Double Insulated   |
| EFFICIENCY LEVEL               | V  |
| OUTPUT CONFIGURATION           | 2000 mm, 18/1C + Shield Cond, UL 1185, USB Type-C Connector compliant with Directive (EU) 2022/2380 and 2014/53/EU Radio Equipment Directive (RED), Ferrite: None, GlobTek Black, GT Cord # C61322 |
| OVERMOLDED                     | Yes  |
| OUTPUT CONNECTOR GENDER        | not applicable   |
| CONNECTOR PIN OUT              | +V: A4, A9, B4, B9, GND: A1, A12, B1, B12, CC1: A5, 10K to +V D+:A6, D-:A7   |
| LABEL SPECS                    | ISO 15223 medical device compliant label,L-1470  |
| SPECIAL BARCODE LABEL MATERIAL | No   |
| PACK SPEC                      | Standard GTM91120, Individually Box  |
| USER MANUAL                    |  |

**PROPRIETARY INFORMATION**

|   |  |       |
|---|--|-------|
| GlobTek, Inc.<br>www.globtek.com<br>186 Veterans Drive,<br>Northvale, NJ 07647<br>Tel. (201) 784-1000<br>Fax (201) 784-0111 | Drawing Title: GTM91120-1507.5-2.5-P2, ICT / ITE / Medical Power Supply, Efficiency Level: V, Case Color/Style: GlobTek Black, Potted/Encapsulated in plastic housing, Regulated Switchmode AC-DC Power Supply AC Adaptor, Input Rating: 100-240V~, 50-60 Hz, N. America NEMA 1-15 Fixed , Output Rating: 15W, 5.0V@3.0A, Output Configuration: 2000 mm, 18/1C + Shield Cond, UL 1185, USB Type-C Connector compliant with Directive (EU) 2022/2380 and 2014/53/EU Radio Equipment Directive (RED), Ferrite: None, GlobTek Black, GT Cord # C61322, Pin Out: +V: A4, A9, B4, B9, GND: A1, A12, B1, B12, CC1: A5, 10K to +V D+:A6, D-:A7, Blades/Input Cord: North American: 2 Conductor Nema 1-15P (non-polarized) Plug, SPT-2, 18/2, L=3600±25mm, Black, UL/CSA, with enclosure strain relief, Approvals: Fuse 60335; Book 60601; CB 60601-1; CB 60950; CB EN/IEC 60335-1; CE; LPS 62368; CE; China RoHS; cRUus (up to 30V); cRUus; EAC; FCC; IEC 60335; IEC/EN60601-1; IEC/EN60950-1; IP68; Level V; LPS 60950; PSE; SIQ; ETL 62368; SIQ; Ukraine; VCCI; WEEE; ETL; CB60335; |       |
|   | Model No. GTM91120-1507.5-2.5-P2   |       |
|   | Part No./Ordering No. PR91A3000USBCIMRVB   | Rev A |

Notes/Modifications/Customizations (notes in this section supersede the values shown in the standard spec)

DIMENSIONS ARE IN MM UNLESS SPECIFIED OTHERWISE

|   |  |       |
|---|--|-------|
| GlobTek, Inc.<br>www.globtek.com<br>186 Veterans Drive,<br>Northvale, NJ 07647<br>Tel. (201) 784-1000<br>Fax (201) 784-0111 | Drawing Title: GTM91120-1507.5-2.5-P2, ICT / ITE / Medical Power Supply, Efficiency Level: V, Case Color/Style: GlobTek Black, Potted/Encapsulated in plastic housing, Regulated Switchmode AC-DC Power Supply AC Adaptor, Input Rating: 100-240V~, 50-60 Hz, N. America NEMA 1-15 Fixed , Output Rating: 15W, 5.0V@3.0A, Output Configuration: 2000 mm, 18/1C + Shield Cond, UL 1185, USB Type-C Connector compliant with Directive (EU) 2022/2380 and 2014/53/EU Radio Equipment Directive (RED), Ferrite: None, GlobTek Black, GT Cord # C61322, Pin Out: +V: A4, A9, B4, B9, GND: A1, A12, B1, B12, CC1: A5, 10K to +V D+:A6, D-:A7, Blades/Input Cord: North American: 2 Conductor Nema 1-15P (non-polarized) Plug, SPT-2, 18/2, L=3600±25mm, Black, UL/CSA, with enclosure strain relief, Approvals: Fuse 60335; Book 60601; CB 60601-1; CB 60950; CB EN/IEC 60335-1; CE; LPS 62368; CE; China RoHS; cRUus (up to 30V); cRUus; EAC; FCC; IEC 60335; IEC/EN60601-1; IEC/EN60950-1; IP68; Level V; LPS 60950; PSE; SIQ; ETL 62368; SIQ; Ukraine; VCCI; WEEE; ETL; CB60335; |       |
|   | Model No. GTM91120-1507.5-2.5-P2   |       |
|   | Part No./Ordering No. PR91A3000USBCIMRVB   | Rev A |

## ELECTRICAL SPECIFICATIONS

### A) ELECTRICAL SPECIFICATIONS:

1. Input Voltage: Specified 90-264 Vac, Nameplate rated: 100-240Vac
2. Input Frequency: Specified 47-63 Hz, Nameplate rated 50-60Hz
3. Output Regulation: 8%- 5% measured at the output connector
4. Line Voltage Regulation: +/- 2% typical measured at full load
5. Output Ripple (Vp-p): +/-2% maximum, measured at 20 MHz bandwidth with 0.1 uf ceramic capacitor in parallel with 10 uf electrolytic capacitor connected at the end of the output connector at nominal line  
Optional low ripple option available (RFP4579)
6. Turn-ON/OFF Overshoot: 5% maximum, 500uS typical recovery time for 25% to 50% step load
7. Turn-ON Delay: 3 Seconds, maximum @ full load, nominal line
08. Hold-Up Time: 5mS typical @ nominal input voltage and full load
09. Inrush Current: 60A maximum cold start @ 240Vac input
10. Switching Frequency: 100 KHz typical

### B) PROTECTION

1. Over-Voltage: Protected with a Zener diode clamp across the output
2. Short Circuit: Hiccup with auto recovery
3. Over-load: Hiccup with auto recovery
4. Input Protection: Input line and neutral fusing

### C) SAFETY

1. Dielectric Withstand Voltage: 5656Vdc from primary to secondary
2. Earth Leakage Current: N/A for Class II units, there is no PE Ground pin, so Earth Leakage current is not measured
3. Touch Current: Maximum allowed values: 100uA NC(Normal condition) 500uA SFC(single fault condition)

### D) OTHER:

1. MTBF: 200,000 Hours @ 25°C ambient temperature
2. Operating Temperature: -10°C to 40°C ambient temperature (RFP RFI-50576)
3. Humidity: 0% to 90% relative humidity
4. Storage Temperature: -10°C to 80°C
5. Cooling: Convection
6. ROHS 2: Complies with EU 2011/65/EU and China SJ/T 11363-2006
7. For EMI suppression 28A026-0A2 Snap-on Ferrites are recommended on both input and output cables, if required.

### E) ENCLOSURE

1. Housing: High impact plastic, 94V0 polycarbonate, non-vented
2. Size: 97.23 x 46.23 x 32.0 +/- 1.0 mm
3. Markings: Label and/or Pad Printed and/or Molded in the case
4. Ingress Protection: IP68, Dust Tight, No ingress of dust, complete protection against contact as well as Protected against liquid Immersion beyond 1 m

## PROPRIETARY INFORMATION

PROPRIETARY OF GLOBTEK, INC. ANY REPRODUCTION, DISCLOSURE OR USE OF THIS DRAWING, IN WHOLE OR IN PART, IS HEREBY PROHIBITED EXCEPT AS SPECIFIED IN WRITING BY GLOBTEK, INC. © GlobTek, Inc. 2021 - 2023

|   |  |       |
|---|--|-------|
| GlobTek, Inc.<br>www.globtek.com<br>186 Veterans Drive,<br>Northvale, NJ 07647<br>Tel. (201) 784-1000<br>Fax (201) 784-0111 | Drawing Title: GTM91120-1507.5-2.5-P2, ICT / ITE / Medical Power Supply, Efficiency Level: V, Case Color/Style: GlobTek Black, Potted/Encapsulated in plastic housing, Regulated Switchmode AC-DC Power Supply AC Adaptor, Input Rating: 100-240V~, 50-60 Hz, N. America NEMA 1-15 Fixed , Output Rating: 15W, 5.0V@3.0A, Output Configuration: 2000 mm, 18/1C + Shield Cond, UL 1185, USB Type-C Connector compliant with Directive (EU) 2022/2380 and 2014/53/EU Radio Equipment Directive (RED), Ferrite: None, GlobTek Black, GT Cord # C61322, Pin Out: +V: A4, A9, B4, B9, GND: A1, A12, B1, B12, CC1: A5, 10K to +V D+:A6, D-:A7, Blades/Input Cord: North American: 2 Conductor Nema 1-15P (non-polarized) Plug, SPT-2, 18/2, L=3600±25mm, Black, UL/CSA, with enclosure strain relief, Approvals: Fuse 60335; Book 60601; CB 60601-1; CB 60950; CB EN/IEC 60335-1; CE; LPS 62368; CE; China RoHS; cRUus (up to 30V); cRUus; EAC; FCC; IEC 60335; IEC/EN60601-1; IEC/EN60950-1; IP68; Level V; LPS 60950; PSE; SIQ; ETL 62368; SIQ; Ukraine; VCCI; WEEE; ETL; CB60335; |       |
|   | Model No. GTM91120-1507.5-2.5-P2   |       |
|   | Part No./Ordering No. PR91A3000USBCIMRVB   | Rev A |

TO ADDRESS SYSTEM-LEVEL EMI CONCERNS, FERRITE CHOKES/BEADS MAY BE ADDED/REVISED UPON REQUEST. A SAMPLE KIT OF GLOBTEK'S STANDARD FERRITES IS AVAILABLE UNDER GLOBTEK P/N: EMI-MITIGATION-KIT1

FOR ADDITIONAL INFORMATION, PLEASE READ OUR WHITE PAPER AT:

<https://en.globtek.com/technical-articles/ferrite-kit-radiated-emi-suppression-kit-for-globtek-power-supplies-cable-assemblies>

INGRESS PROTECTION: IP68

GlobTek, Inc.  
 www.globtek.com  
 186 Veterans Drive,  
 Northvale, NJ 07647  
 Tel. (201) 784-1000  
 Fax (201) 784-0111

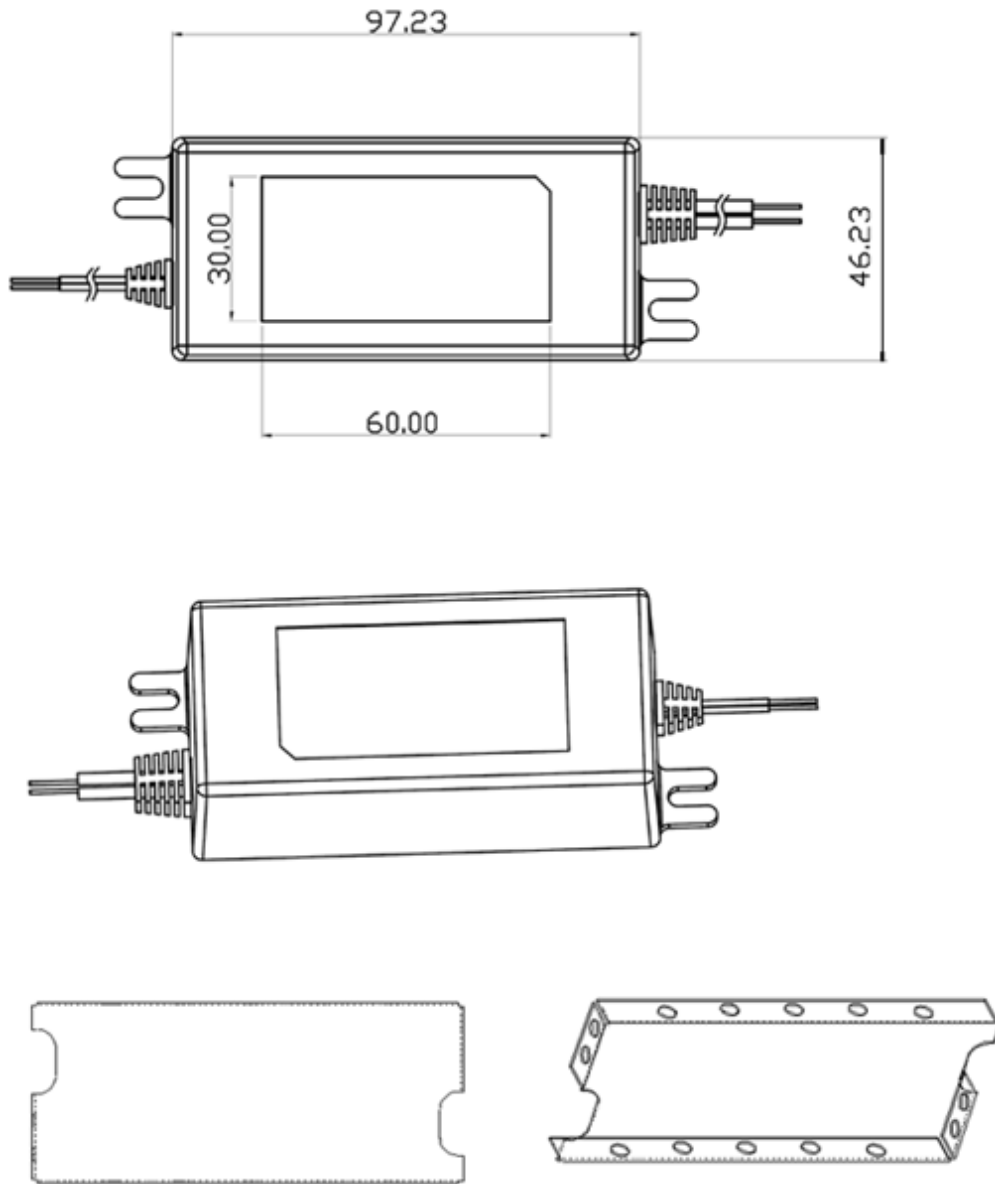
Drawing Title: GTM91120-1507.5-2.5-P2, ICT / ITE / Medical Power Supply, Efficiency Level: V, Case Color/Style: GlobTek Black, Potted/Encapsulated in plastic housing, Regulated Switchmode AC-DC Power Supply AC Adaptor, Input Rating: 100-240V~, 50-60 Hz, N. America NEMA 1-15 Fixed , Output Rating: 15W, 5.0V@3.0A, Output Configuration: 2000 mm, 18/1C + Shield Cond, UL 1185, USB Type-C Connector compliant with Directive (EU) 2022/2380 and 2014/53/EU Radio Equipment Directive (RED), Ferrite: None, GlobTek Black, GT Cord # C61322, Pin Out: +V: A4, A9, B4, B9, GND: A1, A12, B1, B12, CC1: A5, 10K to +V D+:A6, D-:A7, Blades/Input Cord: North American: 2 Conductor Nema 1-15P (non-polarized) Plug, SPT-2, 18/2, L=3600±25mm, Black, UL/CSA, with enclosure strain relief, Approvals: Fuse 60335; Book 60601; CB 60601-1; CB 60950; CB EN/IEC 60335-1; CE; LPS 62368; CE; China RoHS; cRUus (up to 30V); cRUus; EAC; FCC; IEC 60335; IEC/EN60601-1; IEC/EN60950-1; IP68; Level V; LPS 60950; PSE; SIQ; ETL 62368; SIQ; Ukraine; VCCI; WEEE; ETL; CB60335;

Model No. GTM91120-1507.5-2.5-P2

Part No./Ordering No. PR91A3000USBCIMRVB

Rev A

Mechanical drawing

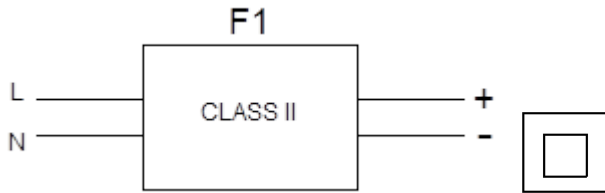


MYLAR CASE COVER INSTALLED

|   |   |              |
|---|---|--------------|
| <p>GlobTek, Inc.<br/>www.globtek.com<br/>186 Veterans Drive,<br/>Northvale, NJ 07647<br/>Tel. (201) 784-1000<br/>Fax (201) 784-0111</p> | <p>Drawing Title: GTM91120-1507.5-2.5-P2, ICT / ITE / Medical Power Supply, Efficiency Level: V, Case Color/Style: GlobTek Black, Potted/Encapsulated in plastic housing, Regulated Switchmode AC-DC Power Supply AC Adaptor, Input Rating: 100-240V~, 50-60 Hz, N. America NEMA 1-15 Fixed , Output Rating: 15W, 5.0V@3.0A, Output Configuration: 2000 mm, 18/1C + Shield Cond, UL 1185, USB Type-C Connector compliant with Directive (EU) 2022/2380 and 2014/53/EU Radio Equipment Directive (RED), Ferrite: None, GlobTek Black, GT Cord # C61322, Pin Out: +V: A4, A9, B4, B9, GND: A1, A12, B1, B12, CC1: A5, 10K to +V D+:A6, D-:A7, Blades/Input Cord: North American: 2 Conductor Nema 1-15P (non-polarized) Plug, SPT-2, 18/2, L=3600±25mm, Black, UL/CSA, with enclosure strain relief, Approvals: Fuse 60335; Book 60601; CB 60601-1; CB 60950; CB EN/IEC 60335-1; CE; LPS 62368; CE; China RoHS; cRUus (up to 30V); cRUus; EAC; FCC; IEC 60335; IEC/EN60601-1; IEC/EN60950-1; IP68; Level V; LPS 60950; PSE; SIQ; ETL 62368; SIQ; Ukraine; VCCI; WEEE; ETL; CB60335;</p> |              |
|   | <p>Model No. GTM91120-1507.5-2.5-P2</p>   |              |
|   | <p>Part No./Ordering No. PR91A3000USBCIMRVB</p>   | <p>Rev A</p> |

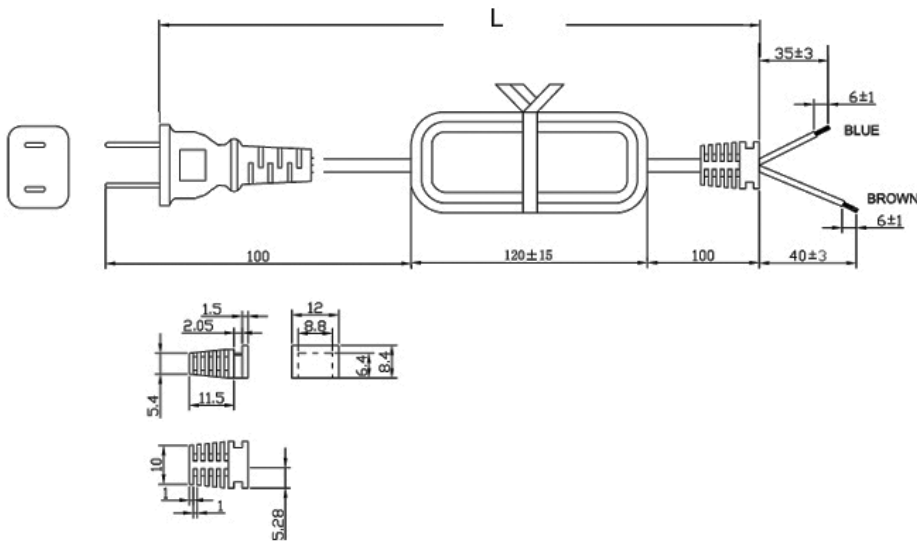
**INPUT CONFIGURATION**

(F1) Class II / Double Insulated



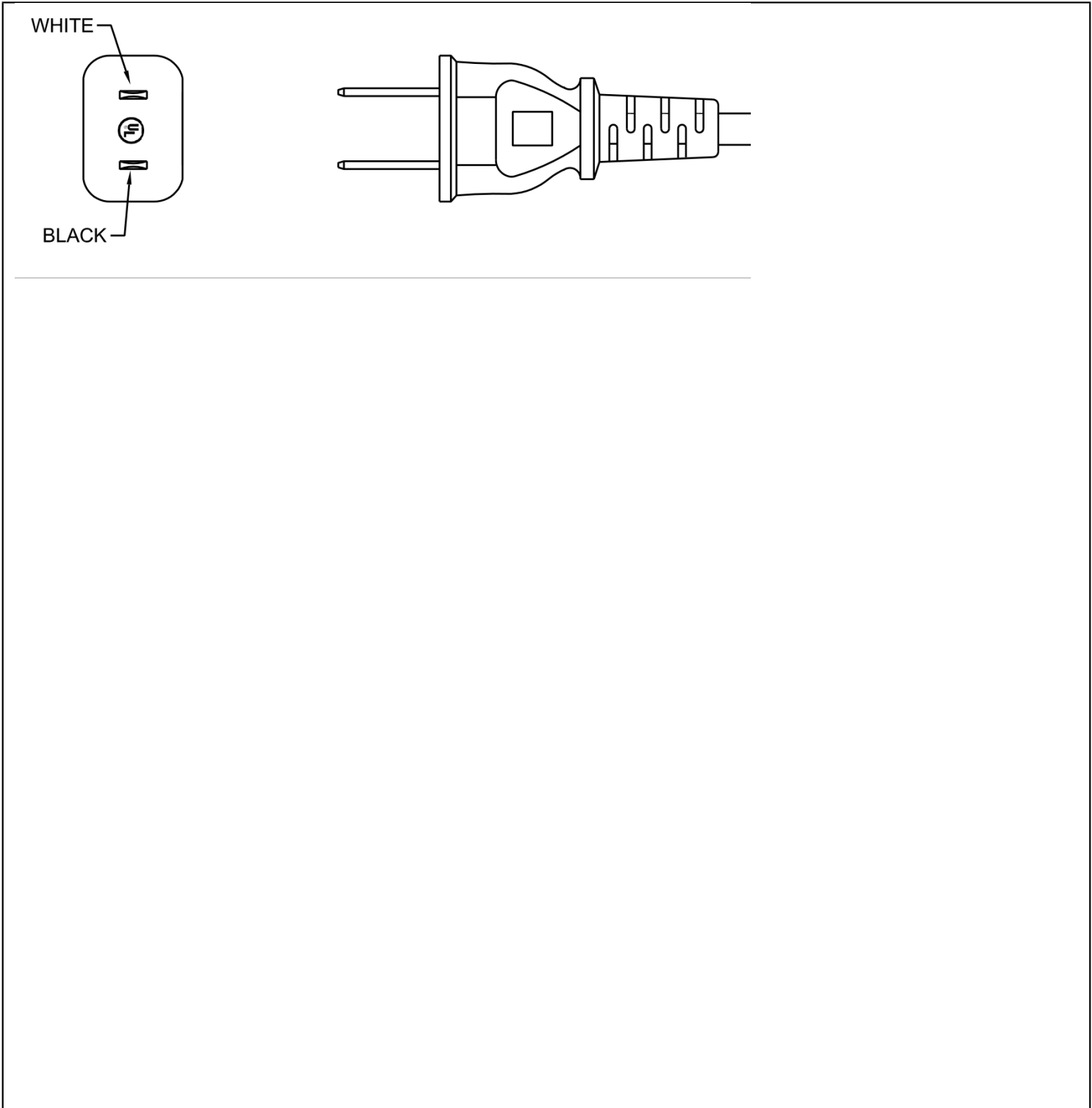
[Alternate grounding configurations](#) available upon request.

Blades/Cord Included:FC-NA2-3600:North American: 2 Conductor Nema 1-15P (non-polarized) Plug, SPT-2, 18/2, L=3600±25mm, Black, UL/CSA, with enclosure strain relief



North America Blades Class II, (2) Conductors

|  |   |              |
|--|---|--------------|
| <p>GlobTek, Inc.<br/> www.globtek.com<br/> 186 Veterans Drive,<br/> Northvale, NJ 07647<br/> Tel. (201) 784-1000<br/> Fax (201) 784-0111</p> | <p>Drawing Title: GTM91120-1507.5-2.5-P2, ICT / ITE / Medical Power Supply, Efficiency Level: V, Case Color/Style: GlobTek Black, Potted/Encapsulated in plastic housing, Regulated Switchmode AC-DC Power Supply AC Adaptor, Input Rating: 100-240V~, 50-60 Hz, N. America NEMA 1-15 Fixed , Output Rating: 15W, 5.0V@3.0A, Output Configuration: 2000 mm, 18/1C + Shield Cond, UL 1185, USB Type-C Connector compliant with Directive (EU) 2022/2380 and 2014/53/EU Radio Equipment Directive (RED), Ferrite: None, GlobTek Black, GT Cord # C61322, Pin Out: +V: A4, A9, B4, B9, GND: A1, A12, B1, B12, CC1: A5, 10K to +V D+:A6, D-:A7, Blades/Input Cord: North American: 2 Conductor Nema 1-15P (non-polarized) Plug, SPT-2, 18/2, L=3600±25mm, Black, UL/CSA, with enclosure strain relief, Approvals: Fuse 60335; Book 60601; CB 60601-1; CB 60950; CB EN/IEC 60335-1; CE; LPS 62368; CE; China RoHS; cRUus (up to 30V); cRUus; EAC; FCC; IEC 60335; IEC/EN60601-1; IEC/EN60950-1; IP68; Level V; LPS 60950; PSE; SIQ; ETL 62368; SIQ; Ukraine; VCCI; WEEE; ETL; CB60335;</p> |              |
|  | <p>Model No. GTM91120-1507.5-2.5-P2</p>   |              |
|  | <p>Part No./Ordering No. PR91A3000USBCIMRVB</p>   | <p>Rev A</p> |





|   |   |       |
|---|---|-------|
| GlobTek, Inc.<br>www.globtek.com<br>186 Veterans Drive,<br>Northvale, NJ 07647<br>Tel. (201) 784-1000<br>Fax (201) 784-0111 | Drawing Title: GTM91120-1507.5-2.5-P2, ICT / ITE / Medical Power Supply, Efficiency Level: V, Case Color/Style: GlobTek Black, Potted/Encapsulated in plastic housing, Regulated Switchmode AC-DC Power Supply AC Adaptor, Input Rating: 100-240V~, 50-60 Hz, N. America NEMA 1-15 Fixed, Output Rating: 15W, 5.0V@3.0A, Output Configuration: 2000 mm, 18/1C + Shield Cond, UL 1185, USB Type-C Connector compliant with Directive (EU) 2022/2380 and 2014/53/EU Radio Equipment Directive (RED), Ferrite: None, GlobTek Black, GT Cord # C61322, Pin Out: +V: A4, A9, B4, B9, GND: A1, A12, B1, B12, CC1: A5, 10K to +V D+:A6, D-:A7, Blades/Input Cord: North American: 2 Conductor Nema 1-15P (non-polarized) Plug, SPT-2, 18/2, L=3600±25mm, Black, UL/CSA, with enclosure strain relief, Approvals: Fuse 60335; Book 60601; CB 60601-1; CB 60950; CB EN/IEC 60335-1; CE; LPS 62368; CE; China RoHS; cRUus (up to 30V); cRUus; EAC; FCC; IEC 60335; IEC/EN60601-1; IEC/EN60950-1; IP68; Level V; LPS 60950; PSE; SIQ; ETL 62368; SIQ; Ukraine; VCCI; WEEE; ETL; CB60335; |       |
|   | Model No. GTM91120-1507.5-2.5-P2  |       |
|   | Part No./Ordering No. PR91A3000USBCIMRVB  | Rev A |

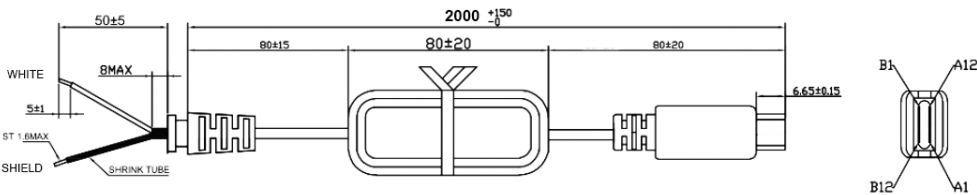
**OUTPUT CORD AND CONNECTOR: USBC31/C61322**

ACTUAL CONNECTORS, OVERMOLDS, FERRITES MAY VARY SLIGHTLY FROM THE PICTURE BELOW

|  |   |
|--|---|
| CABLE TYPE   | UL 1185   |
| CABLE LENGTH (mm)                                    | 2000  |
| CABLE TOLERANCE (mm)                                 | +150-0  |
| WIRE GAUGE (AWG)                                     | 18  |
| CONDUCTORS   | 1C + Shield   |
| HANK DIMENSION (mm)                                  | 80 ± 20   |
| CABLE / CONNECTOR OVERMOLD COLOR                     | GlobTek Black   |
| FERRITE TYPE AND DIMENSION                           | None  |
| FERRITE NUMBER OF TURNS <a href="#">(Definition)</a> | N/A   |
| FERRITE DIMENSION FROM STRAIN RELIEF                 | N/A   |
| FERRITE DIMENSION FROM PLUG                          | N/A   |
| PLUG TYPE  | USB Type-C Connector compliant with Directive (EU) 2022/2380 and 2014/53/EU Radio Equipment Directive (RED) |
| OUTPUT CONNECTOR GENDER                              | not applicable  |
| OVERMOLDED   | Yes   |
| OVER MOLD ORIENTATION                                | Straight  |
| CONNECTOR PIN OUT                                    | +V: A4, A9, B4, B9,<br>GND: A1, A12, B1, B12,<br>CC1: A5, 10K to +V<br>D+:A6,<br>D-:A7                      |



Connector Includes 1/8W, 10K ID resistor connected from pin A5 to +V



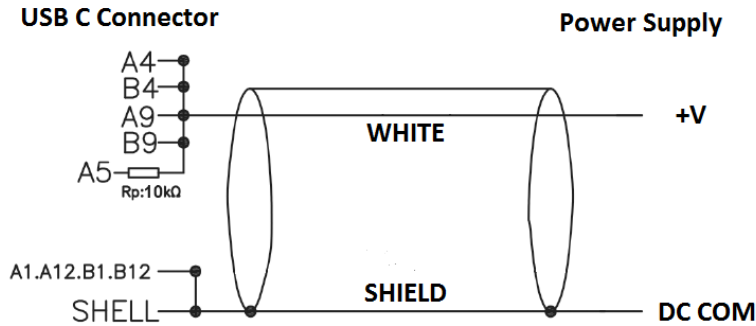
A1,A12,B1,B12+Shell: "-" Shield  
 A4,A9,B4,B9: "+V" White 并联A5 1/8W 10kΩ 电阻

A2, A3, A8, A10, A11: N/C  
 B2, B3, B5, B6, B7, B8, B10, B11: N/C  
 A6, A7: Data signals shorted

**PROPRIETARY INFORMATION**

PROPRIETARY OF GLOBTEK, INC. ANY REPRODUCTION, DISCLOSURE OR USE OF THIS DRAWING, IN WHOLE OR IN PART, IS HEREBY PROHIBITED EXCEPT AS SPECIFIED IN WRITING BY GLOBTEK, INC. © GlobTek, Inc. 2021 - 2023

|   |   |              |
|---|---|--------------|
| <p>GlobTek, Inc.<br/>www.globtek.com<br/>186 Veterans Drive,<br/>Northvale, NJ 07647<br/>Tel. (201) 784-1000<br/>Fax (201) 784-0111</p> | <p>Drawing Title: GTM91120-1507.5-2.5-P2, ICT / ITE / Medical Power Supply, Efficiency Level: V, Case Color/Style: GlobTek Black, Potted/Encapsulated in plastic housing, Regulated Switchmode AC-DC Power Supply AC Adaptor, Input Rating: 100-240V~, 50-60 Hz, N. America NEMA 1-15 Fixed , Output Rating: 15W, 5.0V@3.0A, Output Configuration: 2000 mm, 18/1C + Shield Cond, UL 1185, USB Type-C Connector compliant with Directive (EU) 2022/2380 and 2014/53/EU Radio Equipment Directive (RED), Ferrite: None, GlobTek Black, GT Cord # C61322, Pin Out: +V: A4, A9, B4, B9, GND: A1, A12, B1, B12, CC1: A5, 10K to +V D+:A6, D-:A7, Blades/Input Cord: North American: 2 Conductor Nema 1-15P (non-polarized) Plug, SPT-2, 18/2, L=3600±25mm, Black, UL/CSA, with enclosure strain relief, Approvals: Fuse 60335; Book 60601; CB 60601-1; CB 60950; CB EN/IEC 60335-1; CE; LPS 62368; CE; China RoHS; cRUus (up to 30V); cRUus; EAC; FCC; IEC 60335; IEC/EN60601-1; IEC/EN60950-1; IP68; Level V; LPS 60950; PSE; SIQ; ETL 62368; SIQ; Ukraine; VCCI; WEEE; ETL; CB60335;</p> |              |
|   | <p>Model No. GTM91120-1507.5-2.5-P2</p>   |              |
|   | <p>Part No./Ordering No. PR91A3000USBCIMRVB</p>   | <p>Rev A</p> |



ADDITIONAL OUTPUT PLUG OPTIONS ARE AVAILABLE AT <https://www.globtek.com/connectors/>  
STANDARD PLUGS AND CONNECTORS CAN BE SEEN ONLINE AT <https://www.globtek.com/connectors/>  
CALCULATE VOLTAGE REGULATION/DROP WITH OUR ONLINE CALCULATOR: <https://en.globtek.com/output-cable-regulation-calculator/>

|   |  |       |
|---|--|-------|
| GlobTek, Inc.<br>www.globtek.com<br>186 Veterans Drive,<br>Northvale, NJ 07647<br>Tel. (201) 784-1000<br>Fax (201) 784-0111 | Drawing Title: GTM91120-1507.5-2.5-P2, ICT / ITE / Medical Power Supply, Efficiency Level: V, Case Color/Style: GlobTek Black, Potted/Encapsulated in plastic housing, Regulated Switchmode AC-DC Power Supply AC Adaptor, Input Rating: 100-240V~, 50-60 Hz, N. America NEMA 1-15 Fixed , Output Rating: 15W, 5.0V@3.0A, Output Configuration: 2000 mm, 18/1C + Shield Cond, UL 1185, USB Type-C Connector compliant with Directive (EU) 2022/2380 and 2014/53/EU Radio Equipment Directive (RED), Ferrite: None, GlobTek Black, GT Cord # C61322, Pin Out: +V: A4, A9, B4, B9, GND: A1, A12, B1, B12, CC1: A5, 10K to +V D+:A6, D-:A7, Blades/Input Cord: North American: 2 Conductor Nema 1-15P (non-polarized) Plug, SPT-2, 18/2, L=3600±25mm, Black, UL/CSA, with enclosure strain relief, Approvals: Fuse 60335; Book 60601; CB 60601-1; CB 60950; CB EN/IEC 60335-1; CE; LPS 62368; CE; China RoHS; cRUus (up to 30V); cRUus; EAC; FCC; IEC 60335; IEC/EN60601-1; IEC/EN60950-1; IP68; Level V; LPS 60950; PSE; SIQ; ETL 62368; SIQ; Ukraine; VCCI; WEEE; ETL; CB60335; |       |
|   | Model No. GTM91120-1507.5-2.5-P2   |       |
|   | Part No./Ordering No. PR91A3000USBCIMRVB   | Rev A |

**OUTPUT CONNECTOR HOOK UP**

TO ADDRESS SYSTEM-LEVEL EMI CONCERNS, FERRITE CHOKES/BEADS MAY BE ADDED/REVISED UPON REQUEST. A SAMPLE KIT OF GLOBTEK'S STANDARD FERRITES IS AVAILABLE UNDER GLOBTEK P/N: EMI-MITIGATION-KIT1

FOR ADDITIONAL INFORMATION, PLEASE READ OUR WHITE PAPER AT:

<https://en.globtek.com/technical-articles/ferrite-kit-radiated-emi-suppression-kit-for-globtek-power-supplies-cable-assemblies>

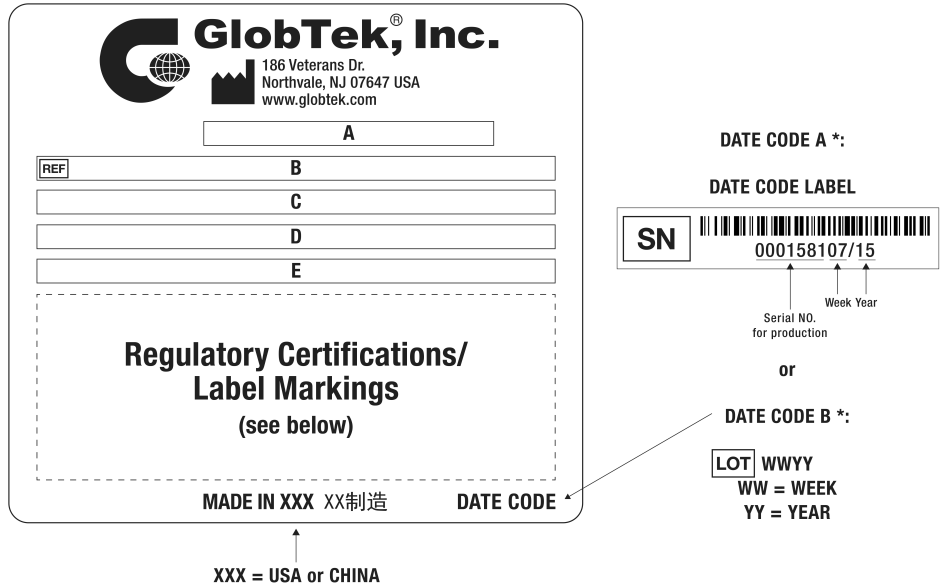
|   |   |       |
|---|---|-------|
| GlobTek, Inc.<br>www.globtek.com<br>186 Veterans Drive,<br>Northvale, NJ 07647<br>Tel. (201) 784-1000<br>Fax (201) 784-0111 | Drawing Title: GTM91120-1507.5-2.5-P2, ICT / ITE / Medical Power Supply, Efficiency Level: V, Case Color/Style: GlobTek Black, Potted/Encapsulated in plastic housing, Regulated Switchmode AC-DC Power Supply AC Adaptor, Input Rating: 100-240V~, 50-60 Hz, N. America NEMA 1-15 Fixed, Output Rating: 15W, 5.0V@3.0A, Output Configuration: 2000 mm, 18/1C + Shield Cond, UL 1185, USB Type-C Connector compliant with Directive (EU) 2022/2380 and 2014/53/EU Radio Equipment Directive (RED), Ferrite: None, GlobTek Black, GT Cord # C61322, Pin Out: +V: A4, A9, B4, B9, GND: A1, A12, B1, B12, CC1: A5, 10K to +V D+:A6, D-:A7, Blades/Input Cord: North American: 2 Conductor Nema 1-15P (non-polarized) Plug, SPT-2, 18/2, L=3600±25mm, Black, UL/CSA, with enclosure strain relief, Approvals: Fuse 60335; Book 60601; CB 60601-1; CB 60950; CB EN/IEC 60335-1; CE; LPS 62368; CE; China RoHS; cRUus (up to 30V); cRUus; EAC; FCC; IEC 60335; IEC/EN60601-1; IEC/EN60950-1; IP68; Level V; LPS 60950; PSE; SIQ; ETL 62368; SIQ; Ukraine; VCCI; WEEE; ETL; CB60335; |       |
|   | Model No. GTM91120-1507.5-2.5-P2  |       |
|   | Part No./Ordering No. PR91A3000USBCIMRVB  | Rev A |

**LABEL:L-1470**

|                                |  |
|--------------------------------|--|
| LABEL P/N                      | ISO 15223 medical device compliant label   |
| MATERIAL                       | Flat Thermal Transfer, Imprintable, Polyester Label and/or Pad Printed and/or Molded, and/or Laser Engraved in the case                    |
| BACKGROUND COLOR               | Black if housing is Black, White or Silver if housing is White or Gray.  |
| TEXT COLOR                     | White or Silver if label is Black Background for Black housing. Black if label is White or Silver background and Housing is White or Gray. |
| LABEL WIDTH (mm)               | 59.5   |
| LABEL HEIGHT (mm)              | 29.5   |
| SPECIAL BARCODE LABEL MATERIAL | No   |

Below is the minimum information which will appear on the label. NOTE: in the logo area additional/actual positioning of symbols and text is subjected to change as per agency updates/requirements or additional model approvals become available.

Agency logos may be in Regulatory Certifications/Label Markings area on the label or molded into the case housing outside the label area. Information will be shown via Label and/or Pad Printed and/or Molded in the case.



- A=ICT / ITE / Medical Power Supply
- B=P/N: (料号) PR91A3000USBCIMRVB
- C=Model (型号) GTM91120-1507.5-2.5-P2
- D=Input (输入)100-240V~, 50-60 Hz, 1.5A
- E=Output (输出)5.0 V 3.0 A, 15.00W

|   |   |
|---|---|
| GlobTek, Inc.<br>www.globtek.com<br>186 Veterans Drive,<br>Northvale, NJ 07647<br>Tel. (201) 784-1000<br>Fax (201) 784-0111 | Drawing Title: GTM91120-1507.5-2.5-P2, ICT / ITE / Medical Power Supply, Efficiency Level: V, Case Color/Style: GlobTek Black, Potted/Encapsulated in plastic housing, Regulated Switchmode AC-DC Power Supply AC Adaptor, Input Rating: 100-240V~, 50-60 Hz, N. America NEMA 1-15 Fixed, Output Rating: 15W, 5.0V@3.0A, Output Configuration: 2000 mm, 18/1C + Shield Cond, UL 1185, USB Type-C Connector compliant with Directive (EU) 2022/2380 and 2014/53/EU Radio Equipment Directive (RED), Ferrite: None, GlobTek Black, GT Cord # C61322, Pin Out: +V: A4, A9, B4, B9, GND: A1, A12, B1, B12, CC1: A5, 10K to +V D+:A6, D-:A7, Blades/Input Cord: North American: 2 Conductor Nema 1-15P (non-polarized) Plug, SPT-2, 18/2, L=3600±25mm, Black, UL/CSA, with enclosure strain relief, Approvals: Fuse 60335; Book 60601; CB 60601-1; CB 60950; CB EN/IEC 60335-1; CE; LPS 62368; CE; China RoHS; cRUus (up to 30V); cRUus; EAC; FCC; IEC 60335; IEC/EN60601-1; IEC/EN60950-1; IP68; Level V; LPS 60950; PSE; SIQ; ETL 62368; SIQ; Ukraine; VCCI; WEEE; ETL; CB60335; |
|   | Model No. GTM91120-1507.5-2.5-P2  |
|   | Part No./Ordering No. PR91A3000USBCIMRVB <span style="float: right;">Rev A</span>   |

|   |   |
|---|---|
| AGENCY ONLINE DOCUMENTS                         | <a href="http://www.globtek.info/certs/GTM91120-P2%20-P3/">http://www.globtek.info/certs/GTM91120-P2%20-P3/</a>   |
| CE EC-Declaration for Medical                   | <a href="http://globtek.force.com/models/ec_declaration_product?id=01t3a000005Jl5R&amp;m=1">http://globtek.force.com/models/ec_declaration_product?id=01t3a000005Jl5R&amp;m=1</a>           |
| CE EC-Declaration for Industrial/Commercial/ITE | <a href="http://globtek.force.com/models/ec_declaration_product?id=01t3a000005Jl5R&amp;i=3">http://globtek.force.com/models/ec_declaration_product?id=01t3a000005Jl5R&amp;i=3</a>           |
| CE EC-Declaration for Household                 | <a href="#">Contact GlobTek for more information</a>  |
| UKCA-Declaration for Medical                    | <a href="http://globtek.force.com/models/ukca_declaration_product?id=01t3a000005Jl5R&amp;m=1">http://globtek.force.com/models/ukca_declaration_product?id=01t3a000005Jl5R&amp;m=1</a>       |
| UKCA-Declaration for Industrial/Commercial/ITE  | <a href="http://globtek.force.com/models/ukca_declaration_product?id=01t3a000005Jl5R&amp;i=3">http://globtek.force.com/models/ukca_declaration_product?id=01t3a000005Jl5R&amp;i=3</a>       |
| UKCA-Declaration for Household                  | <a href="#">Contact GlobTek for more information</a>  |
| Morocco SDoC Declaration                        | <a href="https://globtek.secure.force.com/models/Morocco_SDoC_Declaration?id=a0Oa000000JB1hJEAX">https://globtek.secure.force.com/models/Morocco_SDoC_Declaration?id=a0Oa000000JB1hJEAX</a> |
| RoHS/RoHS3 Declaration                          | <a href="https://www.globtek.com/pdf/rohs_cert/01t3a000005Jl5RAAS">https://www.globtek.com/pdf/rohs_cert/01t3a000005Jl5RAAS</a>   |
| REACH Declaration                               | <a href="https://www.globtek.com/pdf/iso_certificates/REACH.pdf">https://www.globtek.com/pdf/iso_certificates/REACH.pdf</a>   |
| Conflict Minerals Declaration                   | <a href="https://www.globtek.com/pdf/conflict-minerals.pdf">https://www.globtek.com/pdf/conflict-minerals.pdf</a>   |
| Prop 65 Statement                               | <a href="https://en.globtek.com/prop-65-statement.pdf">https://en.globtek.com/prop-65-statement.pdf</a>   |

IPXY rating is based on 3rd party testing and customers should check suitability and test system level IPXY rating before ordering.

## Regulatory Certifications/Label Markings

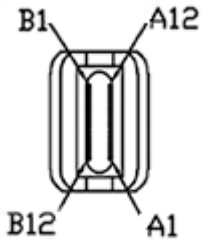
Below follows a link to the latest regulatory certifications and marks for this specific product. National standards as well as certification schemes are constantly changing and so is the set of certification marks and symbols applicable to this product. Various standards, marks and symbols, and certificates are subject to change at any time without notice.

Additional standards or unique country certifications are available upon request. Please contact Globtek to request a quotation.

|                                      |   |
|--------------------------------------|---|
| LATEST PRODUCT/MODEL CERTIFICATIONS: | <a href="https://www.globtek.com/datasheet/w70908">https://www.globtek.com/datasheet/w70908</a>                 |
| AGENCY ONLINE DOCUMENTS              | <a href="http://www.globtek.info/certs/GTM91120-P2%20-P3/">http://www.globtek.info/certs/GTM91120-P2%20-P3/</a> |



(F1) Class II / Double Insulated



+V: A4, A9, B4, B9,  
 GND: A1, A12, B1, B12,

CC1: A5, 10K to +V  
 D+:A6,  
 D-:A7

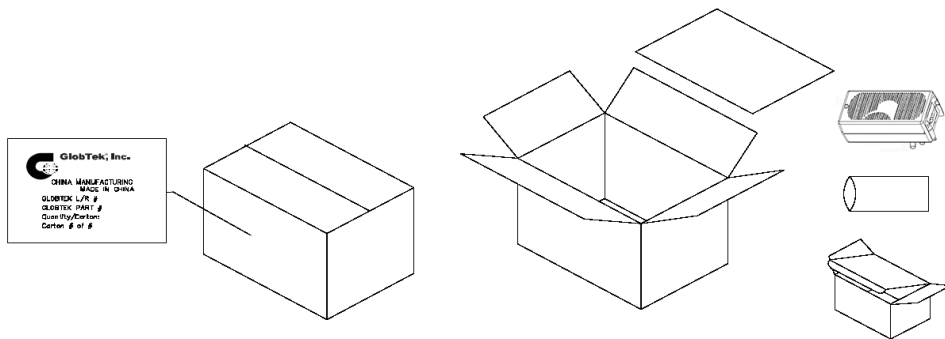
|   |  |       |
|---|--|-------|
| GlobTek, Inc.<br>www.globtek.com<br>186 Veterans Drive,<br>Northvale, NJ 07647<br>Tel. (201) 784-1000<br>Fax (201) 784-0111 | Drawing Title: GTM91120-1507.5-2.5-P2, ICT / ITE / Medical Power Supply, Efficiency Level: V, Case Color/Style: GlobTek Black, Potted/Encapsulated in plastic housing, Regulated Switchmode AC-DC Power Supply AC Adaptor, Input Rating: 100-240V~, 50-60 Hz, N. America NEMA 1-15 Fixed , Output Rating: 15W, 5.0V@3.0A, Output Configuration: 2000 mm, 18/1C + Shield Cond, UL 1185, USB Type-C Connector compliant with Directive (EU) 2022/2380 and 2014/53/EU Radio Equipment Directive (RED), Ferrite: None, GlobTek Black, GT Cord # C61322, Pin Out: +V: A4, A9, B4, B9, GND: A1, A12, B1, B12, CC1: A5, 10K to +V D+:A6, D-:A7, Blades/Input Cord: North American: 2 Conductor Nema 1-15P (non-polarized) Plug, SPT-2, 18/2, L=3600±25mm, Black, UL/CSA, with enclosure strain relief, Approvals: Fuse 60335; Book 60601; CB 60601-1; CB 60950; CB EN/IEC 60335-1; CE; LPS 62368; CE; China RoHS; cRUus (up to 30V); cRUus; EAC; FCC; IEC 60335; IEC/EN60601-1; IEC/EN60950-1; IP68; Level V; LPS 60950; PSE; SIQ; ETL 62368; SIQ; Ukraine; VCCI; WEEE; ETL; CB60335; |       |
|   | Model No. GTM91120-1507.5-2.5-P2   |       |
|   | Part No./Ordering No. PR91A3000USBCIMRVB   | Rev A |

## PACKAGING

|                                  |   |
|----------------------------------|---|
| Packing Spec P/N:                | Standard GTM91120, Individually Box   |
| Box Qty                          | 20  |
| Gift Box Size (mm):              | 145*130*65  |
| Gift Box Color:                  | White   |
| Master Carton Size (mm):         | 340 x 305 x 295   |
| Master Carton Cubic Volume (m³): | 0.03  |
| Master GW (Kg):                  | 9.9 kg  |
| BLADES INCLUDED:                 | FC-NA2-3600: North American: 2 Conductor Nema 1-15P (non-polarized) Plug, SPT-2, 18/2, L=3600±25mm, Black, UL/CSA, with enclosure strain relief |
| BLADE/CORD INSTALLED:            | :   |
| USER MANUAL*:                    |   |
| USER MANUAL WEB LINK:            |   |

\* This specification sheet is considered the user manual for all applications. It is expected that the buyer of this product will use it to formulate their own user manual for their end product and a user manual specifically for the power adapter is not usually required. If a user manual is not specifically listed above then none will be provided with this unit.

If specific packaging is required, this section must specify all requirements and note "no exceptions". If this section does not specify packaging, it is subject to change without notice at GlobTek's discretion



### PROPRIETARY INFORMATION

|   |  |       |
|---|--|-------|
| GlobTek, Inc.<br>www.globtek.com<br>186 Veterans Drive,<br>Northvale, NJ 07647<br>Tel. (201) 784-1000<br>Fax (201) 784-0111 | Drawing Title: GTM91120-1507.5-2.5-P2, ICT / ITE / Medical Power Supply, Efficiency Level: V, Case Color/Style: GlobTek Black, Potted/Encapsulated in plastic housing, Regulated Switchmode AC-DC Power Supply AC Adaptor, Input Rating: 100-240V~, 50-60 Hz, N. America NEMA 1-15 Fixed , Output Rating: 15W, 5.0V@3.0A, Output Configuration: 2000 mm, 18/1C + Shield Cond, UL 1185, USB Type-C Connector compliant with Directive (EU) 2022/2380 and 2014/53/EU Radio Equipment Directive (RED), Ferrite: None, GlobTek Black, GT Cord # C61322, Pin Out: +V: A4, A9, B4, B9, GND: A1, A12, B1, B12, CC1: A5, 10K to +V D+:A6, D-:A7, Blades/Input Cord: North American: 2 Conductor Nema 1-15P (non-polarized) Plug, SPT-2, 18/2, L=3600±25mm, Black, UL/CSA, with enclosure strain relief, Approvals: Fuse 60335; Book 60601; CB 60601-1; CB 60950; CB EN/IEC 60335-1; CE; LPS 62368; CE; China RoHS; cRUus (up to 30V); cRUus; EAC; FCC; IEC 60335; IEC/EN60601-1; IEC/EN60950-1; IP68; Level V; LPS 60950; PSE; SIQ; ETL 62368; SIQ; Ukraine; VCCI; WEEE; ETL; CB60335; |       |
|   | Model No. GTM91120-1507.5-2.5-P2   |       |
|   | Part No./Ordering No. PR91A3000USBCIMRVB   | Rev A |

## INSTRUCTIONS TO THE OEM SYSTEMS ENGINEER

It is the responsibility of the OEM systems engineer to provide the end system user instructions and warnings for the use of this product in the end system.

If an input cord is required for this product, AC Mains voltage should be provided to the power supply by a power supply cord approved to the national standards of the country in which it will be used.

This product is not designed to be repaired. No serviceable parts inside. A blown internal fuse is an indication of catastrophic failure of circuit component(s). If a Failure Analysis is required for a failed power supply/battery charger, please return the damaged unit to GlobTek for an accurate determination of the root cause of the failure.

EMC Compliance of the complete OEM product, including the GlobTek power supply/battery charger needs to be verified by the OEM systems engineer.

## INSTRUCTION SHEET

### PROPRIETARY INFORMATION

|  |   |
|--|---|
| <p>GlobTek, Inc.<br/> www.globtek.com<br/> 186 Veterans Drive,<br/> Northvale, NJ 07647<br/> Tel. (201) 784-1000<br/> Fax (201) 784-0111</p> | <p>Drawing Title: GTM91120-1507.5-2.5-P2, ICT / ITE / Medical Power Supply, Efficiency Level: V, Case Color/Style: GlobTek Black, Potted/Encapsulated in plastic housing, Regulated Switchmode AC-DC Power Supply AC Adaptor, Input Rating: 100-240V~, 50-60 Hz, N. America NEMA 1-15 Fixed , Output Rating: 15W, 5.0V@3.0A, Output Configuration: 2000 mm, 18/1C + Shield Cond, UL 1185, USB Type-C Connector compliant with Directive (EU) 2022/2380 and 2014/53/EU Radio Equipment Directive (RED), Ferrite: None, GlobTek Black, GT Cord # C61322, Pin Out: +V: A4, A9, B4, B9, GND: A1, A12, B1, B12, CC1: A5, 10K to +V D+:A6, D-:A7, Blades/Input Cord: North American: 2 Conductor Nema 1-15P (non-polarized) Plug, SPT-2, 18/2, L=3600±25mm, Black, UL/CSA, with enclosure strain relief, Approvals: Fuse 60335; Book 60601; CB 60601-1; CB 60950; CB EN/IEC 60335-1; CE; LPS 62368; CE; China RoHS; cRUus (up to 30V); cRUus; EAC; FCC; IEC 60335; IEC/EN60601-1; IEC/EN60950-1; IP68; Level V; LPS 60950; PSE; SIQ; ETL 62368; SIQ; Ukraine; VCCI; WEEE; ETL; CB60335;</p> |
|  | <p>Model No. GTM91120-1507.5-2.5-P2</p>   |
|  | <p>Part No./Ordering No. PR91A3000USBCIMRVB <span style="float: right;">Rev A</span></p>  |

