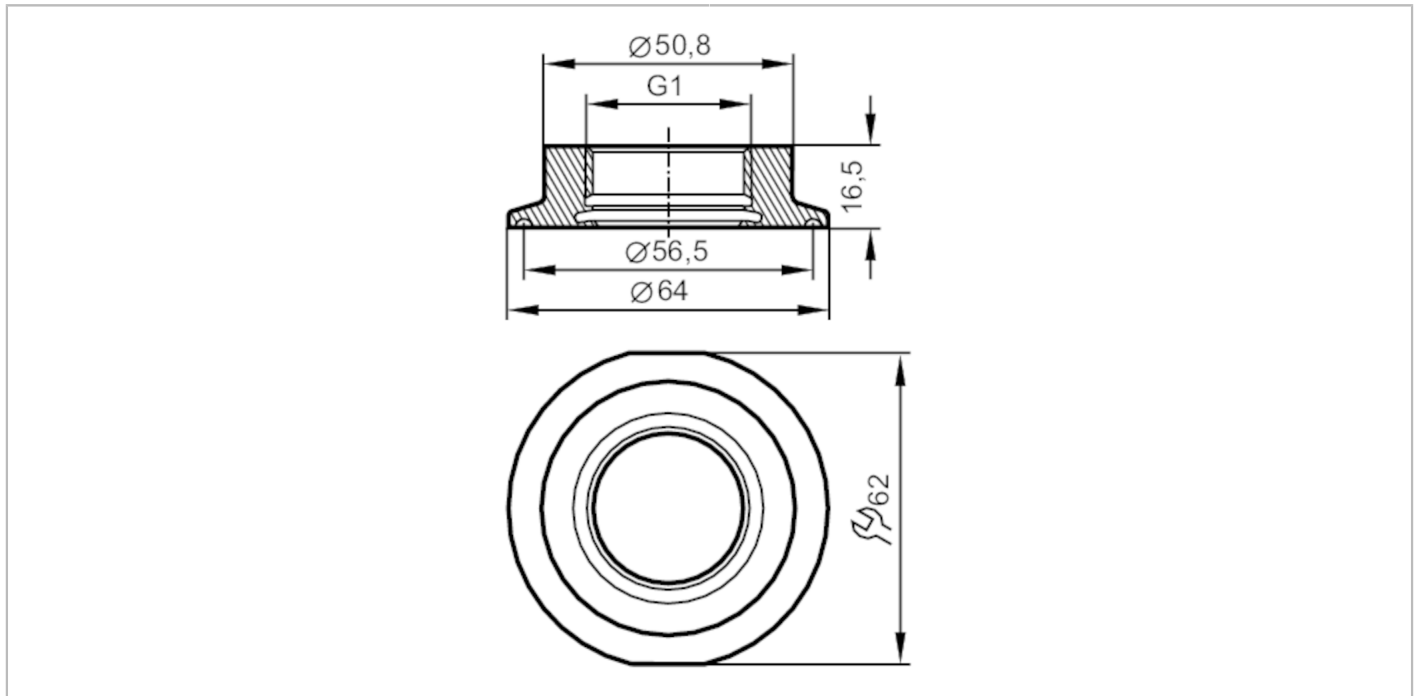


E33202



Process adapter Tri-Clamp

ADAPT IFM-CLAMP ISO2852 2"



CRN EC 1935/2004 EHEDG Tested 

| Application | |
|---------------------------------------|--|
| Pressure rating | [bar] 16 |
| Tests / approvals | |
| Pressure Equipment Directive | A possible classification to PED depends on the application and has to be carried out by the user / operator. |
| Pressure Equipment Directive EAC | The adapter is intended for use in devices, machines and installations that do not fall under the categories of the technical rule TR CU 032/2013. |
| Safety instructions | The compatibility between medium and product material has to be checked in all applications. |
| Mechanical data | |
| Weight | [g] 227.5 |
| Materials (wetted parts) | stainless steel (1.4435 / 316L) ; surface characteristics : Ra<0,4 / Rz 4 |
| Sensor connection | G 1 Aseptoflex Vario |
| Process connection | Clamp DN50 (2") DIN 32676 (ISO 2852) |
| Sealing | Gasket |
| Hygienic equipment class to DIN 11866 | H4 |
| Accessories | |
| Items supplied | O-ring: 1 x 24 x 2, EPDM, FDA compliant, E30054 |
| Accessories (optional) | O-ring: 1 x 24 x 2, FKM, FDA compliant, E30123 sealing ring: 1, PEEK, FDA compliant, E30124 |
| Remarks | |
| Pack quantity | 1 pcs. |