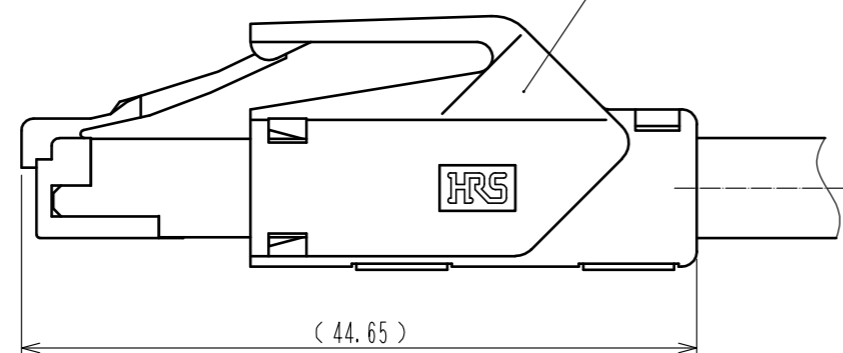
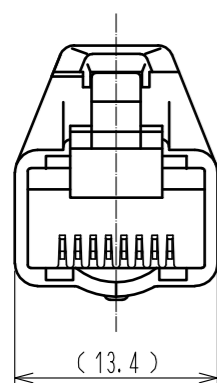
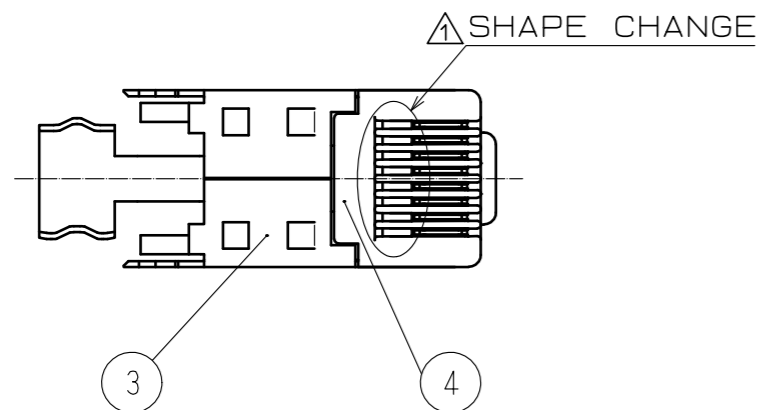
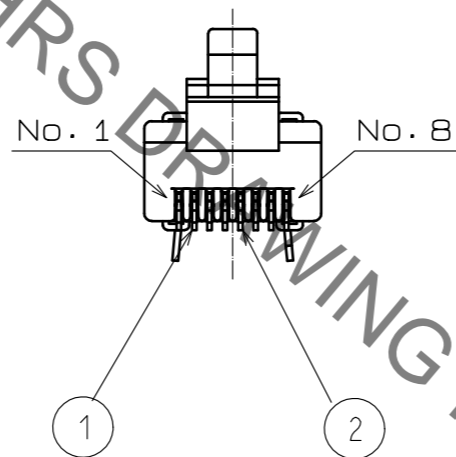
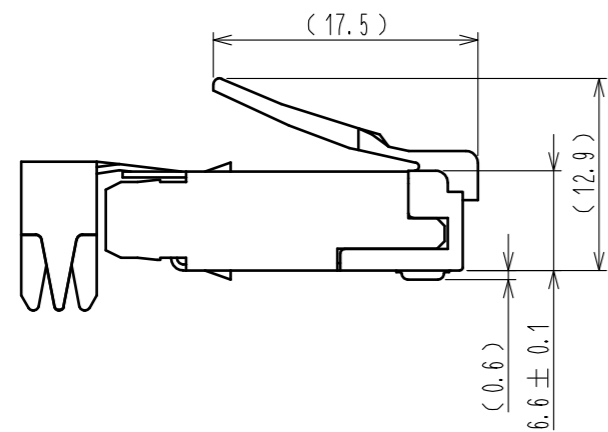
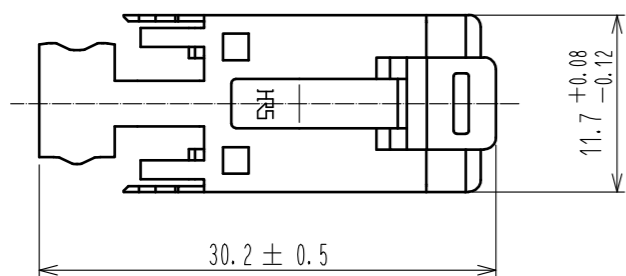


May.1.2023 Copyright 2023 HIROSE ELECTRIC CO., LTD. All Rights Reserved.
In case of consideration for using Automotive equipment / device which demand high reliability, kindly contact our sales window correspondents.



1 TABLE-1

APPLICABLE CABLE WIRE		
	CONDUCTOR	AWG#24 STRANDED WIRE ~ AWG#27 STRANDED WIRE
	INSULATOR DIAMETER	($\phi 0.9 \sim \phi 1.0$)
JACKET DIAMETER		($\phi 5.8 \sim \phi 6.0$)

- NOTES
- 1 APPLICABLE CABLE IS SHOWN IN TABLE-1
 2. () INDICATES THE REFERENCE DIMENSIONS.
 3. TO SATISFY CAT6a PERFORMANCE, PLEASE ASSEMBLE ACCORDING TO HRS INSTRUCTION. (ETAD-E2847)
 4. COLORS ARE DIFFERENT DEPENDING ON THE SPECIFICATION NUMBER.

4 CL222-2862-9-**
TM21P-88P(**)

COVER(SOLD SEPARATEIL)MATED

2	PHOSPHOR BRONZE	CONTACT: GOLD PLATING 1.27 μ m MIN LEAD: GOLD PLATING 0.03 μ m MIN UNDER: NICKEL PLATING 2 μ m MIN						
1	PHOSPHOR BRONZE	CONTACT: GOLD PLATING 1.27 μ m MIN LEAD: GOLD PLATING 0.03 μ m MIN UNDER: NICKEL PLATING 2 μ m MIN	4	POLYCARBONATE	(YELLOW)UL94V-2			
			3	STAINLESS STEEL	OVER:NICKEL PLATING 0.5 μ m MIN			
NO.	MATERIAL	FINISH . REMARKS	NO.	MATERIAL	FINISH . REMARKS			
UNITS mm		SCALE 2 : 1	COUNT 1	DESCRIPTION OF REVISIONS DIS-E-00003330		DESIGNED KIM JAEHYEON	CHECKED TU. TANIGUCHI	DATE 20210309
HRS HIROSE ELECTRIC CO., LTD.		APPROVED : YH. ENAMI	20090602	DRAWING NO. EDC-126868-01-01				
		CHECKED : YH. ENAMI	20090602	PART NO. TM31P-TM-88P(01)				
		DESIGNED : MT. ITANO	20090602	CODE NO. CL0222-4626-7-01				
		DRAWN : MT. ITANO	20090602			1/1		