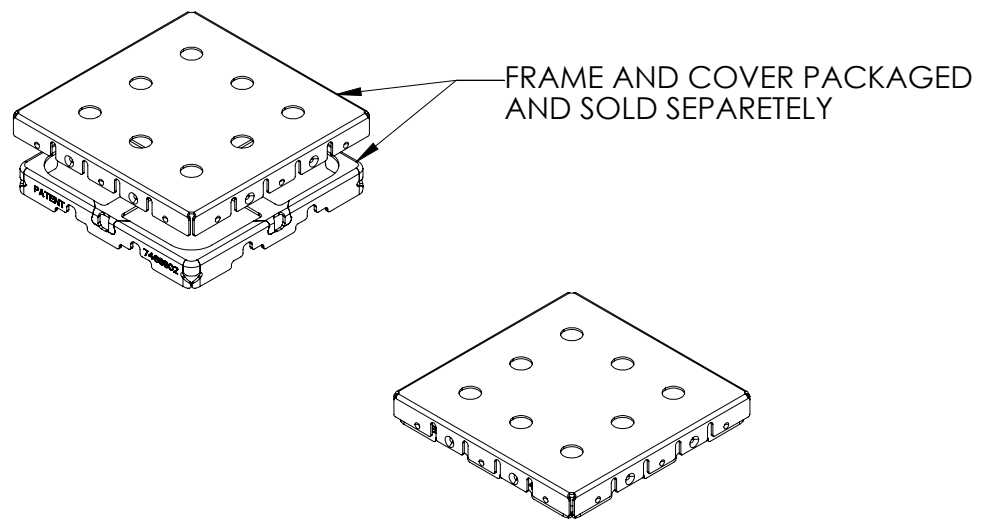
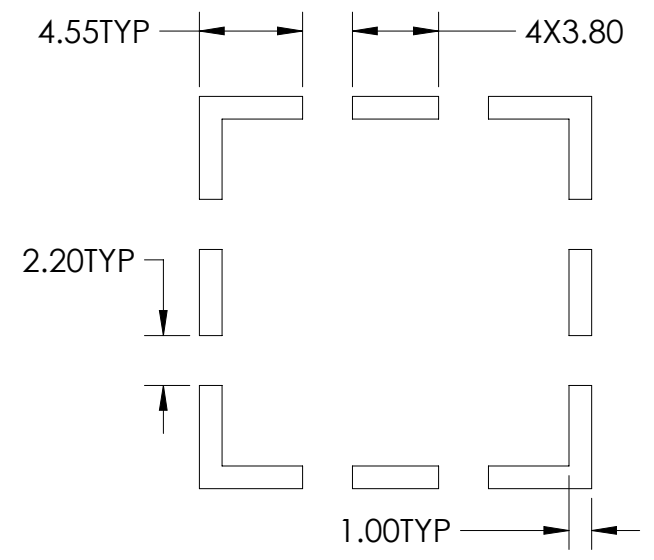
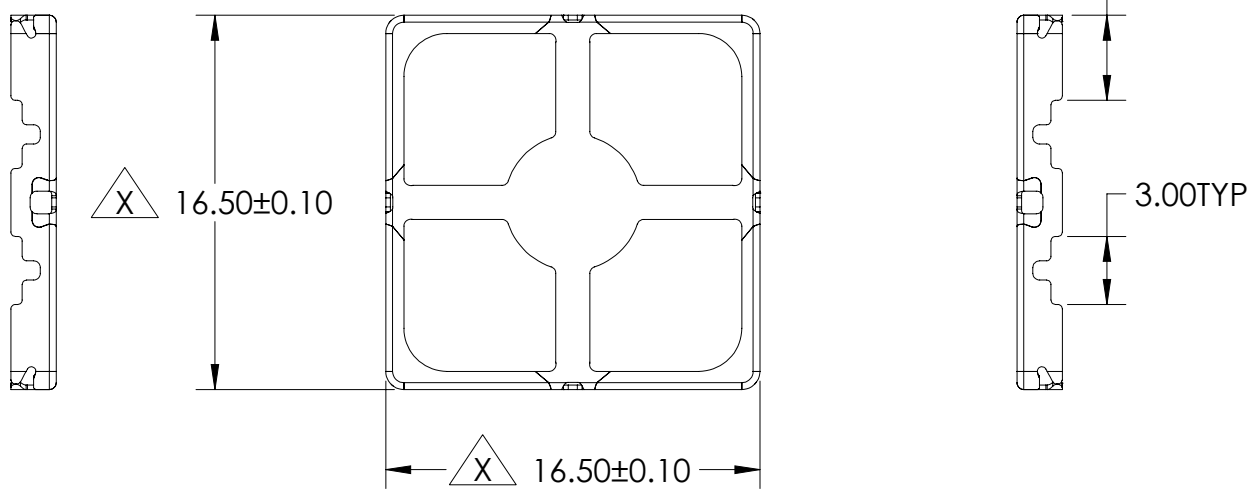
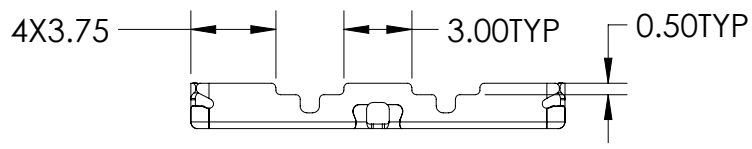
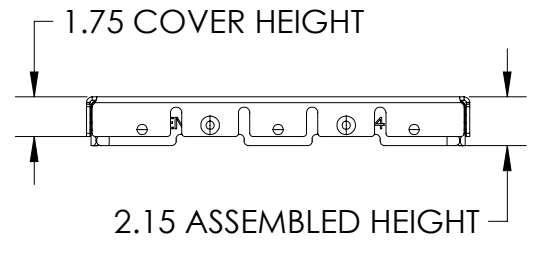


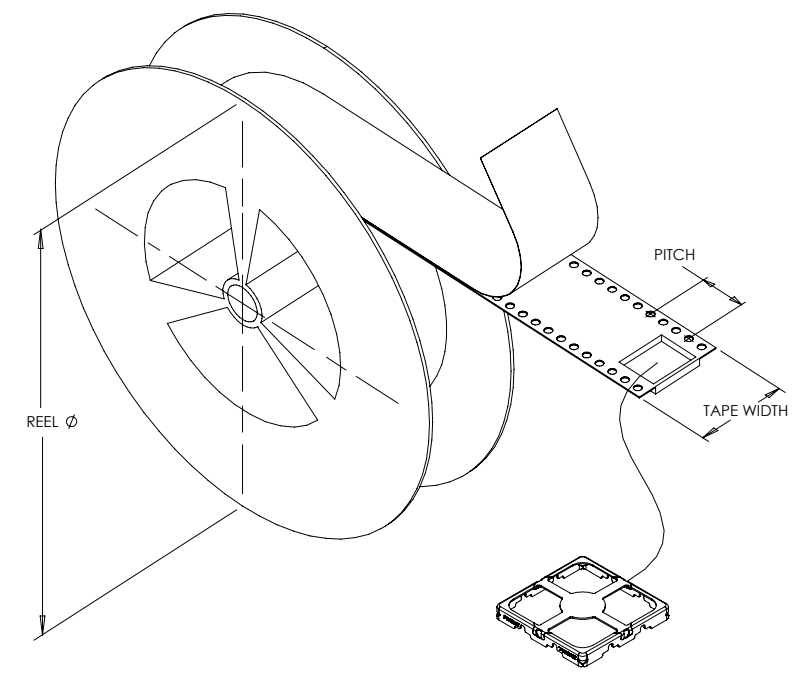
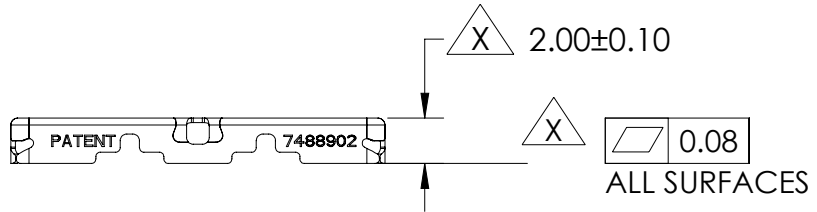
FUNCTION	PART NUMBER	MATERIAL/FINISH	PACKAGING			
			TAPE AND REEL			
FRAME	BMI-S-202-F-20-R	.20MM 1008/1010 PRE-PLATED COLD ROLLED STEEL 1/2 HARD 1.25-5.00 MICRONS 100% MATTE TIN	REEL DIAMETER	TAPE WIDTH	PITCH	QUANTITY
						381MM
COVER	BMI-S-202-C-20	.15MM 1008/1010 PRE-PLATED COLD ROLLED STEEL 1/2 HARD 1.25-5.00 MICRONS 100% MATTE TIN	BULK PACK			



- NOTES:
- OTHER MATERIAL OPTIONS MAY BE AVAILABLE, CONSULT SALES
 - OTHER PACKAGING OPTIONS MAY BE AVAILABLE, CONSULT SALES



FOOTPRINT
SCALE 1:1



PART MARKING ON SIDES
IS NOT INTENDED TO BE
RELEVANT TO PART
ORIENTATION IN CARRIER TAPE.

CRITICAL DIMENSIONS ARE DESIGNATED BY $\triangle X$

US PATENT 7488902

		PART DESCRIPTION: BOARD LEVEL SHIELD		LAIRD PART NUMBER: BMI-S-202-R-20-SALES	
		CUSTOMER: LAIRD CATALOG			
3RD ANGLE PROJECTION		PROGRAM NAME: STANDARDS	MODEL BY: AT	DATE: 07/14/20	REV: SALES
DESIGNED IN SOLIDWORKS	SIZE B	CUSTOMER PART NUMBER: N/A	APPROVED BY: X	DATE: XX/XX/XXXX	
SCALE: 3:1	SHEET 1 OF 1	INFORMATION CONTAINED IN THIS DOCUMENT IS CONFIDENTIAL AND PROPRIETARY TO LAIRD TECHNOLOGIES. IT MAY NOT BE DISCLOSED TO ANYONE WITHOUT WRITTEN AUTHORIZATION FROM LAIRD TECHNOLOGIES			