



ANATECH ELECTRONICS INC
RF & Microwave Filters & Products

1747.5 MHz / 1842.5 MHz Ceramic Duplexer

Part Number: AM1747-1842D1091-C



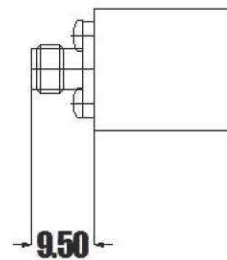
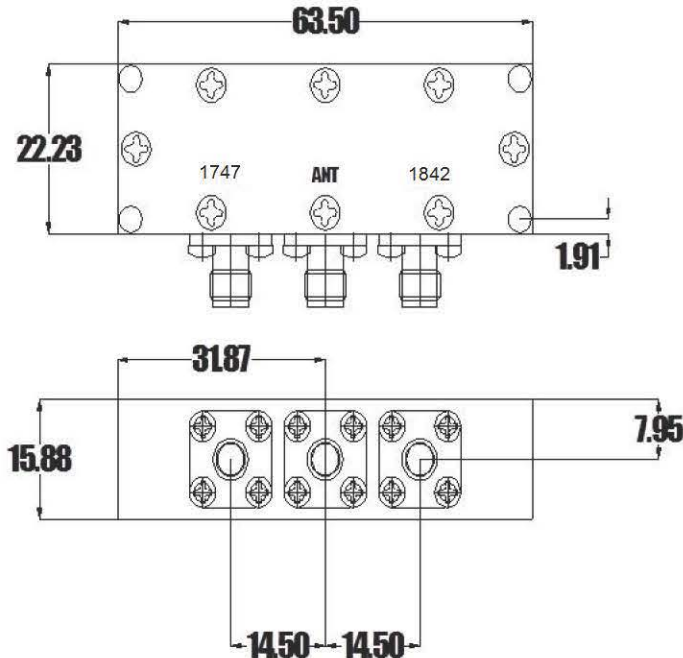
| <u>Characteristics</u> | <u>Band 1</u> | <u>Band 2</u> |
|----------------------------------|---------------|---------------|
| Passband: | 1805-1880 MHz | 1710-1785 MHz |
| Bandwidth: | 75 MHz | 75 MHz |
| VSWR: | 1.5:1 Max | 1.5:1 Max |
| Passband Insertion Loss: | 3.5 dB | 3.5 dB |
| Passband Ripple: | 2.5 dB | 2.5 dB |
| Input / Output Impedance: | 50 Ohms | 50 Ohms |
| Isolation: | 40 dB | 40 dB |
| Power Handling: | 5 Watts | 5 Watts |

| <u>Mechanical</u> | |
|------------------------|--------------------------|
| Connector Type: | SMA (F) |
| Dimensions: | 63.50 x 22.23 x 15.88 mm |

| <u>Environmental</u> | |
|-------------------------------|------------------|
| Operating Temperature: | -40 to +85 deg.C |
| Storage Temperature: | -50 to +90 deg.C |

This product is RoHs compliant.

Outline Drawing:



CONNECTION : PORT : SMA(Female)-All
Ports TOLERANCE : ±0.30
UNIT : mm



ANATECH ELECTRONICS INC
RF & Microwave Filters & Products

1747.5 MHz / 1842.5 MHz Ceramic Duplexer

Part Number: AM1747-1842D1091-C

