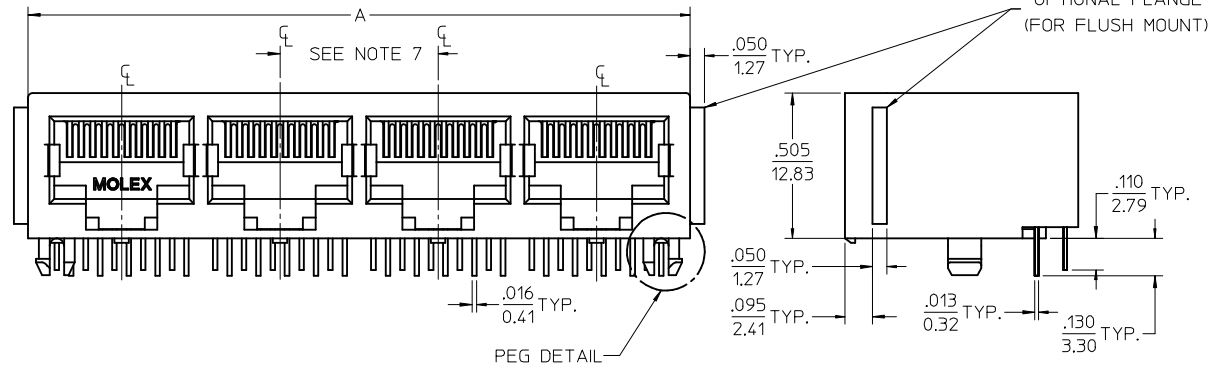


NOTES:

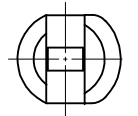
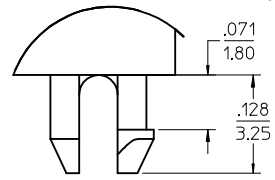
- 1) MATERIAL:
HOUSING: GLASS FILLED NYLON, UL94V-0, COLOR: BLACK
INSULATOR: GLASS FILLED NYLON, UL94V-0, COLOR: BLACK
TERMINALS: PHOSPHOR BRONZE: .012/ 0.30 THICK
- 2) FINISH:
TERMINALS:
SELECT GOLD IN CONTACT AREA: 50 MICROINCHES/ 1.27 MICROMETERS MIN.,
*SELECT TIN IN PC TAIL AREA: 100 MICROINCHES/ 2.54 MICROMETERS MIN.,
WITH OVERALL NICKEL UNDERPLATE: 50 MICROINCHES/ 1.27 MICROMETERS MIN.
*THE PRIMARY SHIPPING CARTON WILL BE LABELED "COMPLIANT TO RoHS DIRECTIVE 2002/95/EC AND ELV ANNEX II OF DIRECTIVE 2000/53/EC".
CARTONS WITHOUT THIS LABEL MAY CONTAIN PRODUCT WITH TIN-LEAD IN THE PC TAIL AREA.
- 3) PRODUCT SPECIFICATION AND PROCESSING PARAMETERS: PS-43223-001.
- 4) PACKAGING SPECIFICATION:
UNSHIELDED CONNECTOR ASSEMBLIES PACKAGED IN TRAYS PER MOLEX PACKAGING SPECIFICATION PK-43249-004.
- 5) SEE SHEETS 4-6 FOR P.C. BOARD LAYOUTS.
- 6) SEE SHEET 2 FOR THE SHIELDED JACK ASSEMBLY.
- 7) FOR 6 CIRCUIT JACKS CENTERLINE TO CENTERLINE SPACING IS .448/ 11.38, FOR 8 CIRCUIT JACKS CENTERLINE TO CENTERLINE SPACING IS .550/ 13.97.
- 8) ALL UNTOLERANCED DIMENSIONS ARE SHOWN FOR REFERENCE ONLY.
- 9) THIS PART CONFORMS TO CLASS B REQUIREMENTS OF COSMETIC SPECIFICATION PS-45499-002.



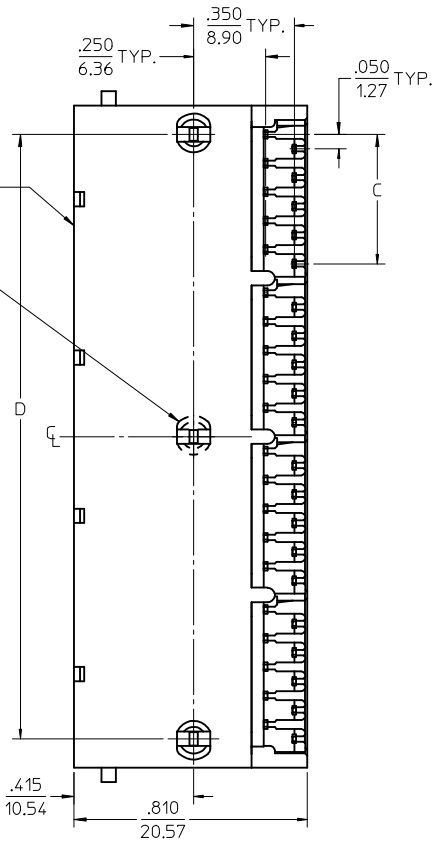
4 PORT 8 LOADED
10 JACK SHOWN

UNSHIELDED GANGED JACK ASSEMBLY
SEE SHEET 3

CENTER PEG
(8 PORT ASSY. ONLY)



SNAP-FIT
PEG DETAIL
SCALE 8:1



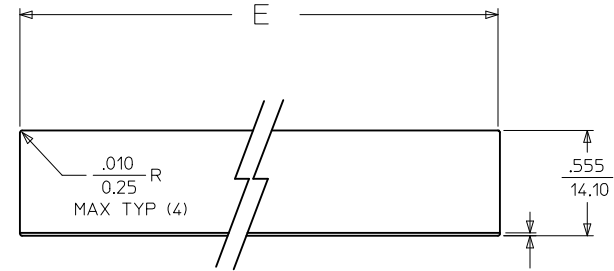
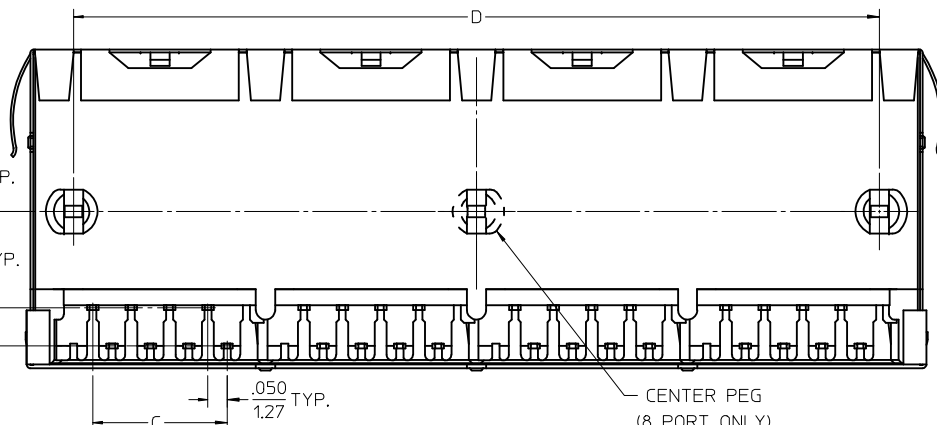
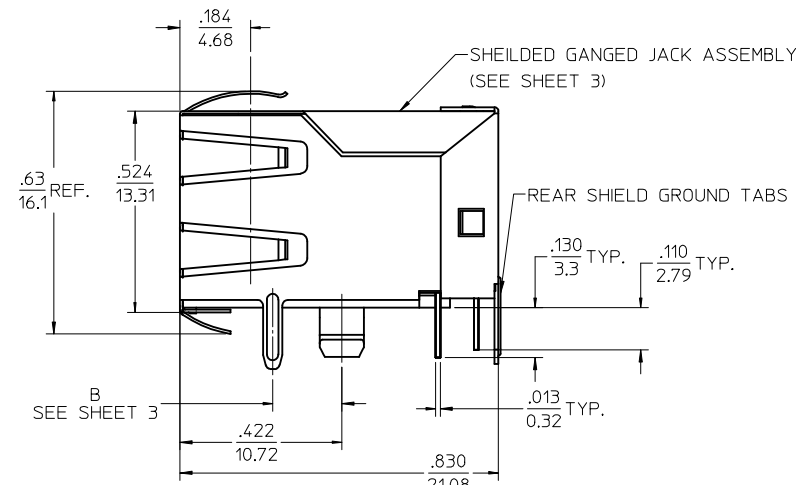
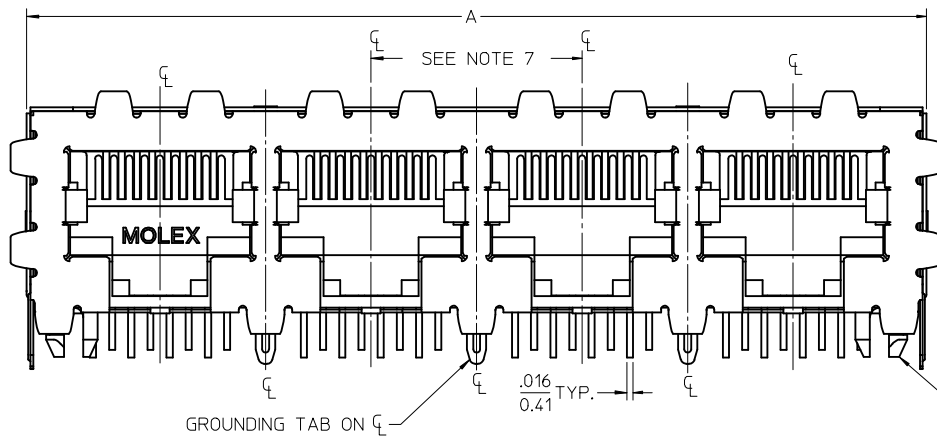
6 CIRCUIT HOUSING

CIRCUIT SIZE	NO. OF PORTS	DIM. A	DIM. C	DIM. D
6	2	.985 (25.02)	.250 (6.35)	.848 (21.54)
4	2	.985 (25.02)	.150 (3.81)	.848 (21.54)
2	2	.985 (25.02)	.050 (1.27)	.848 (21.54)
6	3	1.433 (36.40)	.250 (6.35)	1.296 (32.92)
4	3	1.433 (36.40)	.150 (3.81)	1.296 (32.92)
2	3	1.433 (36.40)	.050 (1.27)	1.296 (32.92)
6	4	1.881 (47.78)	.250 (6.35)	1.744 (44.30)
4	4	1.881 (47.78)	.150 (3.81)	1.744 (44.30)
2	4	1.881 (47.78)	.050 (1.27)	1.744 (44.30)
6	5	2.329 (59.16)	.250 (6.35)	2.192 (55.68)
4	5	2.329 (59.16)	.150 (3.81)	2.192 (55.68)
2	5	2.329 (59.16)	.050 (1.27)	2.192 (55.68)
6	6	2.777 (70.54)	.250 (6.35)	2.640 (67.06)
4	6	2.777 (70.54)	.150 (3.81)	2.640 (67.06)
2	6	2.777 (70.54)	.050 (1.27)	2.640 (67.06)
6	8	3.673 (93.29)	.250 (6.35)	3.536 (89.81)
4	8	3.673 (93.29)	.150 (3.81)	3.536 (89.81)
2	8	3.673 (93.29)	.050 (1.27)	3.536 (89.81)

8 CIRCUIT HOUSING

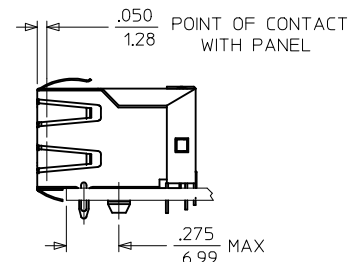
CIRCUIT SIZE	NO. OF PORTS	DIM. A	DIM. C	DIM. D
10	2	1.200 (30.48)	.450 (11.43)	1.000 (25.40)
8	2	1.200 (30.48)	.350 (8.89)	1.000 (25.40)
6	2	1.200 (30.48)	.250 (6.35)	1.000 (25.40)
10	3	1.750 (44.45)	.450 (11.43)	1.550 (39.37)
8	3	1.750 (44.45)	.350 (8.89)	1.550 (39.37)
6	3	1.750 (44.45)	.250 (6.35)	1.550 (39.37)
4	3	1.750 (44.45)	.150 (3.81)	1.550 (39.37)
10	4	2.300 (58.42)	.450 (11.43)	2.100 (53.34)
8	4	2.300 (58.42)	.350 (8.89)	2.100 (53.34)
4	4	2.300 (58.42)	.150 (3.81)	2.100 (53.34)
4	5	2.850 (72.39)	.450 (11.43)	2.650 (67.31)
10	5	2.850 (72.39)	.350 (8.89)	2.650 (67.31)
8	5	2.850 (72.39)	.250 (6.35)	2.650 (67.31)
10	6	3.400 (86.36)	.450 (11.43)	3.200 (81.28)
8	6	3.400 (86.36)	.350 (8.89)	3.200 (81.28)
10	8	4.500 (114.30)	.450 (11.43)	4.300 (109.22)
8	8	4.500 (114.30)	.350 (8.89)	4.300 (109.22)

ADD PN 43223-6001 EC NO: UCP2017-0909 DRW: WAFENG02 2016/10/26 CHKD: APPR: KLANG 2016/10/28 REV: K3	QUALITY SYMBOLS ▽=0 ▽=0	GENERAL TOLERANCES (UNLESS SPECIFIED) <table border="1" style="font-size: small;"> <tr><th>mm</th><th>INCH</th></tr> <tr><td>4 PLACES ± ---</td><td>± ---</td></tr> <tr><td>3 PLACES ± ---</td><td>± .015</td></tr> <tr><td>2 PLACES ± 0.38</td><td>± ---</td></tr> <tr><td>1 PLACE ± ---</td><td>± ---</td></tr> </table> ANGULAR ±1/2°	mm	INCH	4 PLACES ± ---	± ---	3 PLACES ± ---	± .015	2 PLACES ± 0.38	± ---	1 PLACE ± ---	± ---	DIMENSION STYLE IN/MM DRAWN BY DATE JTR 1993/10/18 CHECKED BY DATE JTR 1993/10/18 APPROVED BY DATE RAS 1993/10/18	SCALE 3:1	DESIGN UNITS INCH	THIRD ANGLE PROJECTION
	mm	INCH														
	4 PLACES ± ---	± ---														
	3 PLACES ± ---	± .015														
2 PLACES ± 0.38	± ---															
1 PLACE ± ---	± ---															
LOW PROFILE GANGED, RIGHT ANGLE MODULAR JACK ASSEMBLY																
MOLEX INCORPORATED																
DRAFT WHERE APPLICABLE MUST REMAIN WITHIN DIMENSIONS				SEE SHTS 3	DOCUMENT NO. SDA-43223	SHEET NO. 1 OF 6										
THIS DRAWING CONTAINS INFORMATION THAT IS PROPRIETARY TO MOLEX INCORPORATED AND SHOULD NOT BE USED WITHOUT WRITTEN PERMISSION																



SUGGESTED PANEL OPENING
 .015 TOP OF PCB TO BOTTOM OF OPENING
 0.38

SCALE : 2/1



4 PORT 8 LOADED
 8 JACK SHOWN

- NOTES:
 1) MATERIAL:
 HOUSING: GLASS FILLED NYLON, UL94V-0, COLOR: BLACK
 INSULATOR: GLASS FILLED NYLON, UL94V-0, COLOR: BLACK
 TERMINALS: PHOSPHOR BRONZE: .012/ 0.30 THICK
 SHIELD: BRASS, FRONT .007/ 0.18 THICK, REAR .010/ 0.25 THICK

- 2) FINISH:
 TERMINALS:
 SELECT GOLD IN CONTACT AREA: 50 MICROINCHES/ 1.27 MICROMETERS MIN.,
 *SELECT TIN IN PC TAIL AREA: 100 MICROINCHES/ 2.54 MICROMETERS MIN.,
 WITH OVERALL NICKEL UNDERPLATE: 50 MICROINCHES/ 1.27 MICROMETERS MIN.
 SHIELD:
 *100 MICROINCHES/ 2.54 MICROMETERS NICKEL OVER 50 MICROINCHES/ 1.27 MICROMETERS COPPER UNDERPLATE. PCB GROUND TABS DIPPED IN TIN
 *THE PRIMARY SHIPPING CARTON WILL BE LABELED "COMPLIANT TO RoHS DIRECTIVE 2002/95/EC AND ELV ANNEX II OF DIRECTIVE 2000/53/EC". CARTONS WITHOUT THIS LABEL MAY CONTAIN PRODUCT WITH TIN-LEAD IN THE PC TAIL AND/OR SHIELD.

- 3) PRODUCT SPECIFICATION AND PROCESSING PARAMETERS: PS-43223-001.
 4) PACKAGING SPECIFICATION:
 SHIELDED CONNECTOR ASSEMBLIES PACKAGED IN TRAYS PER MOLEX PACKAGING SPECIFICATION PK-44150-004.
 5) SEE SHEETS 4-6 FOR P.C. BOARD LAYOUTS.
 6) REAR SHIELD IS AVAILABLE WITH (1) CENTERED GROUND TAB ON 4 & 8 PORT VERSIONS.
 7) 8 CIRCUIT JACKS CENTERLINE TO CENTERLINE SPACING IS .550/ 13.97.
 8) ALL UNTOLERANCED DIMENSIONS ARE SHOWN FOR REFERENCE ONLY.
 9) THIS PART CONFORMS TO CLASS B REQUIREMENTS OF COSMETIC SPECIFICATION PS-45499-002.

HOUSING SIZE	CIRCUIT SIZE	NO. OF PORTS	DIM. A	DIM. C	DIM. D	DIM. E
8	8	2	1.224 (31.09)	.350 (8.89)	1.000 (25.40)	1.255 (31.88)
8	8	4	2.324 (59.03)	.350 (8.89)	2.100 (53.34)	2.355 (59.82)
8	8	6	3.424 (86.97)	.350 (8.89)	3.200 (81.28)	3.455 (87.76)
8	8	8	4.524 (114.91)	.350 (8.89)	4.300 (109.22)	4.555 (115.97)
8	2	8	4.524 (114.91)	.050 (1.27)	4.300 (109.22)	4.555 (115.97)

SEE SHEET 1 EC NO: UCP2017-0909 DRAWN: AFENG02 2016/10/26 CHKD: APPR: KLANG 2016/10/28 REV: K3	QUALITY SYMBOLS ▽=0 ▽=0	GENERAL TOLERANCES (UNLESS SPECIFIED) mm INCH 4 PLACES ± --- ± --- 3 PLACES ± --- ± .015 2 PLACES ± 0.38 ± --- 1 PLACE ± --- ± --- ANGULAR ± 1/2°	DIMENSION STYLE IN/MM DRAWN BY DATE JTR 1993/10/18 CHECKED BY DATE JTR 1993/10/18 APPROVED BY DATE RAS 1993/10/18	SCALE 4:1 DESIGN UNITS INCH THIRD ANGLE PROJECTION	TITLE LOW PROFILE GANGED, RIGHT ANGLE MODULAR JACK ASSEMBLY MOLEX MOLEX INCORPORATED MATERIAL NO. SEE SHTS 3 DOCUMENT NO. SDA-43223 SHEET NO. 2 OF 6
	DRAFT WHERE APPLICABLE MUST REMAIN WITHIN DIMENSIONS				
	THIS DRAWING CONTAINS INFORMATION THAT IS PROPRIETARY TO MOLEX INCORPORATED AND SHOULD NOT BE USED WITHOUT WRITTEN PERMISSION				
	I'd_frame_C_P_AM T Rev. E 2006/04/15				

FLUSH MOUNT (UNSHIELDED)						
'X' = NOT TOOLED	ASSEMBLY NUMBER	CONNECTOR SIZE	NUMBER OF CIRCUITS	NUMBER OF PORTS	PACKAGING STYLE	PACKAGING SPECIFICATION
	43223-6001	6	6	2	TRAY	PK-43249-004
X	43223-6004	6	6	3	↑	↑
X	43223-6007	6	6	4		
X	43223-6010	6	6	5		
X	43223-6013	6	6	6		
X	43223-6019	6	6	8		
X	43223-6022	6	4	2		
X	43223-6025	6	4	3		
X	43223-6028	6	4	4		
X	43223-6031	6	4	5		
X	43223-6034	6	4	6		
X	43223-6040	6	4	8		
X	43223-6043	6	2	2		
X	43223-6046	6	2	3		
X	43223-6049	6	2	4		
X	43223-6052	6	2	5		
X	43223-6055	6	2	6	↓	↓
X	43223-6058	6	2	8	TRAY	PK-43249-004

X	43223-8001	8	10	2	TRAY	PK-43249-004
X	43223-8004	8	10	3	↑	↑
X	43223-8007	8	10	4		
X	43223-8010	8	10	5		
X	43223-8013	8	10	6		
X	43223-8019	8	10	8		
X	43223-8022	8	8	2		
X	43223-8025	8	8	3		
X	43223-8028	8	8	4		
X	43223-8031	8	8	5		
X	43223-8034	8	8	6		
X	43223-8040	8	8	8		
X	43223-8041	8	4	5	↓	↓
X	43223-8042	8	6	3	TRAY	PK-43249-004

FLANGELESS (SHIELDED)								
'X' = NOT TOOLED	ASSEMBLY NUMBER	DIMENSION "B"	CONNECTOR SIZE	NUMBER OF CIRCUITS	NUMBER OF PORTS	NUMBER OF REAR SHIELD GROUND TABS	PACKAGING STYLE	PACKAGING SPECIFICATION
	43223-8128	.180	8	8	2	1	TRAY	PK-44150-004
	43223-8146	.180	8	8	4	3	↑	↑
	43223-8164	.180	8	8	6	5		
	43223-8182	.180	8	8	8	7		
	43223-8185	.180	8	8	8	1		
X	43223-8188	.180	8	8	4	1	↓	↓
X	43223-8194	.180	8	2	8	7	TRAY	PK-44150-004

X	43223-8301	.145	8	8	2	1	TRAY	PK-44150-004
X	43223-8302	.145	8	8	4	3	↑	↑
X	43223-8303	.145	8	8	6	5		
X	43223-8304	.145	8	8	8	7		
X	43223-8305	.145	8	8	8	1		
X	43223-8306	.145	8	8	4	1	↓	↓
X	43223-8307	.145	8	2	8	7	TRAY	PK-44150-004

SNAP FIT PEG VERSIONS

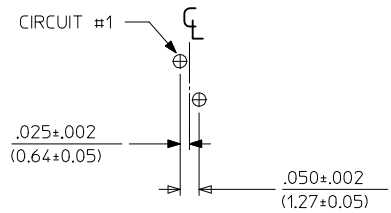
SEE SHEET 1	QUALITY SYMBOLS
EC NO: UCP2017-0909	▽=0
DRWNAFENG02 2016/10/26	▽=0
CHKD: APPR:KLANG	
2016/10/28	
DESCRIPTION	
REV	
K3	

GENERAL TOLERANCES (UNLESS SPECIFIED)	DIMENSION STYLE
	IN/MM
4 PLACES ± --- ± ---	DRAWN BY DATE
3 PLACES ± --- ± .015	JTR 1993/10/18
2 PLACES ± 0.38 ± ---	CHECKED BY DATE
1 PLACE ± --- ± ---	JTR 1993/10/18
ANGULAR ± 1/2°	APPROVED BY DATE
	RAS 1993/10/18
DRAFT WHERE APPLICABLE MUST REMAIN WITHIN DIMENSIONS	MATERIAL NO.
	SEE CHART
	DOCUMENT NO.
	SDA-43223

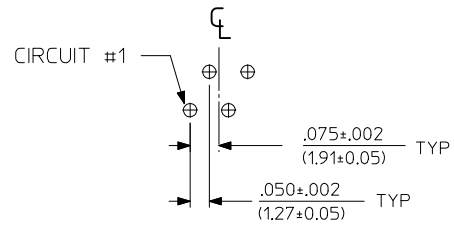
SCALE	DESIGN UNITS	THIRD ANGLE PROJECTION
2:1	INCH	☉
TITLE		
LOW PROFILE GANGED, RIGHT ANGLE MODULAR JACK ASSEMBLY		
MOLEX MOLEX INCORPORATED		
SHEET NO.		3 OF 6
THIS DRAWING CONTAINS INFORMATION THAT IS PROPRIETARY TO MOLEX INCORPORATED AND SHOULD NOT BE USED WITHOUT WRITTEN PERMISSION		

FLANGELESS (UNSHIELDED)						
'X' = NOT TOOLED	ASSEMBLY NUMBER	CONNECTOR SIZE	NUMBER OF CIRCUITS	NUMBER OF PORTS	PACKAGING STYLE	PACKAGING SPECIFICATION
	43223-6101	6	6	2	TRAY	PK-43249-004
X	43223-6104	6	6	3	↑	↑
	43223-6107	6	6	4		
X	43223-6110	6	6	5		
	43223-6113	6	6	6		
X	43223-6119	6	6	8		
	43223-6122	6	4	2		
X	43223-6125	6	4	3		
	43223-6128	6	4	4		
X	43223-6131	6	4	5		
X	43223-6134	6	4	6		
	43223-6140	6	4	8		
X	43223-6143	6	2	2		
X	43223-6146	6	2	3		
X	43223-6149	6	2	4		
X	43223-6152	6	2	5		
	43223-6155	6	2	6	↓	↓
	43223-6158	6	2	8	TRAY	PK-43249-004

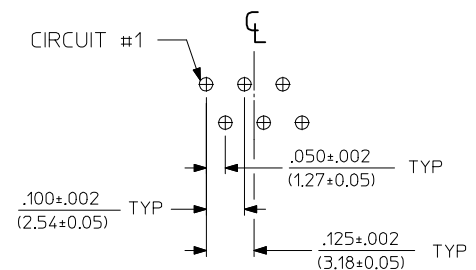
X	43223-8101	8	10	2	TRAY	PK-43249-004
X	43223-8104	8	10	3	↑	↑
X	43223-8107	8	10	4		
X	43223-8110	8	10	5		
X	43223-8113	8	10	6		
X	43223-8119	8	10	8		
	43223-8122	8	8	2		
X	43223-8131	8	8	3		
	43223-8140	8	8	4		
X	43223-8149	8	8	5		
	43223-8158	8	8	6	↓	↓
	43223-8176	8	8	8	TRAY	PK-43249-004
X	43223-8191	8	6	2	TUBE	PK-43249-005
X	43223-8192	8	4	4	TUBE	PK-43249-005
X	43223-8193	8	4	3	TUBE	PK-43249-005
X	43223-8195	8	8	2	TUBE	PK-43249-005
X	43223-8196	8	8	3	TUBE	PK-43249-005
X	43223-8197	8	8	4	TUBE	PK-43249-005



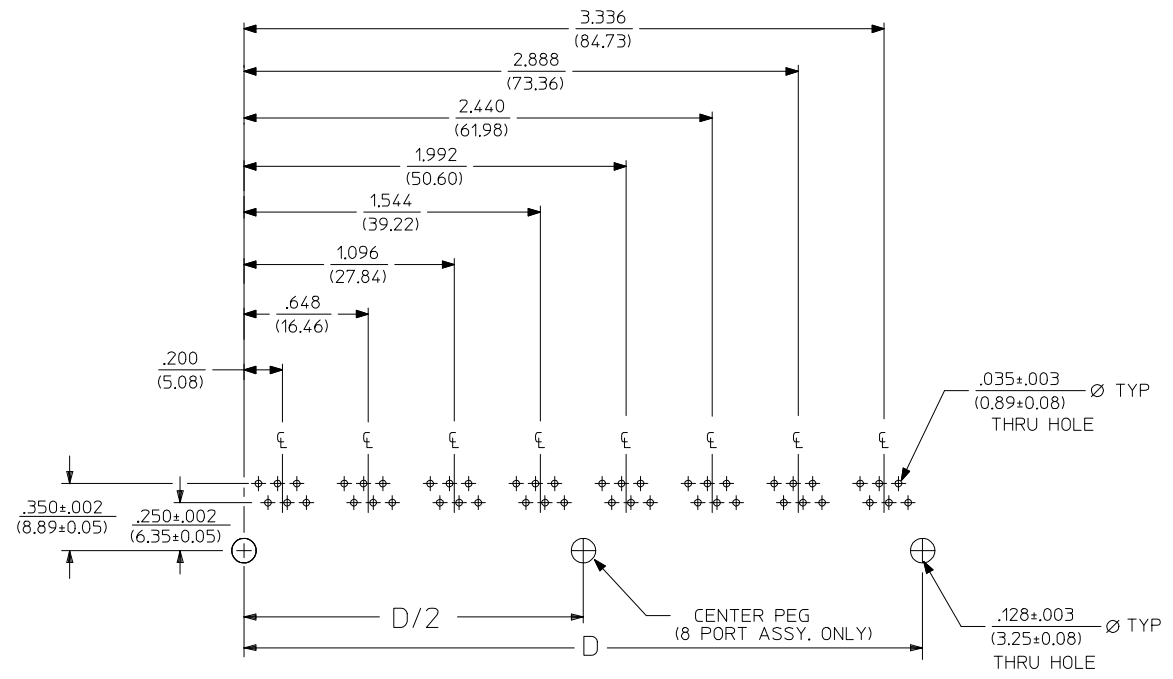
6 LOADED 2 DETAIL
SCALE: 4/1



6 LOADED 4 DETAIL
SCALE: 4/1



6 LOADED 6 DETAIL
SCALE: 4/1

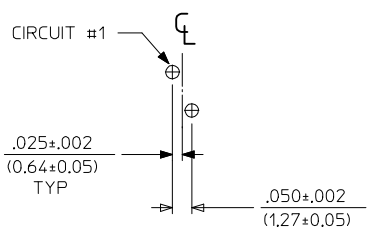


SUGGESTED P.C. BOARD LAYOUT
COMPONENT SIDE OF BOARD
8 PORT, 6 LOADED 6, LAYOUT SHOWN
(SNAP-FIT VERSIONS)

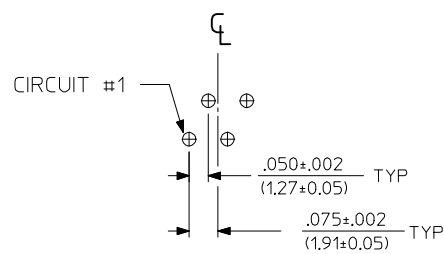
NOTES:
1. RECOMMENDED PCB THICKNESS: .062±.005/(1.57±0.13)

NUMBER OF PORTS	DIM. D
2	.848 (21.54)
3	1.296 (32.92)
4	1.744 (44.30)
5	2.192 (55.68)
6	2.640 (67.06)
8	3.536 (89.81)

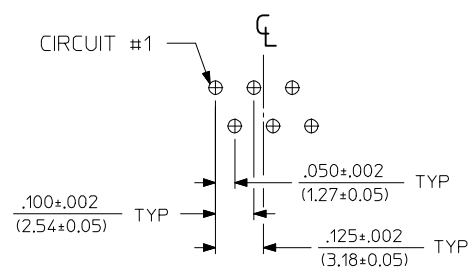
SEE SHEET 1 EC NO: UCP2017-0909 DRW: WAFENG02 2016/10/26 CHKD: APPR: KLANG REV: K3	QUALITY SYMBOLS ▽=0 ▽=0	GENERAL TOLERANCES (UNLESS SPECIFIED) <table border="1"> <thead> <tr> <th></th> <th>mm</th> <th>INCH</th> </tr> </thead> <tbody> <tr> <td>4 PLACES</td> <td>± .15</td> <td>± .005</td> </tr> <tr> <td>3 PLACES</td> <td>± .10</td> <td>± .004</td> </tr> <tr> <td>2 PLACES</td> <td>± 0.38</td> <td>± .015</td> </tr> <tr> <td>1 PLACE</td> <td>± .75</td> <td>± .030</td> </tr> </tbody> </table>		mm	INCH	4 PLACES	± .15	± .005	3 PLACES	± .10	± .004	2 PLACES	± 0.38	± .015	1 PLACE	± .75	± .030	DIMENSION STYLE IN/MM	SCALE 2:1	DESIGN UNITS INCH	THIRD ANGLE PROJECTION
		mm	INCH																		
	4 PLACES	± .15	± .005																		
	3 PLACES	± .10	± .004																		
2 PLACES	± 0.38	± .015																			
1 PLACE	± .75	± .030																			
DRAWN BY DATE JTR 1993/10/18		CHECKED BY DATE JTR 1993/10/18		TITLE LOW PROFILE GANGED, RIGHT ANGLE MODULAR JACK ASSEMBLY																	
APPROVED BY DATE RAS 1993/10/18		MATERIAL NO. SEE SHT 3		DOCUMENT NO. SDA-43223		SHEET NO. 4 OF 6															
DRAFT WHERE APPLICABLE MUST REMAIN WITHIN DIMENSIONS																					



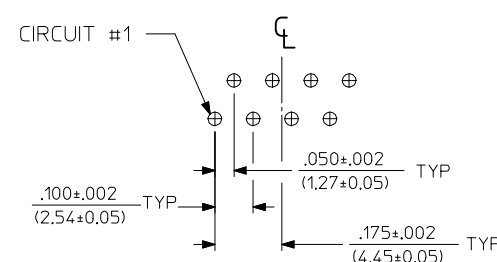
8 LOADED 2 DETAIL
SCALE: 4/1



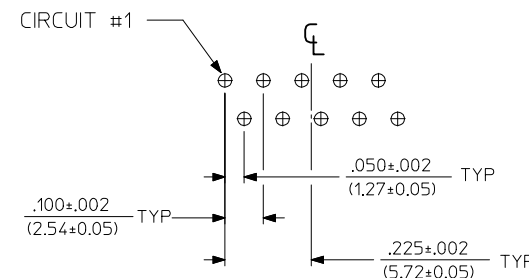
8 LOADED 4 DETAIL
SCALE: 4/1



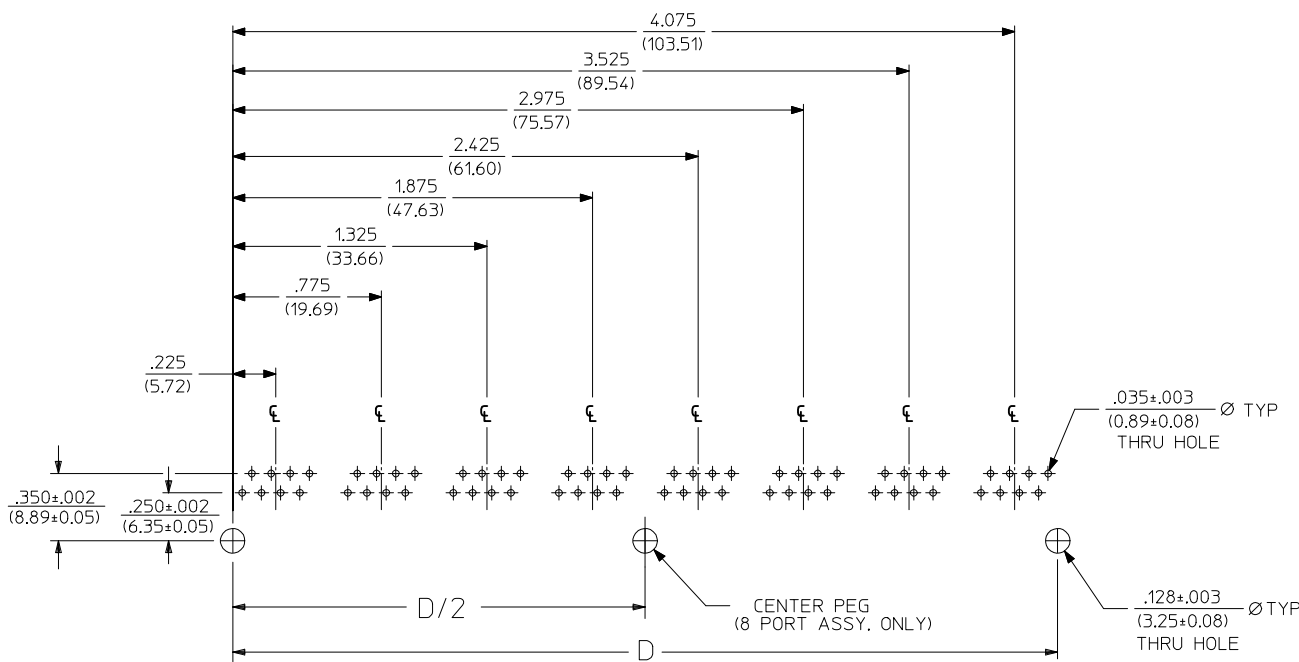
8 LOADED 6 DETAIL
SCALE: 4/1



8 LOADED 8 DETAIL
SCALE: 4/1



8 LOADED 10 DETAIL
SCALE: 4/1



SUGGESTED P.C. BOARD LAYOUT
COMPONENT SIDE OF BOARD
8 PORT, 8 LOADED 8
(SNAP-FIT VERSIONS)

NOTES:
1. RECOMMENDED PCB THICKNESS: .062±.005/(1.57±0.13)

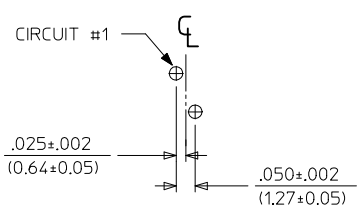
NUMBER OF PORTS	DIM. D
2	1.000 (25.40)
3	1.550 (39.37)
4	2.100 (53.34)
5	2.650 (67.31)
6	3.200 (81.28)
8	4.300 (109.32)

SEE SHEET 1	QUALITY SYMBOLS
EC NO: UCP2017-0909	▽=0
DRWN:AFENG02 2016/10/26	▽=0
CHKD:	
APPR:KLANG 2016/10/28	
REV	
K3	

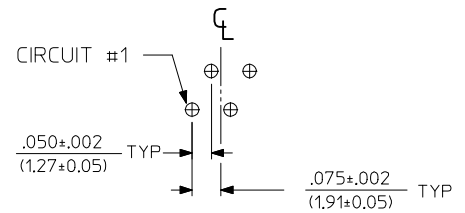
GENERAL TOLERANCES (UNLESS SPECIFIED)	
mm	INCH
4 PLACES ± ---	± ---
3 PLACES ± ---	± .015
2 PLACES ± 0.38	± ---
1 PLACE ± ---	± ---
ANGULAR ±1/2°	
DRAFT WHERE APPLICABLE MUST REMAIN WITHIN DIMENSIONS	

DIMENSION STYLE	
IN/MM	
DRAWN BY	DATE
JTR	1993/10/18
CHECKED BY	DATE
JTR	1993/10/18
APPROVED BY	DATE
RAS	1993/10/18
MATERIAL NO.	
SEE SHT 3	
SIZE	

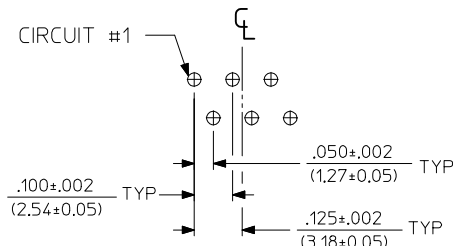
SCALE	DESIGN UNITS	THIRD ANGLE PROJECTION
2:1	INCH	
TITLE		
LOW PROFILE GANGED, RIGHT ANGLE MODULAR JACK ASSEMBLY		
MOLEX MOLEX INCORPORATED		
MATERIAL NO.	DOCUMENT NO.	SHEET NO.
SEE SHT 3	SDA-43223	5 OF 6
THIS DRAWING CONTAINS INFORMATION THAT IS PROPRIETARY TO MOLEX INCORPORATED AND SHOULD NOT BE USED WITHOUT WRITTEN PERMISSION		



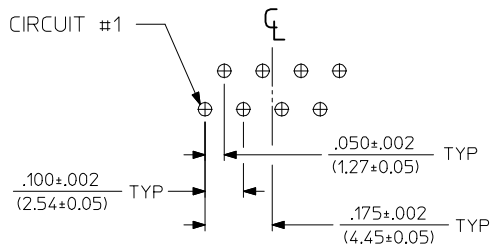
8 LOADED 2 DETAIL
SCALE: 4/1



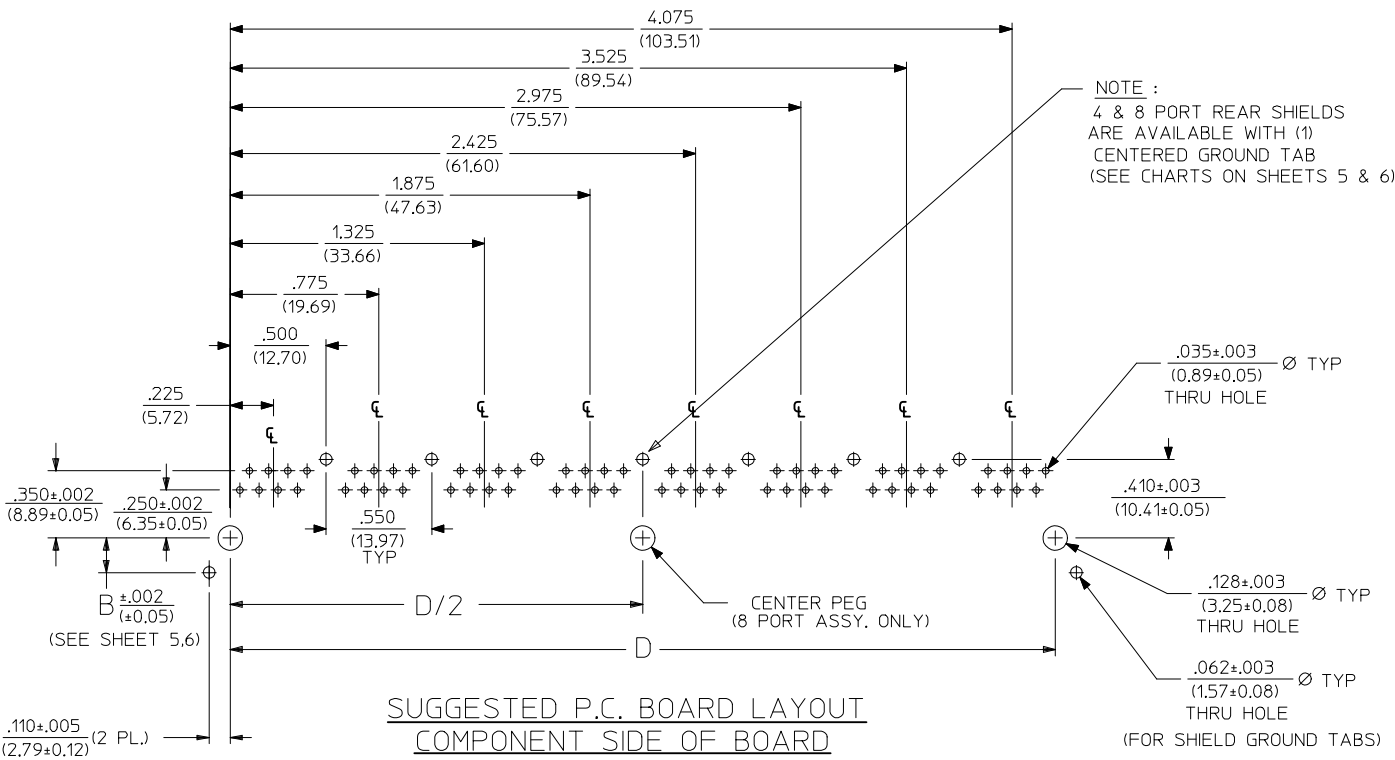
8 LOADED 4 DETAIL
SCALE: 4/1



8 LOADED 6 DETAIL
SCALE: 4/1



8 LOADED 8 DETAIL
SCALE: 4/1



NOTE:
4 & 8 PORT REAR SHIELDS
ARE AVAILABLE WITH (1)
CENTERED GROUND TAB
(SEE CHARTS ON SHEETS 5 & 6)

SUGGESTED P.C. BOARD LAYOUT
COMPONENT SIDE OF BOARD
8 PORT, 8 LOADED 8
(SHIELDED) LAYOUT SHOWN
(SNAP-FIT VERSIONS)

NOTES:
1. RECOMMENDED PCB THICKNESS: .062±.005/(1.57±0.13)

NUMBER OF PORTS	DIM. D
2	1.000 (25.40)
4	2.100 (53.34)
6	3.200 (81.28)
8	4.300 (109.32)

SEE SHEET 1 EC NO: UCP2017-0909 DRAWN: AFENG02 2016/10/26 CHKD: CHPPR: KLANG 2016/10/28 APPR: KLANG	QUALITY SYMBOLS ▽=0 ▽=0	GENERAL TOLERANCES (UNLESS SPECIFIED) <table border="1"> <thead> <tr> <th></th> <th>mm</th> <th>INCH</th> </tr> </thead> <tbody> <tr> <td>4 PLACES</td> <td>± .---</td> <td>± .---</td> </tr> <tr> <td>3 PLACES</td> <td>± .---</td> <td>± .015</td> </tr> <tr> <td>2 PLACES</td> <td>± 0.38</td> <td>± .---</td> </tr> <tr> <td>1 PLACE</td> <td>± .---</td> <td>± .---</td> </tr> </tbody> </table>		mm	INCH	4 PLACES	± .---	± .---	3 PLACES	± .---	± .015	2 PLACES	± 0.38	± .---	1 PLACE	± .---	± .---	DIMENSION STYLE IN/MM	SCALE 2:1	DESIGN UNITS INCH	THIRD ANGLE PROJECTION
		mm	INCH																		
	4 PLACES	± .---	± .---																		
	3 PLACES	± .---	± .015																		
2 PLACES	± 0.38	± .---																			
1 PLACE	± .---	± .---																			
DRAFT WHERE APPLICABLE MUST REMAIN WITHIN DIMENSIONS		MATERIAL NO. SEE SHT 3	DRAWN BY JTR	DATE 1993/10/18	TITLE LOW PROFILE GANGED, RIGHT ANGLE MODULAR JACK ASSEMBLY																
SIZE C		APPROVED BY RAS		DATE 1993/10/18	MOLEX MOLEX INCORPORATED																
REV K3		THIS DRAWING CONTAINS INFORMATION THAT IS PROPRIETARY TO MOLEX INCORPORATED AND SHOULD NOT BE USED WITHOUT WRITTEN PERMISSION		DOCUMENT NO. SDA-43223	SHEET NO. 6 OF 6																