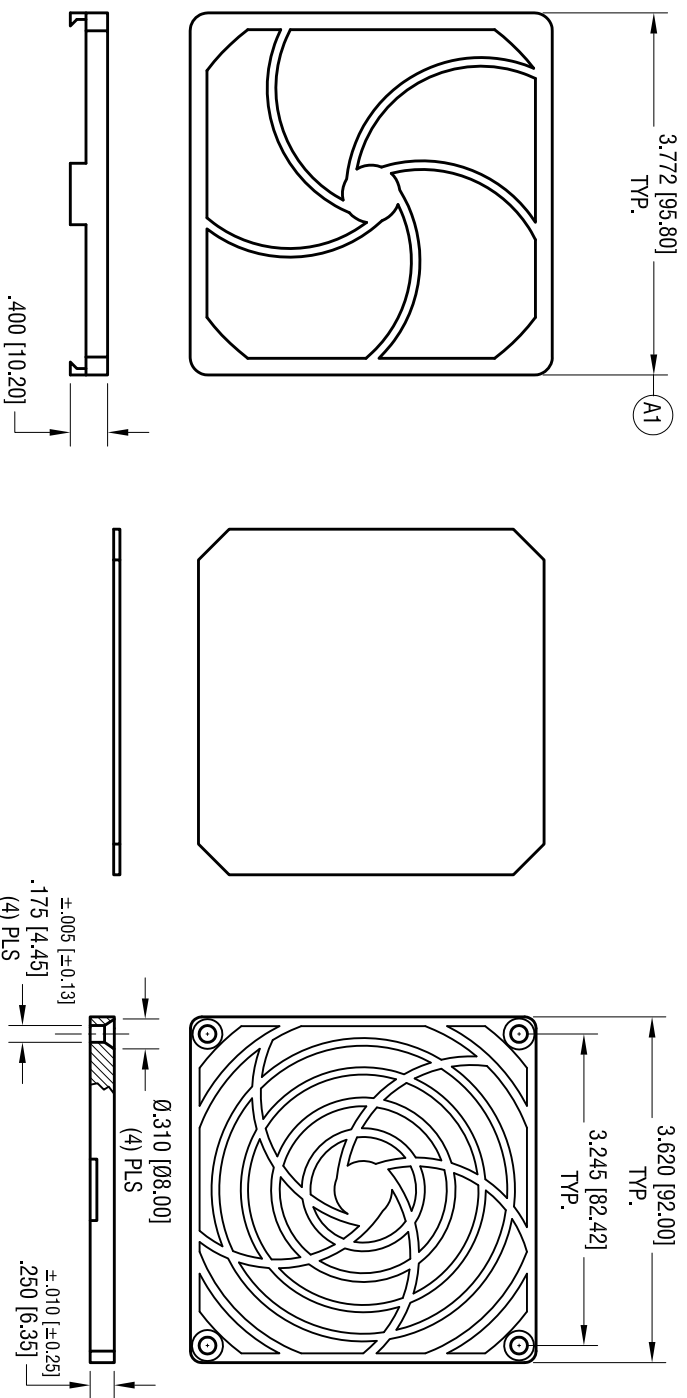
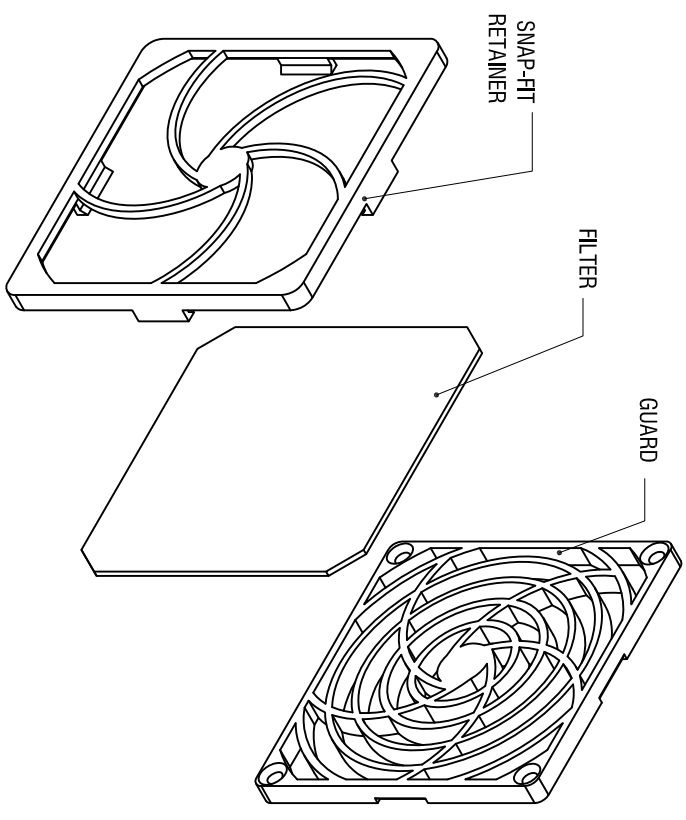


DATE	DESCRIPTION	REV.
3.22.21	CHANGE AS PER ECN 21-027	A
(A1)	WAS 3.625	



NOTES:

1. RETAINER: MAT'L - ABS UL 94V-0
2. MEDIA: MAT'L - POLYURETHANE FOAM
3. GUARD: MAT'L - ABS UL 94V-0

THIS DOCUMENT IS THE PROPERTY OF KEYSTONE ELECTRONICS CORP. AND SHALL NOT BE REPRODUCED, DISTRIBUTED OR USED AS A BASIS FOR MANUFACTURE WITHOUT PRIOR WRITTEN PERMISSION FROM KEYSTONE ELECTRONICS CORP.

KEYSTONE ELECTRONICS CORP.			
www.keystoneco.com • NEW HYDE PARK, NY 11040 • Tel (516) 328-7500			
PART NAME			
STANDARD FAN GUARD ASSEMBLY			
MATERIAL			
AS NOTED			
FINISH	NONE		
TOLERANCES	INCH	[MM]	
DECIMAL	± .015	[± 0.38]	
ANGULAR	± 1°		
	CODE	DWG NO.	
	C	8459	
DRN BY	BOONE	DATE	5.26.00
APP'D	RH	SCALE	.7X