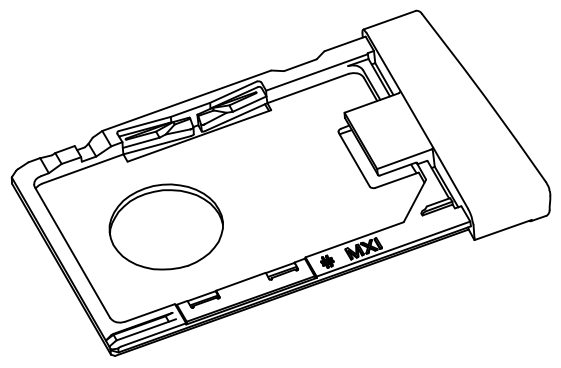
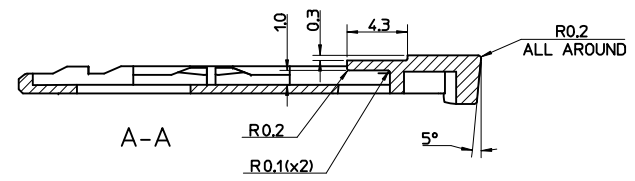
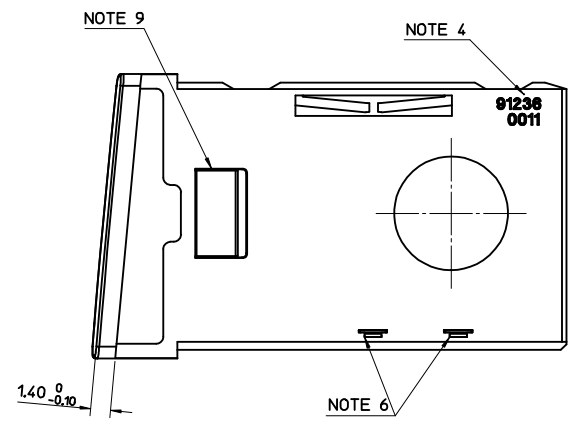
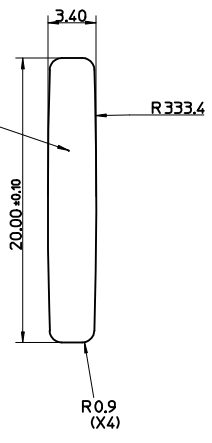
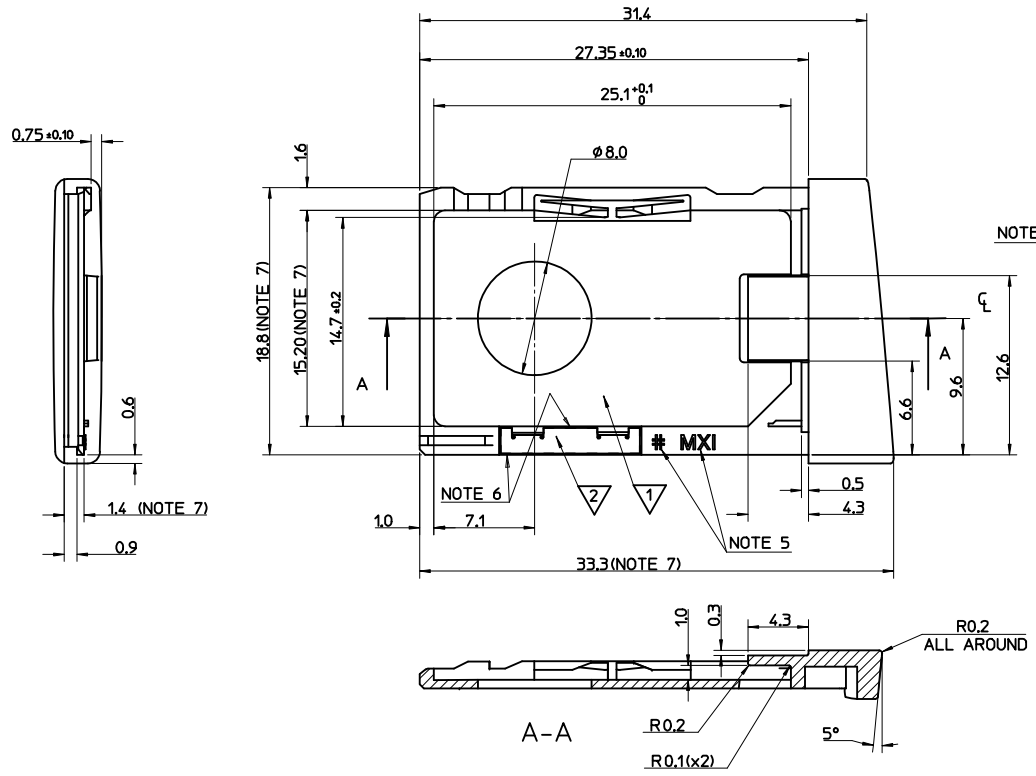


ITEM	COMPONENT	QTY	MATERIAL
▽1	HOUSING	1	POLYESTER (PBT). 30% GLASS FILL, UL-94 V-0 COLOUR BLACK.
▽2	TERMINAL	1	PHOSPHOR BRONZE, Au IN CONTACT AREA.



- NOTES:
1. PROTRUSION OF BRIDGE TERMINAL FROM HOUSING IS 0.08 MAX.
  2. SEE PRODUCT SPECIFICATION PS-99020-0071.
  3. PACKAGING LOOSE IN BAG.
  4. PART I.D. TO BE 0.8 HIGH & RELIEVED 0.1 BELOW SURFACE.
  5. MOLEX LOGO 'MXI' & CAVITY NUMBER '#' TO BE 1.0 HIGH & RAISED 0.1 MAX.
  6. BRIDGE TERMINAL MUST NOT PROTRUDE BEYOND EDGES SHOWN.
  7. APPLICABLE DIMENSIONS FOR PROCESS CAPABILITY STUDY.
  8. SURFACE FINISH: CHARMILLE 27.
  9. UNSPECIFIED DRAFT 5°

<b>ORIGINAL RELEASE</b> EC NO: E2003-00280 DRWN: DCARTON 2002/12/11 CHKD: 2002/12/13 APPR: MWILHITE 2002/12/16	QUALITY SYMBOLS ▽-0 ◻-0	GENERAL TOLERANCES (UNLESS SPECIFIED)		SCALE <b>4:1</b>	DESIGN UNITS <b>METRIC</b>	THIRD ANGLE PROJECTION	REVISE ON CAD ONLY	
		4 PLACES ± --- ± --- 3 PLACES ± --- ± --- 2 PLACES ± 0.10 ± --- 1 PLACE ± 0.2 ± ---	mm    INCH	DIMENSION STYLE <b>MM ONLY</b>		TITLE <b>CARD HOLDER</b>		
		ANGULAR ± 3°		DRAWN BY FDUGGAN	DATE 2002/09/05	MATERIAL NO. <b>912360011</b>		
DRAFT WHERE APPLICABLE MUST REMAIN WITHIN DIMENSIONS	APPROVED BY MWILHITE		DATE 2002/09/05	DOCUMENT NO. <b>SD-91236-009</b>	SHEET NO. 1 OF 1	THIS DRAWING CONTAINS INFORMATION THAT IS PROPRIETARY TO MOLEX INCORPORATED AND SHOULD NOT BE USED WITHOUT WRITTEN PERMISSION		