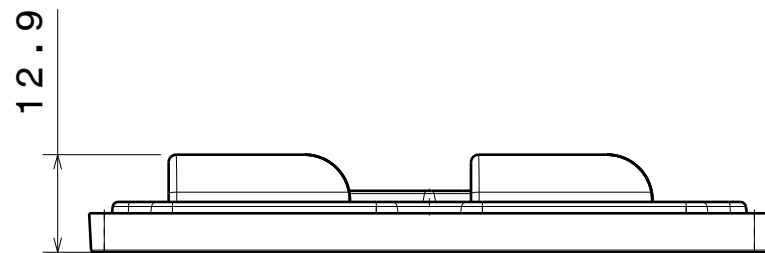
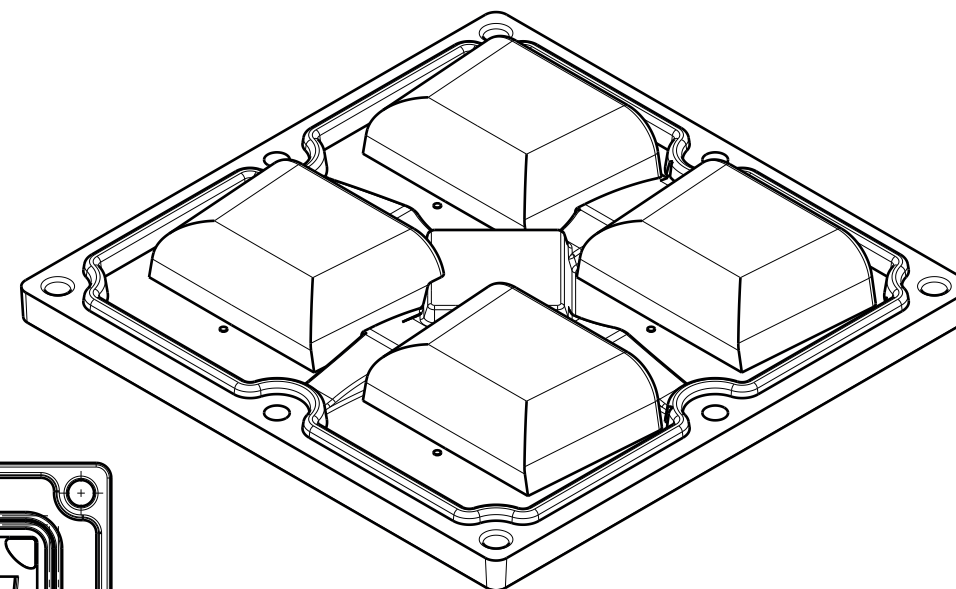


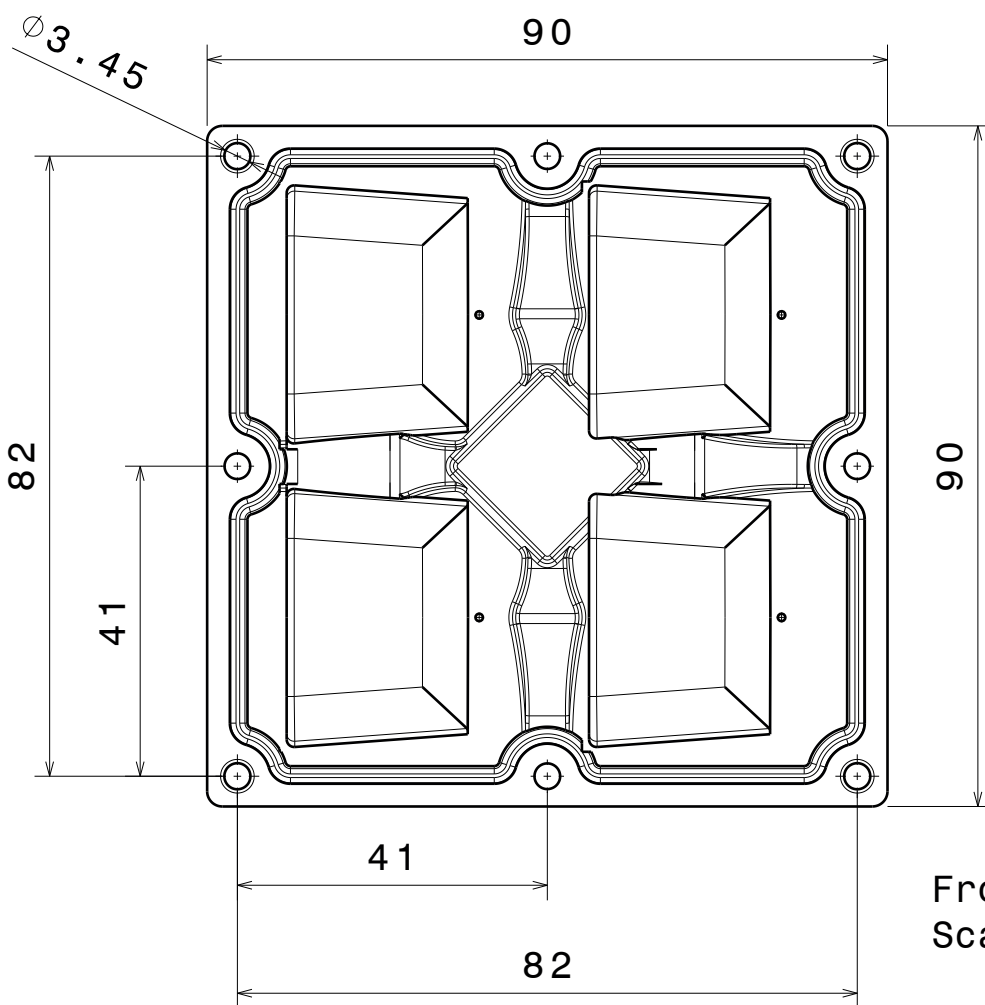
2X2^{mx}



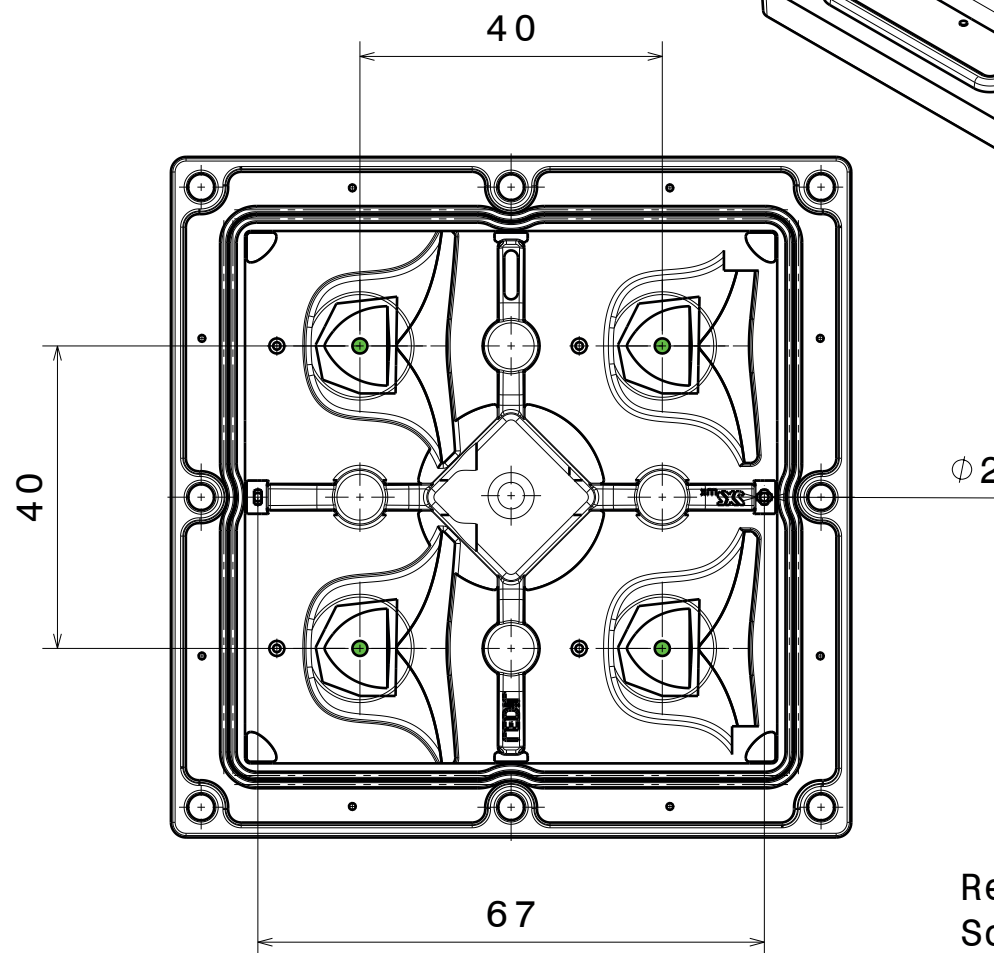
Bottom view
Scale: 1:1



Isometric view
Scale: 1:1



Front view
Scale: 1:1



Rear view
Scale: 1:1

INDEX	PART NO	DESCRIPTION	MATERIAL	COLOUR
1	C15760	STRADA-2X2MX-8-SCL	PMMA	
	C15757	STRADA-2X2MX-8-SEAL	Silicone	

Plastic moulding general tolerances according to DIN 16901-130 and applies if not otherwise shown in the drawing.
Silicone moulding general tolerances according to ISO 3302-1 Class M3 and applies if not otherwise shown in the drawing.

LEDiL Ledil Oy
Salorankatu 10
FIN 24240 SALO
Finland

THIRD ANGLE PROJECTION:

DRAWING TITLE
CS15761_STRADA-2X2MX-8-SCL

This drawing is the property of LEDiL Oy. It may not be reproduced, copied or communicated without a written agreement with LEDiL Oy.

SIZE PART NUMBER
A3 CS15761

SCALE 1:1 WEIGHT 44,6 g SHEET 1/1