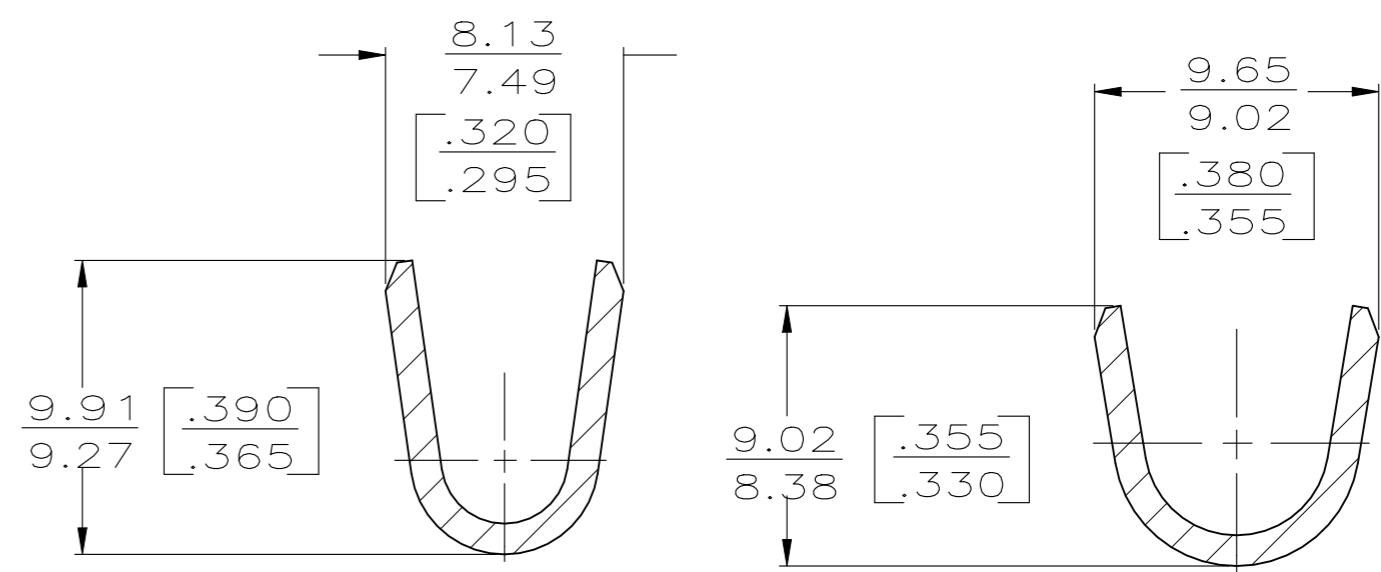
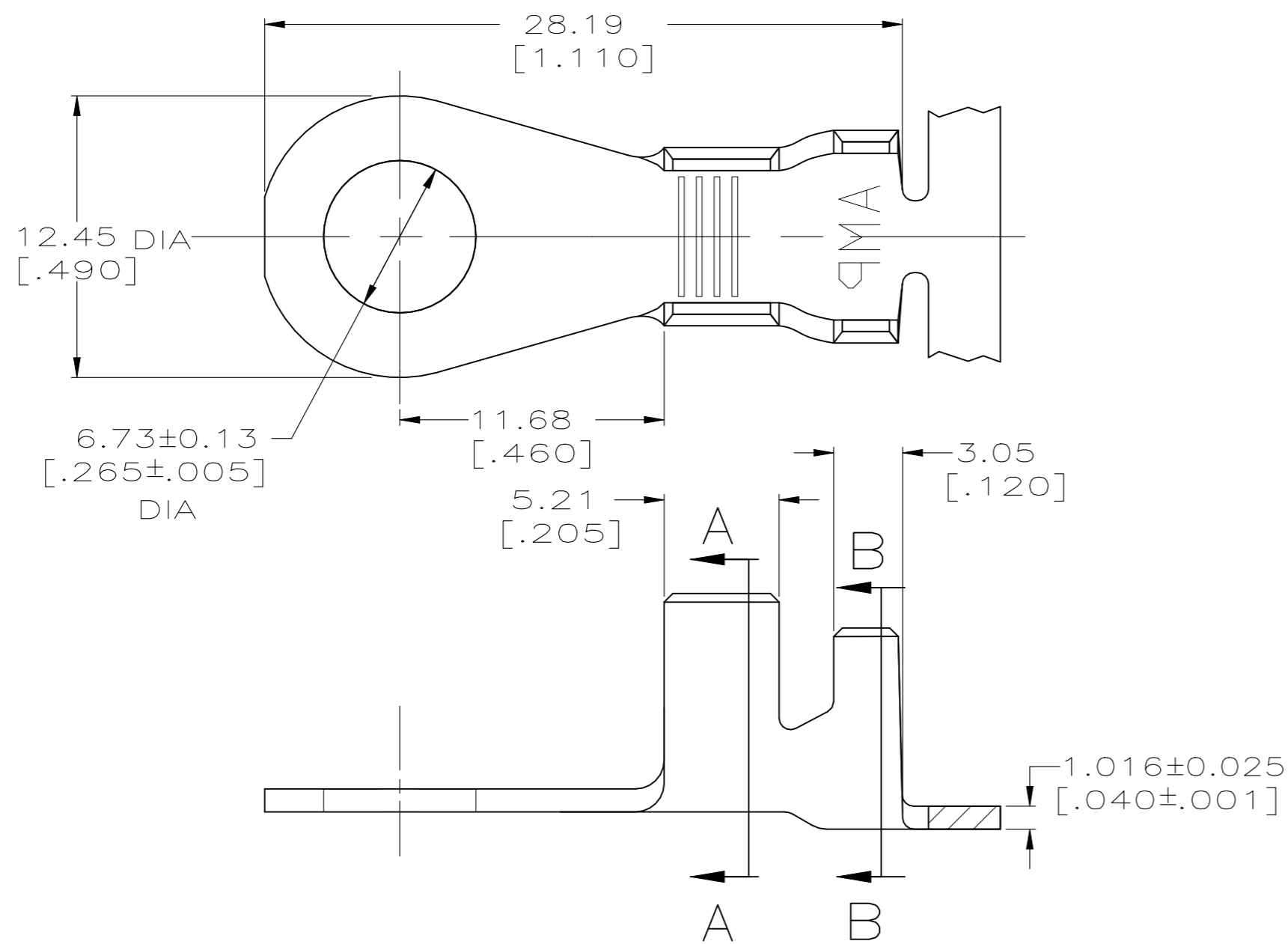


THIS DRAWING IS UNPUBLISHED. RELEASED FOR PUBLICATION  
 © COPYRIGHT - TE Connectivity ALL RIGHTS RESERVED.

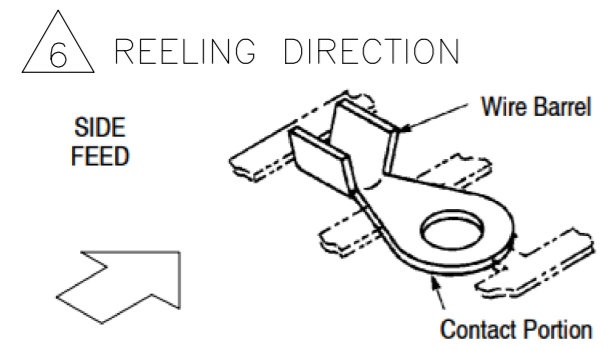
REVISIONS				
P	LTR	DESCRIPTION	DATE	APVD
M2		REVISED PER ECR-23-174207	09MAY2023	DB RE

- 1 CONTINUOUS STRIP ON REEL.
- 2 0.002032 [.000080] MIN TIN PL PER MIL-T-10727 OVER 0.001270 [.000050] MIN NICKEL PL PER QQ-N-290.
- 3 REELED OPPOSITE DIRECTION OF -1 P/N.
- 4 REELED WITH INTERLEAVING PAPER.
- 5 PRELIMINARY - NOT FOR PRODUCTION.



SECTION A-A SECTION B-B

4 3	2			5	61868-7
3	2			5	61868-6
4 3	TIN			5	61868-5
3	TIN				61868-4
OBSOLETE	2	3.68-7.37 [.145-.290] DIA	5.0-15.0mm <sup>2</sup> [10-6] AWG		61868-2
	TIN			6	61868-1
	FINISH	INSULATION RANGE	WIRE RANGE		PART NO



F OR O	8.64 [.340]	6.73 [.265]	F	7.11 [.280]	4.70 [.185]	15.0mm <sup>2</sup> [6]	THIS DRAWING IS A CONTROLLED DOCUMENT.	DWN P FORTNEY 7/25/91																			
					4.14 [.163]	8.0mm <sup>2</sup> [8]		CHK JR RUTH 7/25/91																			
					3.78 [.149]	5.0mm <sup>2</sup> [10]		APVD D DECKER 7/25/91																			
TYPE	WIDTH	STRIP LENGTH ±0.38 [±.015]	TYPE	WIDTH	HEIGHT	WIRE	<table border="0"> <tr><td>0 PLC</td><td>±</td><td>-</td></tr> <tr><td>1 PLC</td><td>±</td><td>-</td></tr> <tr><td>2 PLC</td><td>±</td><td>0.25 [.010]</td></tr> <tr><td>3 PLC</td><td>±</td><td>-</td></tr> <tr><td>4 PLC</td><td>±</td><td>-</td></tr> <tr><td>ANGLES</td><td>±</td><td>-</td></tr> </table>	0 PLC	±	-	1 PLC	±	-	2 PLC	±	0.25 [.010]	3 PLC	±	-	4 PLC	±	-	ANGLES	±	-	NAME	RING
0 PLC	±	-																									
1 PLC	±	-																									
2 PLC	±	0.25 [.010]																									
3 PLC	±	-																									
4 PLC	±	-																									
ANGLES	±	-																									
INSUL BARREL CRIMP			WIRE BARREL CRIMP				MATERIAL 082 BRASS	FINISH SEE TABLE	<table border="0"> <tr><td>SIZE</td><td>CAGE CODE</td><td>DRAWING NO</td><td>RESTRICTED TO</td></tr> <tr><td>A2</td><td>00779</td><td>C-61868</td><td>-</td></tr> </table>	SIZE	CAGE CODE	DRAWING NO	RESTRICTED TO	A2	00779	C-61868	-										
SIZE	CAGE CODE	DRAWING NO	RESTRICTED TO																								
A2	00779	C-61868	-																								
CUSTOMER DRAWING								WEIGHT 0.000000	SCALE 4:1	SHEET 1 OF 1	REV M2																