



# User Guide

## EVB-ATEK254N3-01

---

Document Code : 023-01004201  
Revision No : 03  
Revision Date : 16/04/2022

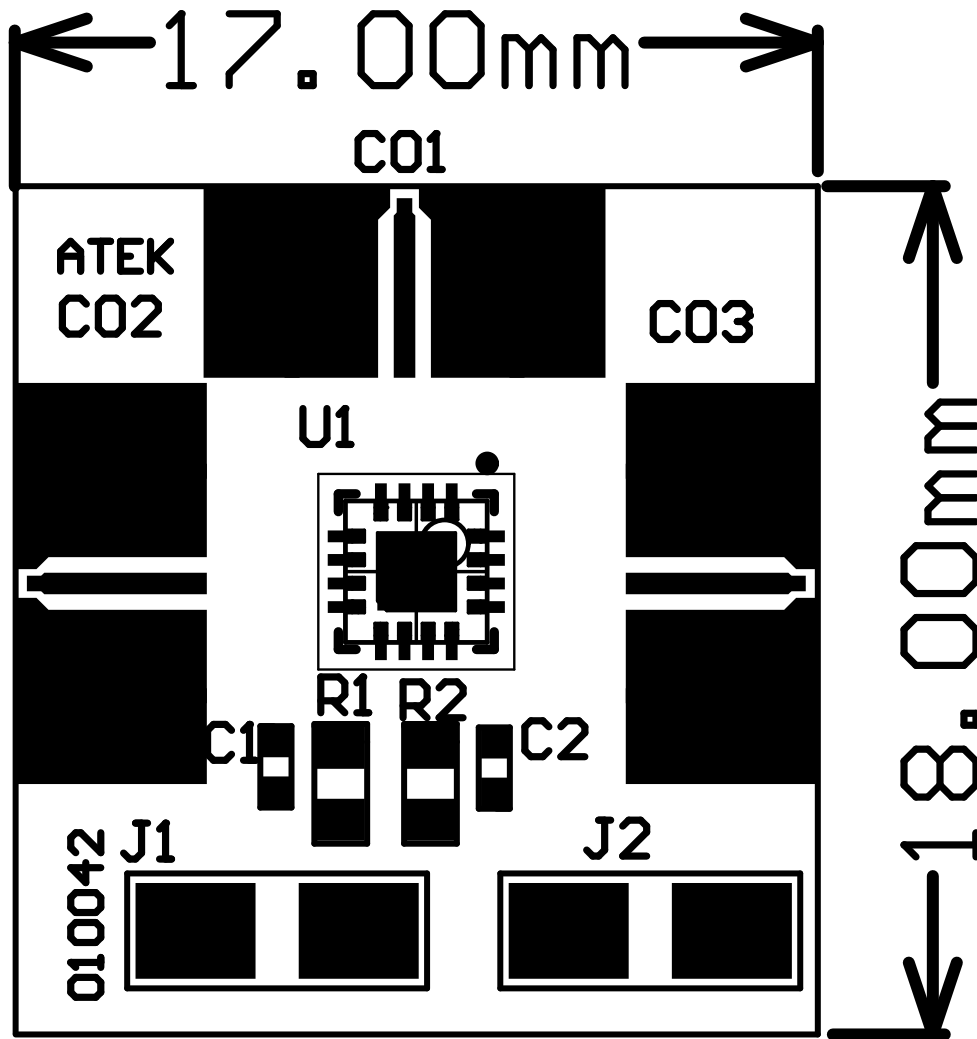
**Revisions**

| Revision No | Revision Date | Revision Reason          | Section / Page No |
|-------------|---------------|--------------------------|-------------------|
| 1.0         | 08.07.2021    | Initial Version          |                   |
| 1.1         | 08.01.2022    | Format and Content Fixed |                   |
| 1.2         | 16.04.2022    | Format and Content Fixed |                   |

**INDEX**

|            |                                       |          |
|------------|---------------------------------------|----------|
| <b>1</b>   | <b>GENERAL INFORMATION .....</b>      | <b>3</b> |
| <b>2</b>   | <b>DESIGN INFORMATION.....</b>        | <b>4</b> |
| <b>2.1</b> | <b>SCHEMATIC.....</b>                 | <b>4</b> |
| <b>2.2</b> | <b>BOM .....</b>                      | <b>4</b> |
| <b>3</b>   | <b>TYPICAL PERFORMANCE PLOTS.....</b> | <b>5</b> |

1 GENERAL INFORMATION



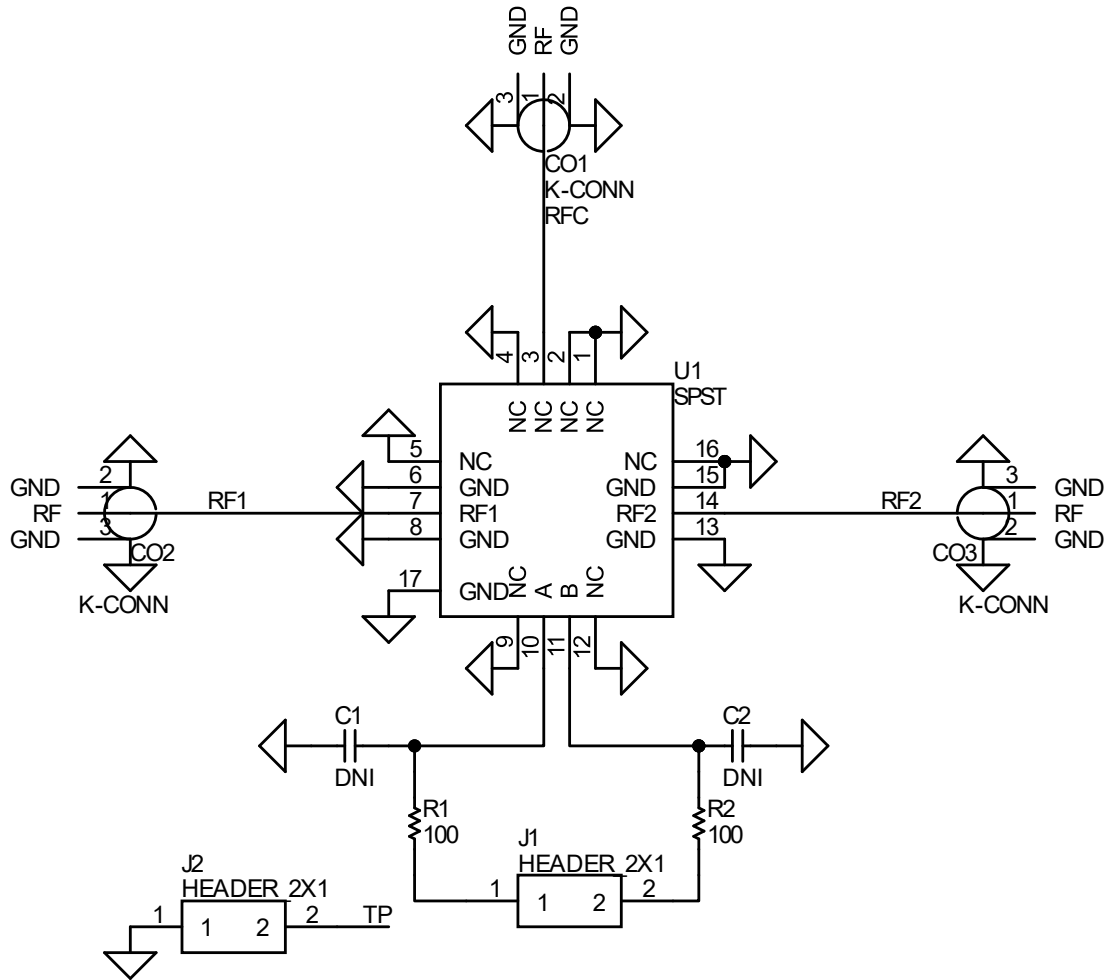
| PIN Name | Definition | Comment       |
|----------|------------|---------------|
| C01      | N/A        | K Connector   |
| C02      | RF IN      | K Connector   |
| C03      | RF OUT     | K Connector   |
| J1 Left  | CTRL A     | 2.54mm Header |
| J1 Right | CTRL B     | 2.54mm Header |
| J2 Left  | N/A        | 2.54mm Header |
| J2 Right | GND        | 2.54mm Header |

Notes:

1. VDD Voltage is detailed in Datasheet.
2. Control Voltage is detailed in Datasheet.
3. The definition of up, down, right, and left is valid for this view of PCB.

2 DESIGN INFORMATION

2.1 SCHEMATIC



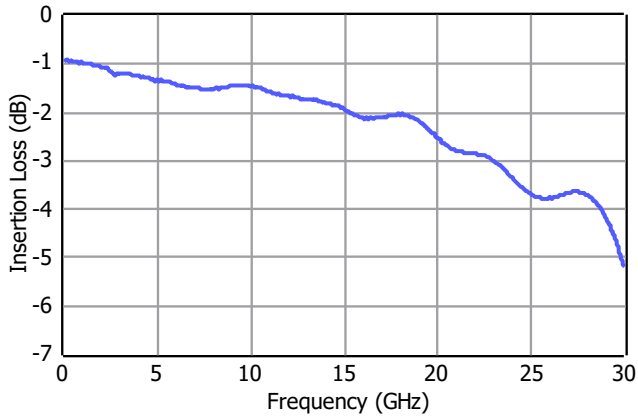
2.2 BOM

| Designator      | Footprint   | Qty | Comment     | PN        |
|-----------------|-------------|-----|-------------|-----------|
| <b>C1, C2</b>   | 0402        | 2   | DNP         |           |
| <b>CO1</b>      | K Connector | 1   | DNP         |           |
| <b>CO2, CO3</b> | K Connector | 2   | K Connector |           |
| <b>J1, J2</b>   | 2x1 Header  | 2   | 2x1 Header  |           |
| <b>R1, R2</b>   | 0603        | 2   | OR          |           |
| <b>U1</b>       | ATEKQ3316   | 1   | SPST        | ATEK254N3 |

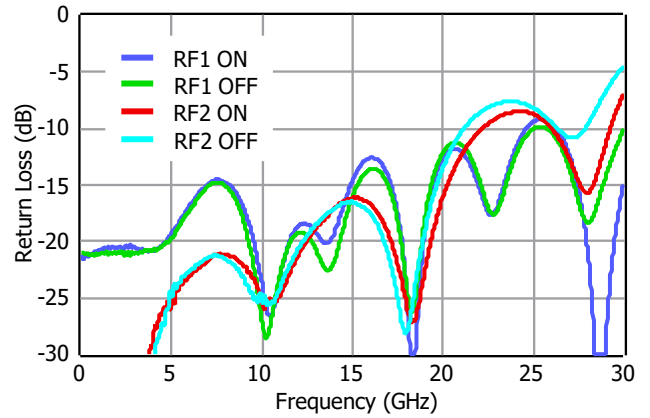
3 TYPICAL PERFORMANCE PLOTS

Conditions unless otherwise specified:  $V_{CTRL} = 0/-5$  V,  $T = 25$  C, CW. For details, please refer to the datasheet.

Insertion Loss



Return Loss



Isolation from RF1 to RF2

